

# INTEGRATED CONNECTOR MODULES

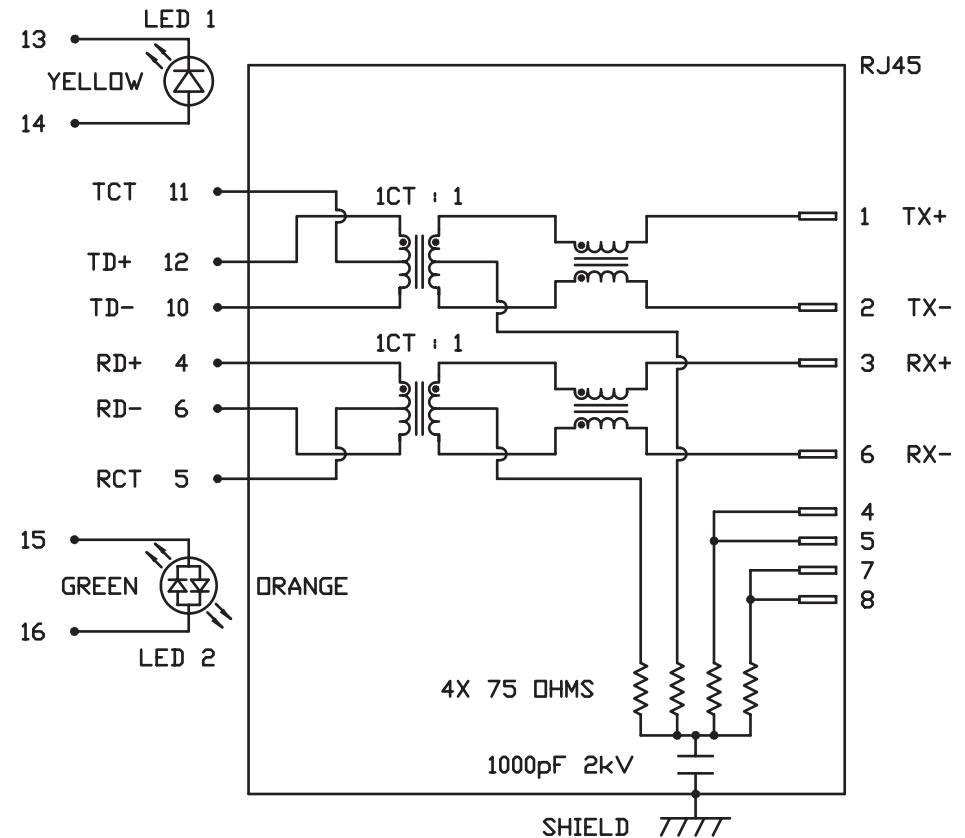
## L829-1X1T-91 10/100Base-TX Ultra Low Profile MagJack®



LED1 POLARITY			LED2 POLARITY		
PIN 13	PIN 14	COLOR	PIN 15	PIN 16	COLOR
-	+	YELLOW	-	+	GREEN
			+	-	ORANGE

### ELECTRICAL CHARACTERISTICS @ 25°C

TURNS RATIO		
TX		1CT : 1
RX		1CT : 1
OCL @ 100kHz/100mVRMS		(0-70°C)
8mA DC BIAS		350µH MIN.
INS. LOSS		
0.1MHz TO 1MHz		-1.1 dB MAX
1MHz TO 65MHz		-0.5 dB MAX
65MHz TO 100MHz		-0.8 dB MAX
100MHz TO 125MHz		-1.2 dB MAX
RET. LOSS (MIN)	@ 100 OHMS	+/- 15%
0.5MHz-40MHz		-18 dB
40MHz-100MHz		-12+20LOG(f/80MHz) dB
CM TO CM REJ		
100kHz - 100MHz		-30 dB MIN
CM TO DM REJ		
100kHz - 100MHz		-35 dB MIN
HIPOT (Isolation Voltage):		1500 Vrms or 2250 VDC
100% OF PRODUCT TESTED IN PRODUCTION		
LED 1		
V <sub>F</sub> (FORWARD VOLTAGE)	IF=20mA	YELLOW 2.1V TYP.
λ <sub>D</sub> (DOMINANT WAVELENGTH)	IF=20mA	YELLOW 590nm TYP.
LED 2		
V <sub>F</sub> (FORWARD VOLTAGE)	IF=20mA	GREEN 2.2V TYP.
		ORANGE 2.0V TYP.
λ <sub>D</sub> (DOMINANT WAVELENGTH)	IF=20mA	GREEN 565nm TYP.
		ORANGE 610nm TYP.

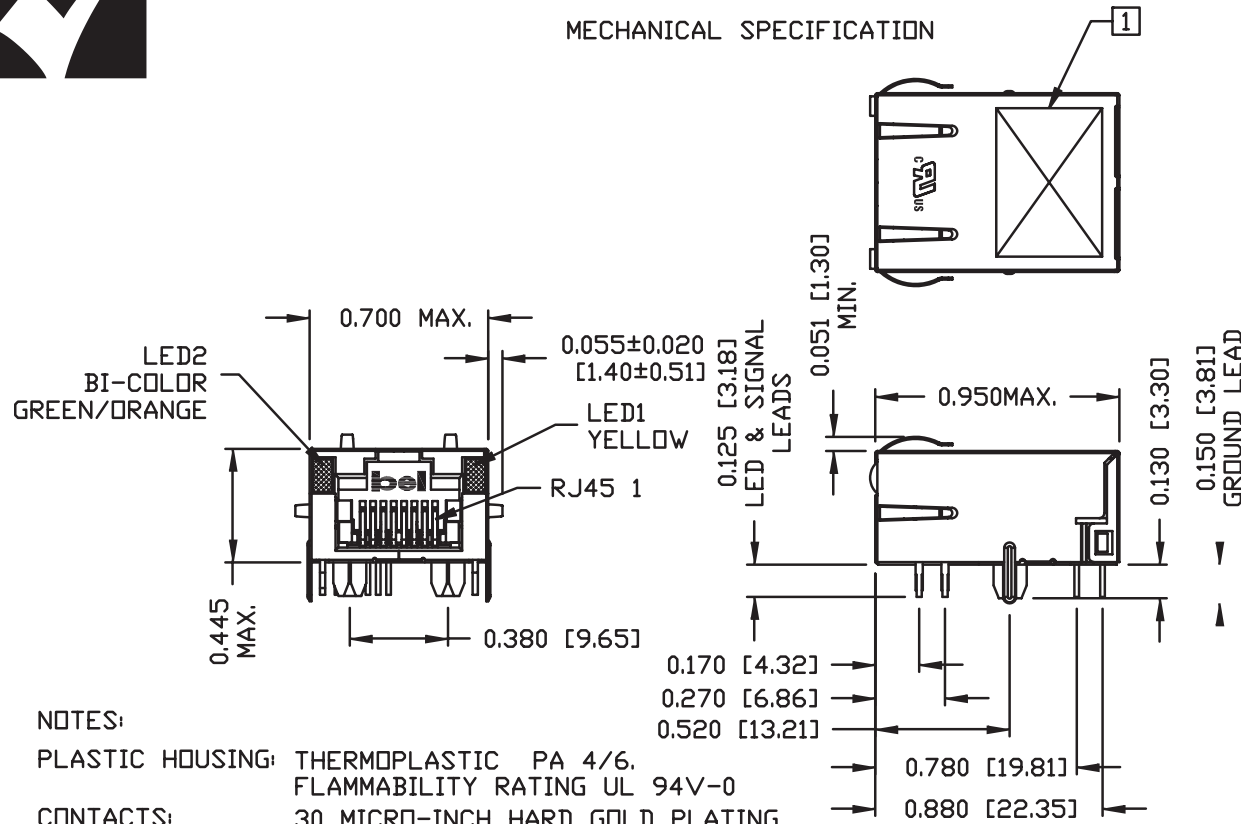


# INTEGRATED CONNECTOR MODULES

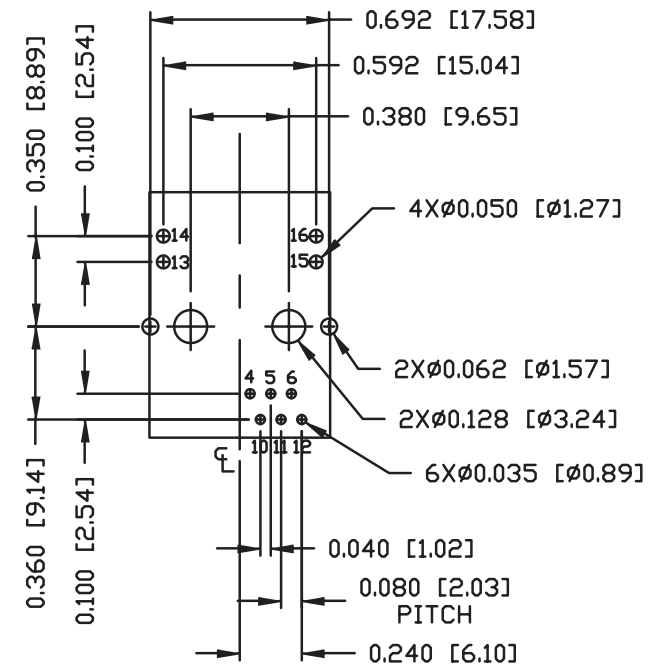
## L829-1X1T-91 10/100Base-TX Ultra Low Profile MagJack®



### MECHANICAL SPECIFICATION



### RECOMMENDED PCB FOOTPRINT COMPONENT SIDE VIEW



#### NOTES:

1. PLASTIC HOUSING: THERMOPLASTIC PA 4/6, FLAMMABILITY RATING UL 94V-0
  2. CONTACTS: 30 MICRO-INCH HARD GOLD PLATING
  3. OUTPUT PINS: TIN-COATED COPPER WIRE, DIA 0.018 INCH.
  4. METAL SHIELD: NICKEL PLATED ON COPPER ALLOY. (ALL GROUND LEADS ARE SOLDER DIPPED)
1. MARK PART WITH MFG. LOGO, MFG. NAME, PART NUMBER AND DATE CODE.
2. RoHS COMPLIANCE, PER EU DIRECTIVE 2002/95/EC.

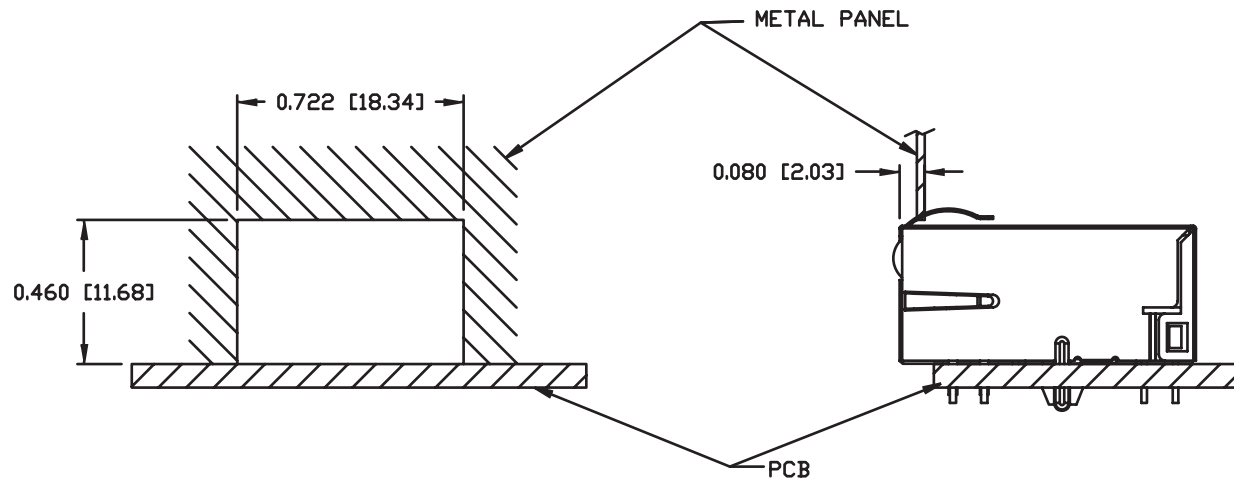
UL RECOGNIZED - FILE #E196366 AND E169987.

## INTEGRATED CONNECTOR MODULES

### L829-1X1T-91 10/100Base-TX Ultra Low Profile MagJack®



SUGGESTED PANEL OPENING



**NOTE:**  
THE DISTANCE OF PANEL INSIDE SURFACE RELATIVE TO FRONT SURFACE OF PART IS ONLY A SUGGESTION.  
IN CASE THIS DISTANCE IS DIFFERENT, THE REQUIRED PANEL OPENING DIMENSIONS CHANGE ACCORDINGLY.

**TRAY PACKING INFORMATION**

PACKING TRAY : 0200-9999-E4 (TOP)  
0200-9999-E5 (BOTTOM)

PACKING QUANTITY : 60 PCS FINISHED GOODS PER TRAY  
11 TRAYS (660 PCS FINISHED GOODS) PER CARTON BOX

NOTE : CARDBOARDS ARE PLACED BETWEEN LAYERS OF PACKING TRAY INSIDE CARTON BOX  
(INCLUDE THE UPPERMOST AND LOWERMOST TRAY)