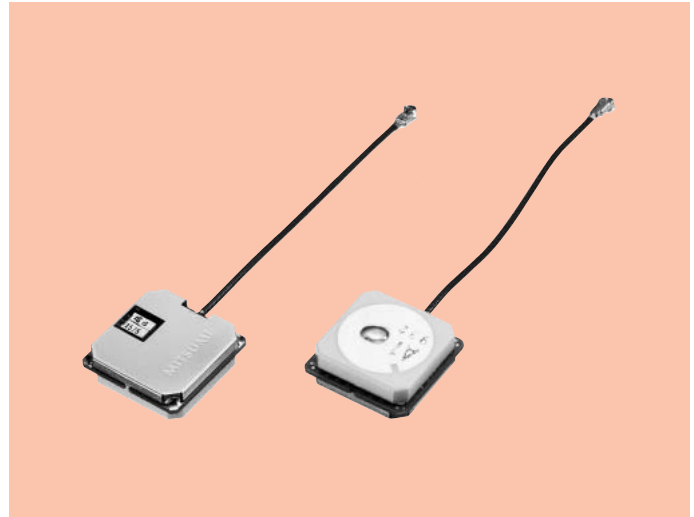


GPS Antenna GPA-CG2C2

Telecommunication component

OUTLINE

This is a highly sensitive, efficient antenna for receiving GPS satellite waves. It is ideal for use as a built-in antenna for portable/handy equipment. Antenna pattern is custom designed to meet the customer's requirements.



FEATURES

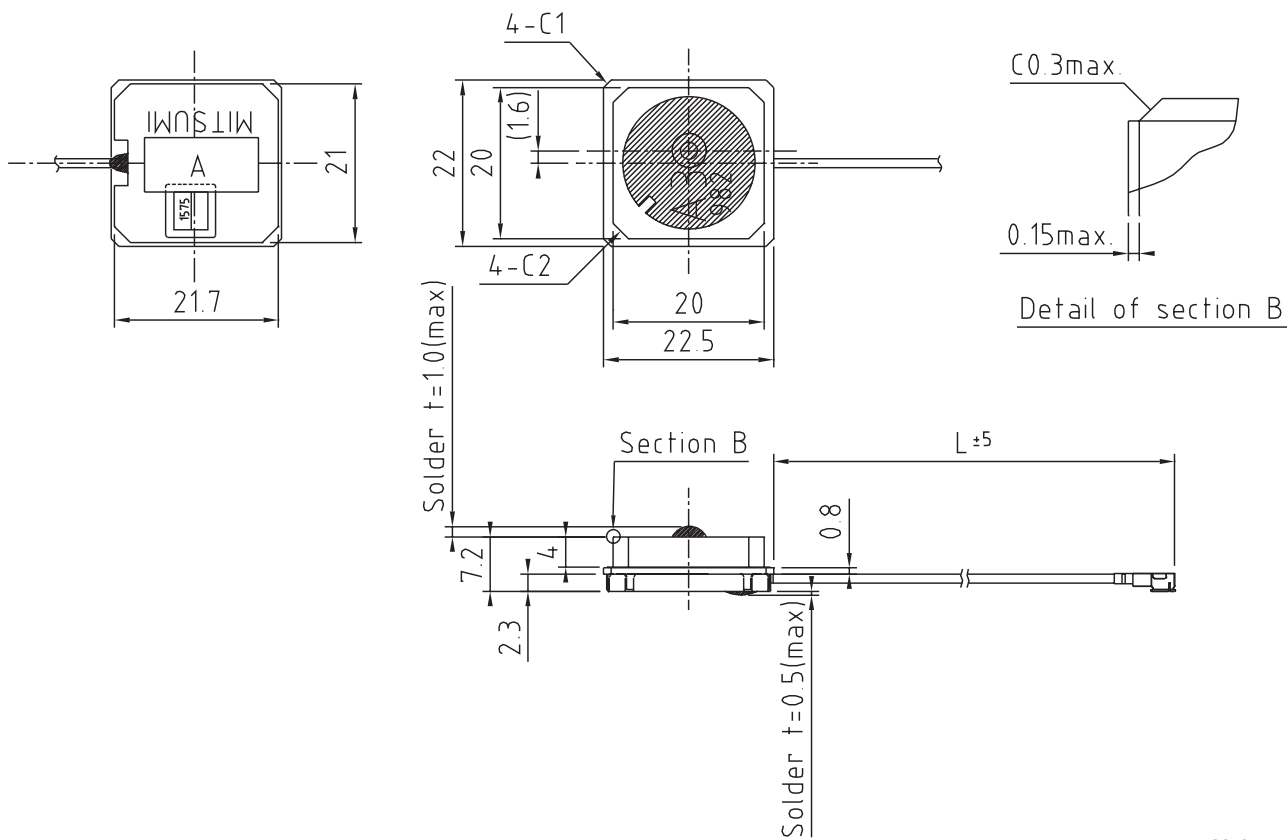
1. Custom antenna pattern design.
2. Low power supply voltage, low consumption current.
3. Small antenna element (20mm × 20mm × 4mm)
4. Cable length and connector can be customized.

SPECIFICATIONS

| Item | | Specifications |
|---------|---------------------------------------|-----------------------------|
| Antenna | Reception frequency | 1575.42±1.023MHz |
| | Reception polarization | Right rotating polarization |
| | Antenna gain | -1dBi min. |
| | Output impedance | 50Ω |
| LNA | Reception frequency | 1575.42MHz |
| | Noise factor | 1.1dB typ. |
| | Gain | 26dB typ. |
| | Gain flatness (within reception band) | 1dB max. |
| | Ex-band attenuation | 18dB min. (fo±50MHz) |
| Overall | Overall gain | 26dBi typ. (Zenith) |
| | Power supply voltage | 2.5V~5.5V |
| | Consumption current | 6.5mA typ. 8mA max. |
| | Minimum Order | 50,000Pcs/Year |

*Conditions: For cable length 100mm

DIMENSIONS



Unit : mm