

## STEERING DIODE ARRAY

**APPLICATIONS**

- ✓ Ethernet - 10/100/1000 Base T
- ✓ Cellular Phones
- ✓ Handheld Electronics
- ✓ FireWire
- ✓ USB Interface

**IEC COMPATIBILITY (EN61000-4)**

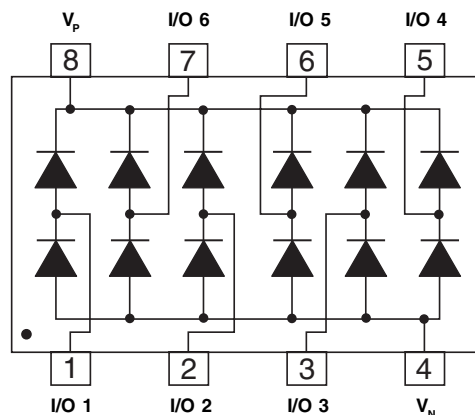
- ✓ 61000-4-2 (ESD): Air - 15kV, Contact - 8kV
- ✓ 61000-4-4 (EFT): 40A - 5/50ns
- ✓ 61000-4-5 (Surge): 12A, 8/20 $\mu$ s - Level 1(Line-Gnd) & Level 2(Line-Line)

**FEATURES**

- ✓ ESD Protection > 40 kilovolts
- ✓ Low Clamping Voltage
- ✓ Provides Six (6) Lines of Protection
- ✓ **LOW LEAKAGE CURRENT < 200nA**
- ✓ **ULTRA LOW CAPACITANCE: 5pF Typical**

**MECHANICAL CHARACTERISTICS**

- ✓ Molded JEDEC SO-8
- ✓ Weight 0.1 grams (Approximate)
- ✓ Flammability rating UL 94V-0
- ✓ 12mm Tape and Reel Per EIA Standard 481
- ✓ Marking: Marking Code, Logo, Date Code & Pin One Defined By Dot on Top of Package

**PIN CONFIGURATION**

DEVICE CHARACTERISTICS

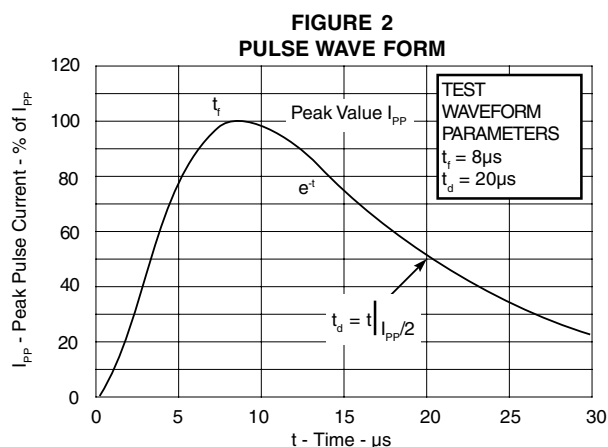
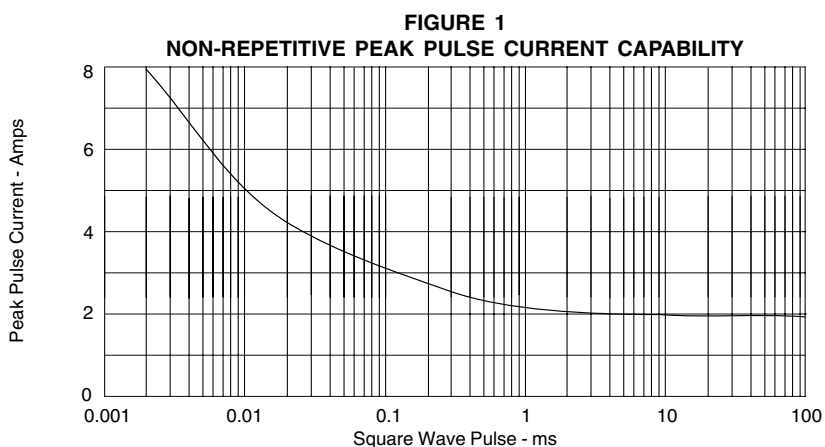
MAXIMUM RATINGS @ 25°C Unless Otherwise Specified			
PARAMETER	SYMBOL	VALUE	UNITS
Operating Temperature	$T_J$	-55°C to 150°C	°C
Storage Temperature	$T_{STG}$	-55°C to 150°C	°C
Continuous Power Dissipation	$P_{PC}$	145	mW

ELECTRICAL CHARACTERISTICS PER LINE @ 25°C Unless Otherwise Specified							
PART NUMBER	DEVICE MARKING	REPETITIVE PEAK REVERSE VOLTAGE (See Note 1) $V_{RRM}$ VOLTS	TYPICAL FORWARD VOLTAGE 8/20µs @ 1A $V_F$ VOLTS	MAXIMUM PEAK PULSE FORWARD CURRENT 8/20µs $I_{FM}$ AMPS	MAXIMUM REVERSE LEAKAGE CURRENT (See Note 2) @ $V_{RRM}$ $I_R$ nA	MAXIMUM QUIESCENT SUPPLY CURRENT (See Note 3) @ 20V $I_{RQ}$ nA	TYPICAL CAPACITANCE @ 0V, 1 MHz $C_j$ pF
ET723	STA	20	2	12	20	200	5

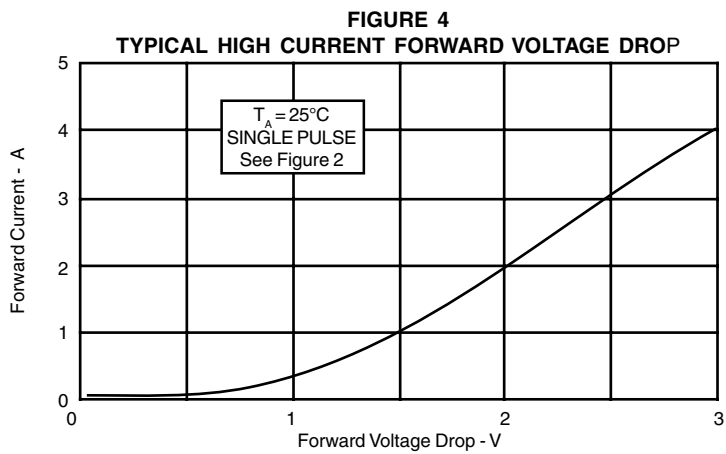
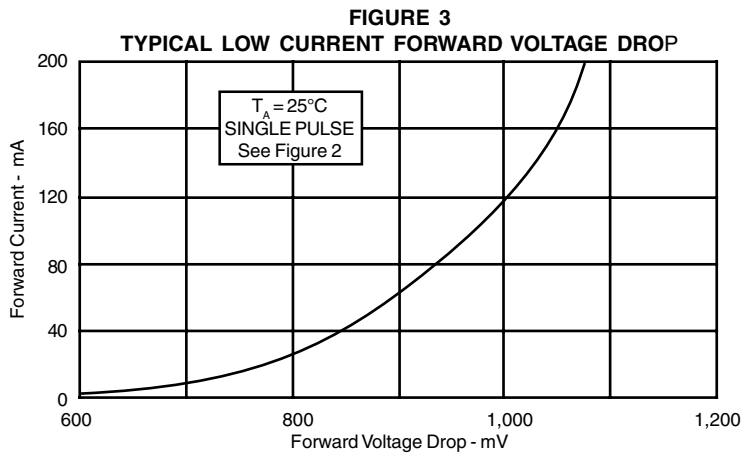
**Note 1:**  $V_{RRM}$  is  $+V_{CC}$  for pin 8,  $-V_{EE}$  for pin 4.

**Note 2:** +20V from pin 8 to 1, 8 to 2, 8 to 3, 8 to 6, 8 to 7. -20V from pin 4 to 1, 4 to 2, 4 to 3, 4 to 6 and 4 to 7.

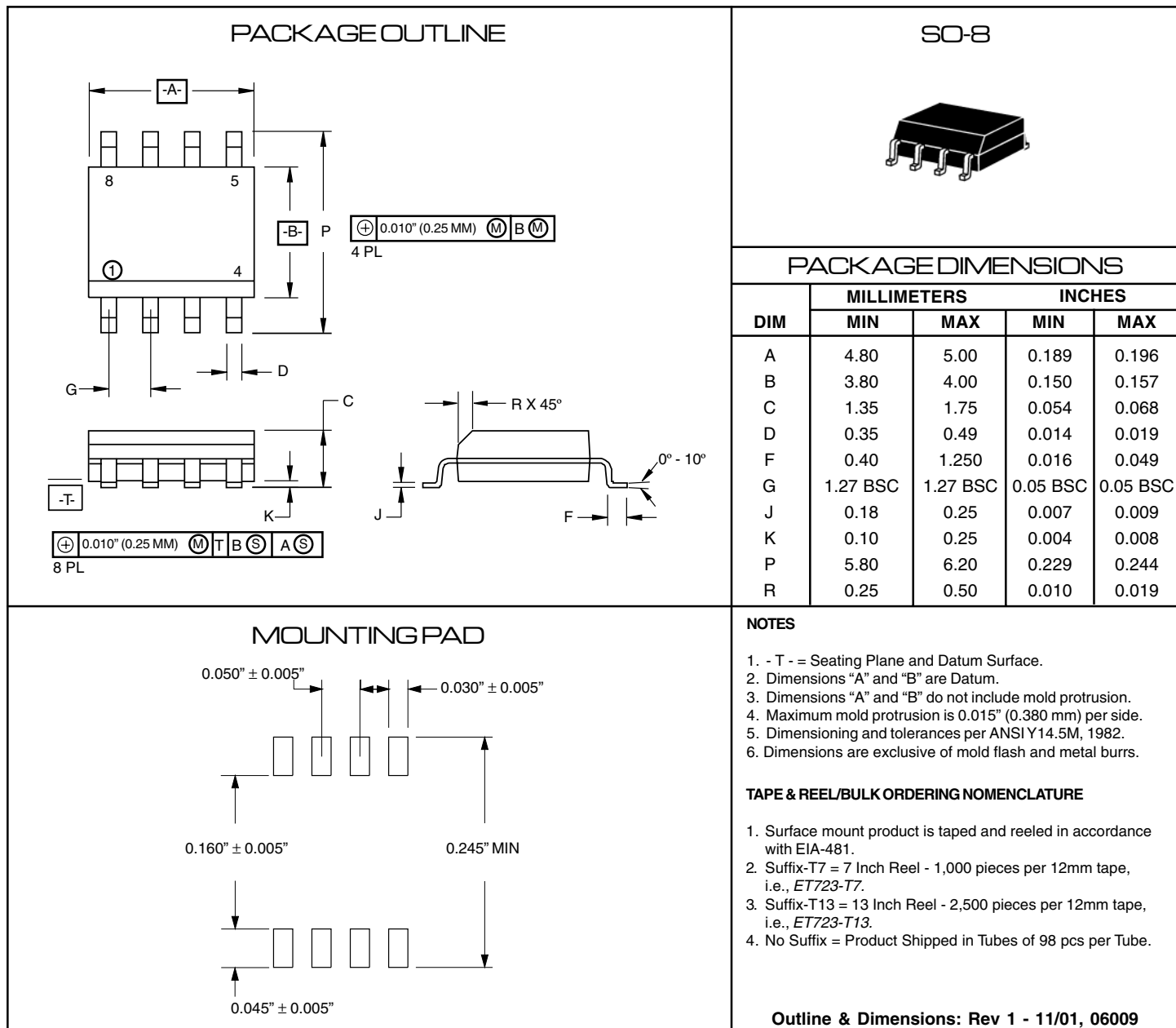
**Note 3:** +20V from pin 8 to 4.



GRAPHS



## PACKAGE OUTLINE & DIMENSIONS



**COPYRIGHT © ProTek Devices 2003**

SPECIFICATIONS: ProTek reserves the right to change the electrical and or mechanical characteristics described herein without notice (except JEDEC).

DESIGN CHANGES: ProTek reserves the right to discontinue product lines without notice, and that the final judgement concerning selection and specifications is the buyer's and that in furnishing engineering and technical assistance, ProTek assumes no responsibility with respect to the selection or specifications of such products.

**ProTek Devices**

2929 South Fair Lane, Tempe, AZ 85282

Tel: 602-431-8101 Fax: 602-431-2288

E-Mail: [sales@protekdevices.com](mailto:sales@protekdevices.com)

Web Site: [www.protekdevices.com](http://www.protekdevices.com)