

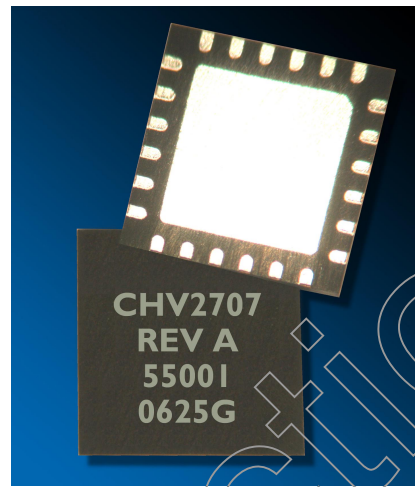
700 to 800 MHz InGaP HBT 5W Linear Power Amplifier

October 2006 - Rev 25-Oct-06

CHV2707-QJ
RoHS

Features

- ✕ Internal Pre-matching
- ✕ Single Supply Operation, 12V
- ✕ Power Gain 14 dB
- ✕ ESD Protection On Board
- ✕ Current Control for Multiple Applications
- ✕ 2.5% EVM @ 30 dBm Avg Power, 802.16 OFDM Signal Format, PAR = 9 dB
- ✕ Low Thermal Resistance
- ✕ Ideal for WiMAX Applications
- ✕ RoHS Compliant 6x6 mm QFN Package



General Description

The CHV2707 internally pre-matched power HBT device provides 14 dB of gain, 2.3% EVM at 30dBm output power for 802.16 OFDM signal with a peak to average power ratio of 9 dB. The device operates off a single supply voltage up to 12V and includes internal bias circuitry to enable exact setting of the quiescent current using an external Vcontrol. This Vcontrol is non-unique voltage setting and the same value can be used for each part depending on the required Icq. The device is ideal for high linearity, high data rate applications such as WiMAX. Internal pre-matching facilitates a simplified external matching approach and the highest in-band gain potential of the device. The device operates with unique matching at each of the popular WiMAX bands with the inherent repeatability of an InGaP HBT process.

Absolute Maximum Ratings

Voltage Supply (Vcc)	4.5 (min) to 12 V (max)
Current (Icc)	2000 mA
Dissipated Power (P _{diss})	18W
Input Power (P _{in})	18 dBm
Storage Temperature (T _{stg})	-60 to +150 °C
Channel Temperature (T _{ch})	175 °C
Thermal Resistance (R _{th})	5 °C/W
Operating Backside Temperature (T _b)	-40 °C to (see note 1)

Operation outside any of these limits can cause permanent damage.
(1) Calculate maximum operating temperature T_{max} using the following formula: T_{max} = 175 - (P_{diss} [W] x 5) [C].

Electrical Characteristics (Ambient Temperature T = 25 °C, V_{cc} = 12V)¹

Parameter	Units	Min.	Typ.	Max.
Operating Frequency (f)	MHz	700	750	800
Quiescent Current (I _{cq}) ²	mA	-	730	760
Power Gain @ P _{out} = 29 dBm (G _{ps})	dB	-	14	-
Current @ 29 dBm (I _{cc})	mA	-	770	800
Output Power @ EVM = 2.5% (P _{out}) ³	dBm	29	-	-
Adjacent Channel Power Ratio @ P _{out} = 30 dBm (ACPR) ⁴	dBc	-	-45	-
Input Reflection Coefficient (S11)	dB		-9	
Noise Figure (NF)	dB		5	

1. Data measured in a Mimix matched connectorized fixture.
2. Quiescent current depends on V_{cc} and measured @ P_{out} = 30 dBm
3. Using an 802.1 6d OFDM signal format with PAR=9 dB
4. Using 3 GPP WCDMA signal, PAR = 9.17 dB

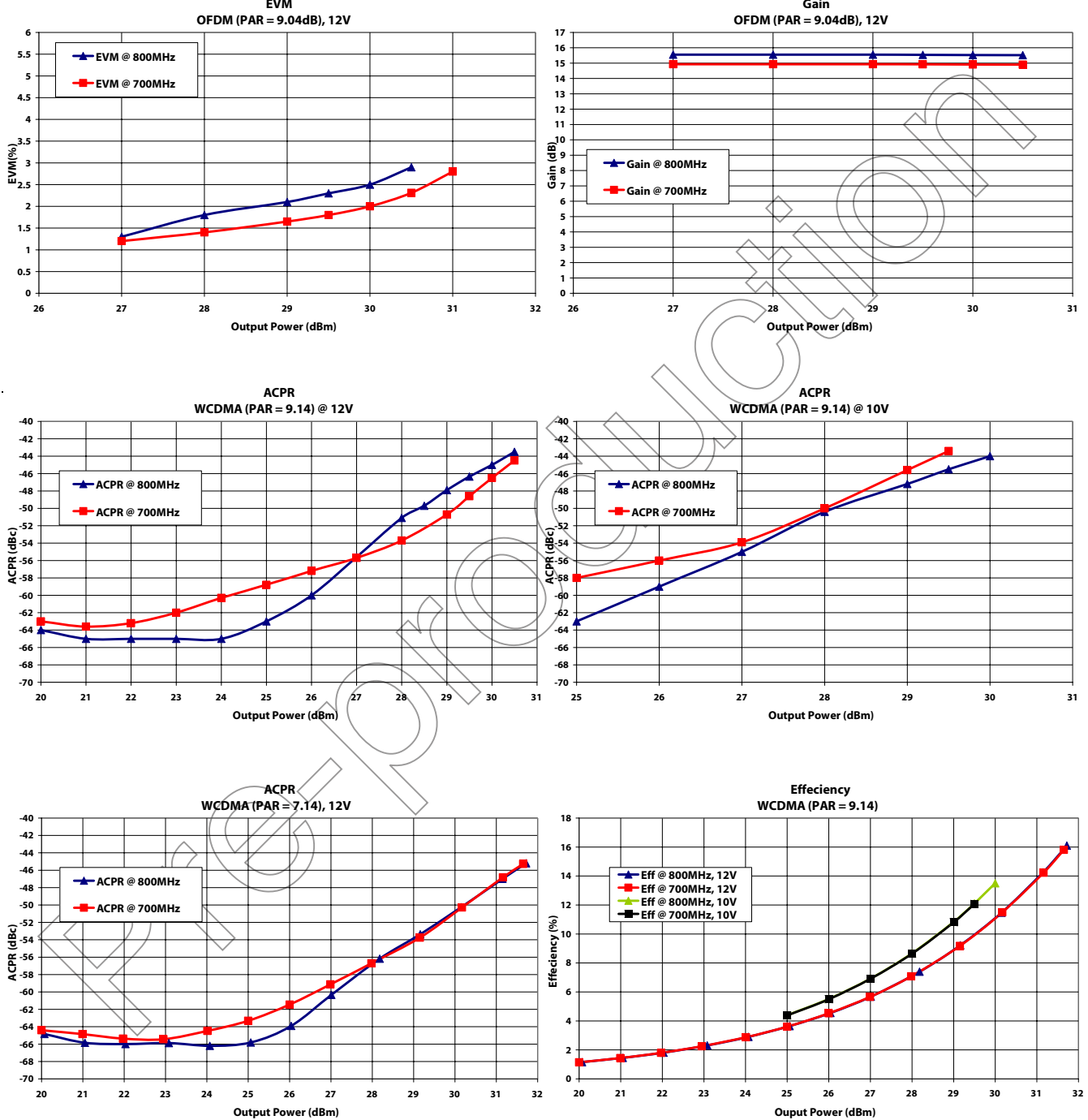
700 to 800 MHz InGaP HBT 5W Linear Power Amplifier

October 2006 - Rev 25-Oct-06

CHV2707-QJ
RoHS

Typical Performance: (802.16 OFDM signal, PAR = 9 dB, Vcontrol = 7V)

Measured in a Mimix evaluation board



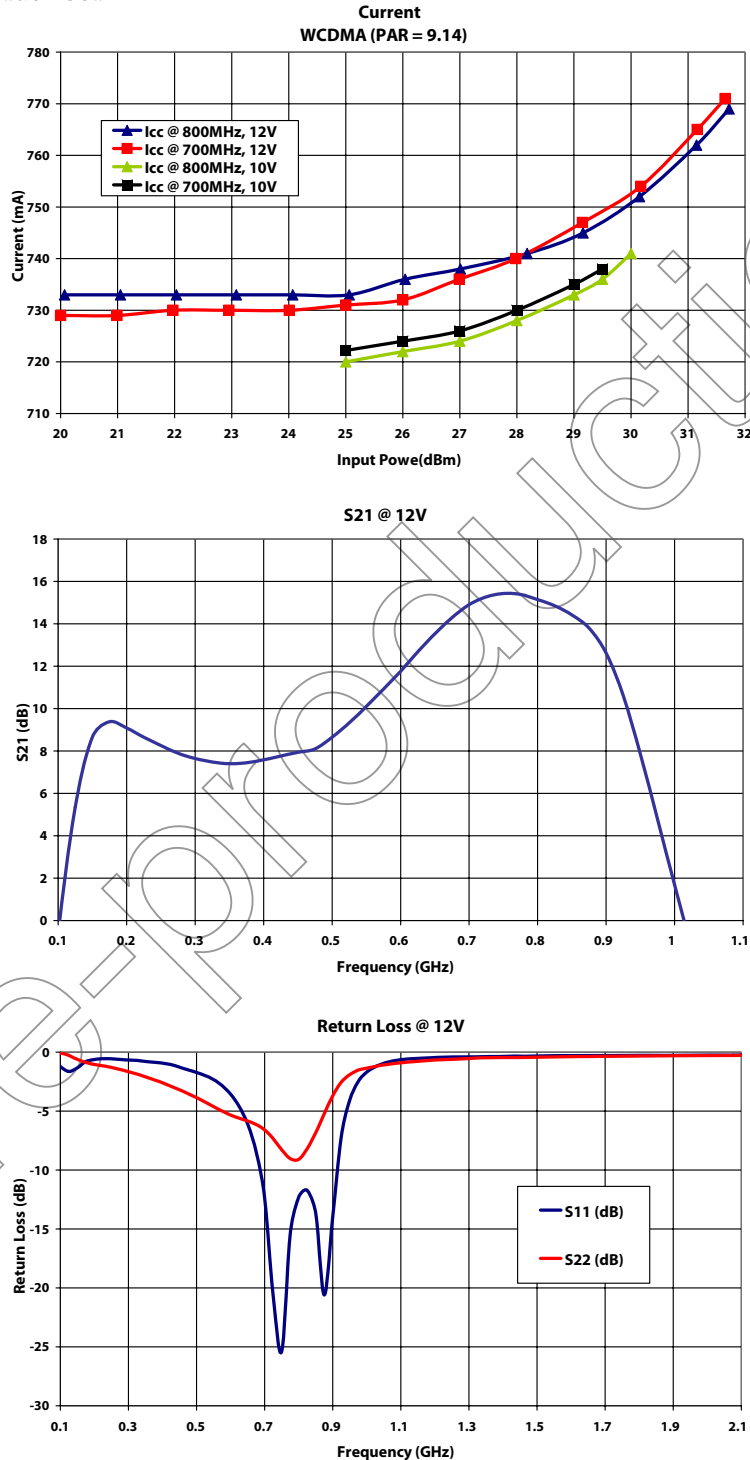
700 to 800 MHz InGaP HBT 5W Linear Power Amplifier

October 2006 - Rev 25-Oct-06

CHV2707-QJ
RoHS

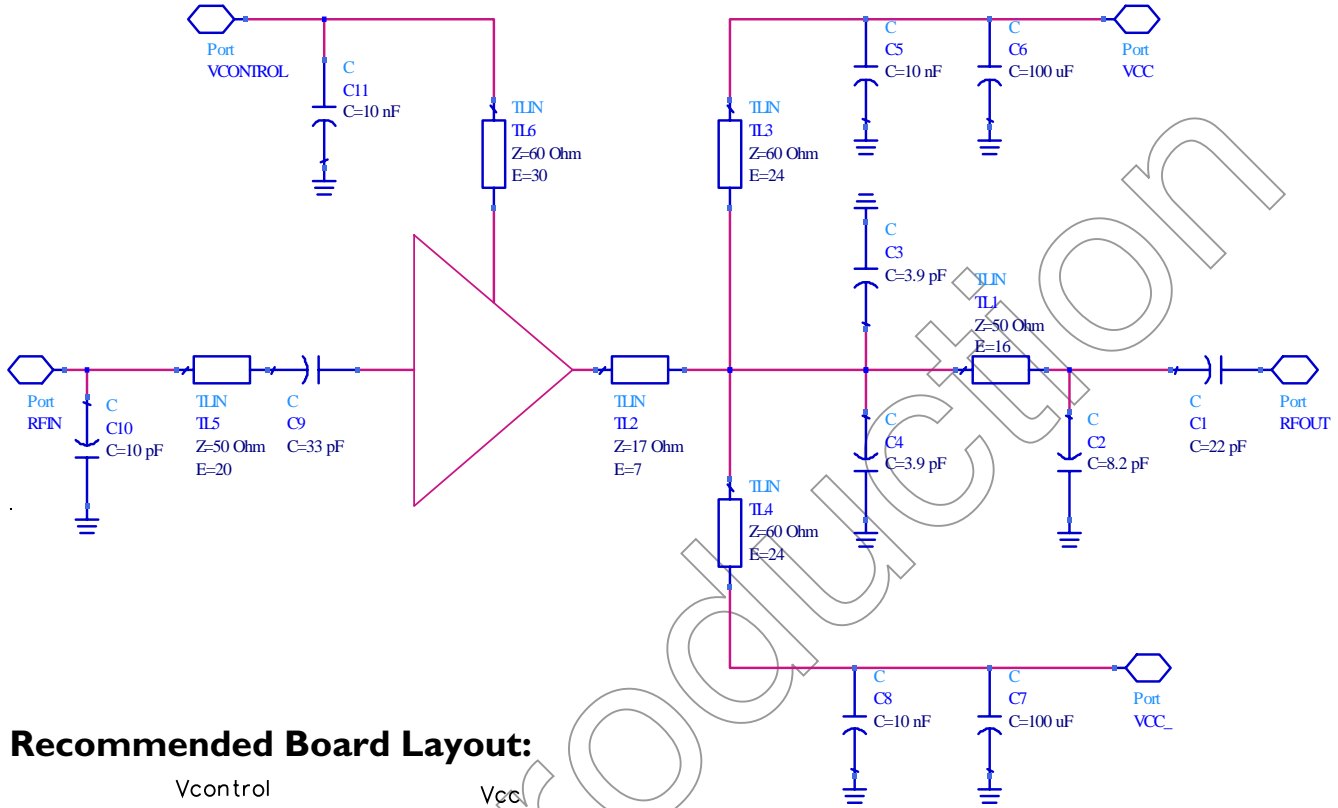
Typical Performance: (802.16 OFDM signal, PAR = 9 dB, Vcontrol = 7V)

Measured in a Mimix evaluation board

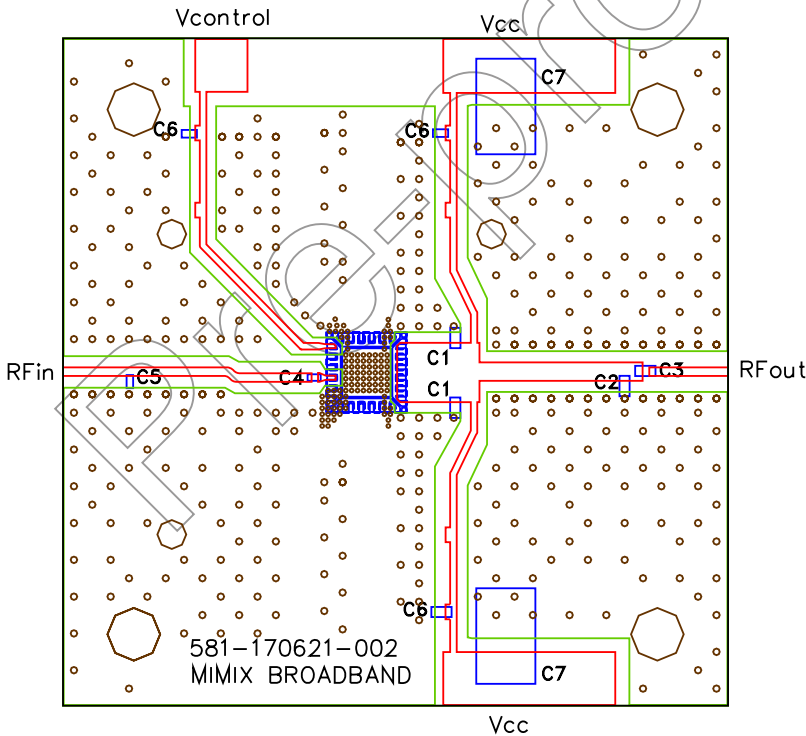


700 to 800 MHz InGaP HBT 5W Linear Power Amplifier

Recommended Board Schematic:



Recommended Board Layout:



12 mil RO4003

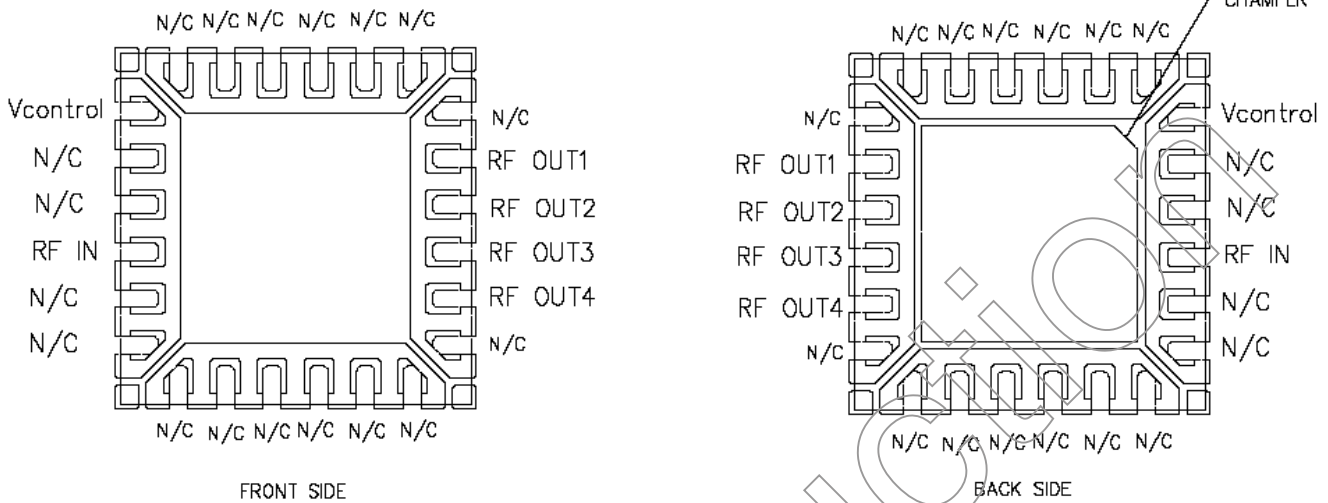
IDENT.	DESCRIPTION
C1	Murata 0603 ERB 3.9 pF
C2	Murata 0603 ERB 8.2 pF
C3	Murata 0603 ERB 22 pF
C4	Murata 0402 33 pF
C5	Murata 0402 8.2 pF
C6	10uF
C7	100uF

700 to 800 MHz InGaP HBT 5W Linear Power Amplifier

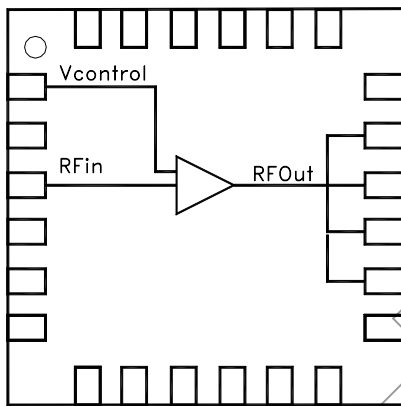
October 2006 - Rev 25-Oct-06

CHV2707-QJ
RoHS

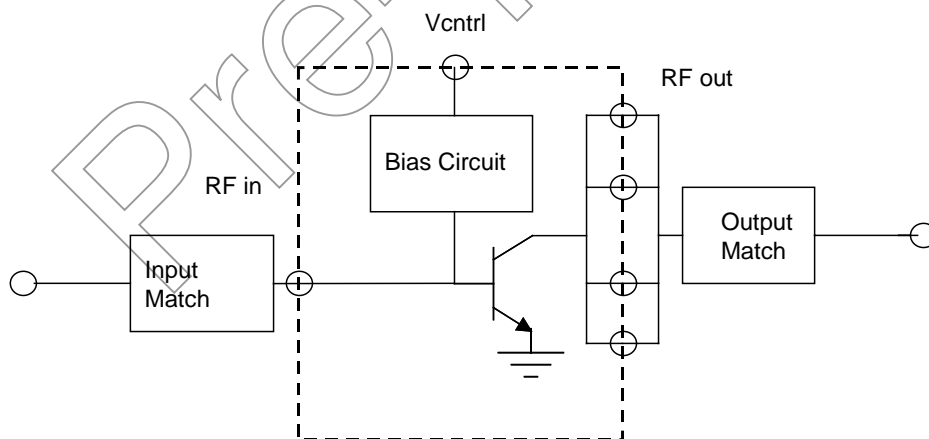
Pin Assignment



Functional Block Diagram



Pin #	Description
1	Vcontrol
4	RF IN
14	RF OUT 4
15	RF OUT 3
16	RF OUT 2
17	RF OUT 1
2, 3, 5, 6, 7, 8, 9, 10, 11, 12, 13, 18, 19, 20, 21, 22, 23, 24	N/C



* Backside of Package is emitter gnded

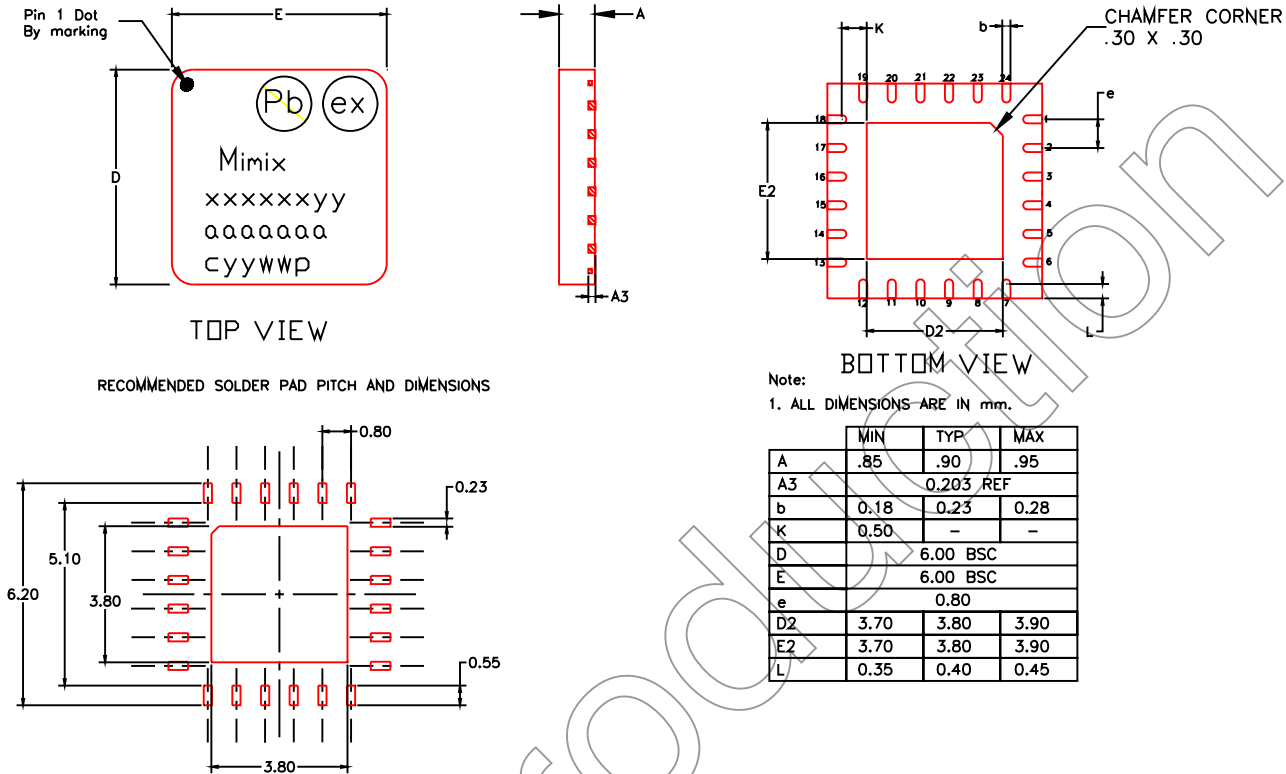
700 to 800 MHz InGaP HBT 5W Linear Power Amplifier

Mimix
BROADBAND™

October 2006 - Rev 25-Oct-06

CHV2707-QJ
RoHS

Physical Dimensions



Handling and Assembly Information

Mimix Lead-Free RoHS Compliant Program - Mimix has an active program in place to meet customer and governmental requirements for eliminating lead (Pb) and other environmentally hazardous materials from our products. All Mimix RoHS compliant components are form, fit and functional replacements for their non-RoHS equivalents. Lead plating of our RoHS compliant parts is 100% matt tin (Sn) over copper alloy and is backwards compatible with current standard SnPb low-temperature reflow processes as well as higher temperature (260°C reflow) "Pb Free" processes.

For those customers not making the change at this time, Mimix will maintain production of current configurations. For questions and comments e-mail: ourearth@mimixbroadband.com.

Ordering Information

Part Number for Ordering

CHV2707-QJ-0G00
CHV2707-QJ-0G0T
PB-CHV2707-0000

Package

Matte Tin plated RoHS compliant 6X6 QFN surface mount package in bulk
Matte Tin Plated RoHS compliant 6X6 QFN surface mount package in tape and reel
Evaluation Board with SMA connectors.

We also offer the plastic package with SnPb (Tin Lead) or NiPdAu. Please contact your regional sales manager for more information regarding different plating types.

Mimix Broadband, Inc., 10795 Rockley Rd., Houston, Texas 77099
Tel: 281.988.4600 Fax: 281.988.4615 mimixbroadband.com

Page 6 of 6

Characteristic Data and Specifications are subject to change without notice. ©2006 Mimix Broadband, Inc.
Export of this item may require appropriate export licensing from the U.S. Government. In purchasing these parts, U.S. Domestic customers accept their obligation to be compliant with U.S. Export Laws.