



# STC08DE150HV

Hybrid emitter switched bipolar transistor

ESBT® 1500V - 8A - 0.075 Ω

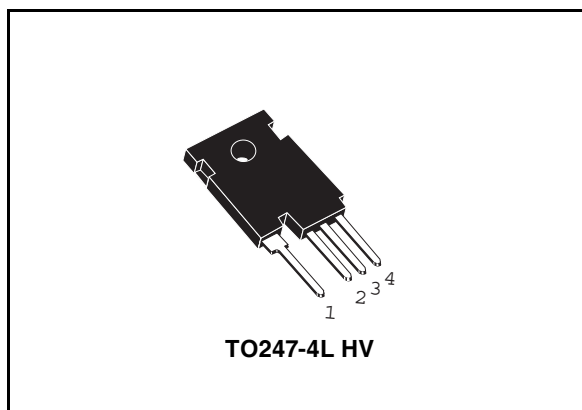
Preliminary Data

## General features

Table 1. General features

$V_{CS(ON)}$	$I_C$	$R_{CS(ON)}$
0.6V	8A	0.075Ω

- Low equivalent on resistance
- Very fast-switch, up to 150 kHz
- Squared RBSOA, up to 1500 V
- Very low  $C_{ISS}$  driven by  $R_G = 47 \Omega$
- In compliance with the 2002/93/EC European Directive



## Description

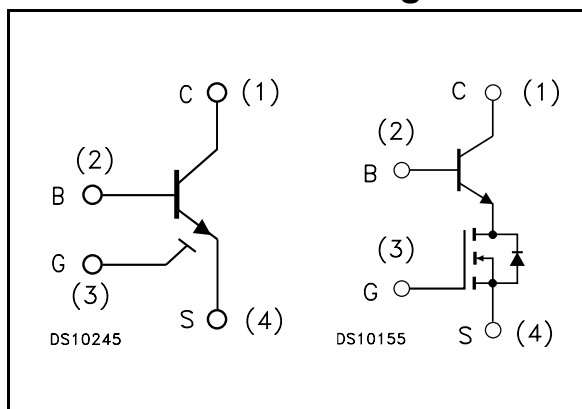
The STC08DE150HV is manufactured in a hybrid structure, using dedicated high voltage Bipolar and low voltage MOSFET technologies, aimed at providing the best performance in ESBT topology.

The STC08DE150HV is designed for use in aux flyback smps for any three phase application.

## Applications

- Single switch SMPS based on three phase mains

## Internal schematic diagrams



## Order codes

Part Number	Marking	Package	Packing
STC08DE150HV	C08DE150HV	TO247-4L HV	Tube

---

## Contents

<b>1</b>	<b>Electrical ratings</b> .....	<b>3</b>
<b>2</b>	<b>Electrical characteristics</b> .....	<b>4</b>
2.1	Electrical characteristics (curves) .....	5
2.2	Test circuits .....	7
<b>3</b>	<b>Package mechanical data</b> .....	<b>8</b>
<b>4</b>	<b>Revision history</b> .....	<b>10</b>

# 1 Electrical ratings

**Table 2. Absolute maximum ratings**

Symbol	Parameter	Value	Unit
$V_{CS(SS)}$	Collector-source voltage ( $V_{BS} = V_{GS} = 0V$ )	1500	V
$V_{BS(OS)}$	Base-source voltage ( $I_C = 0, V_{GS} = 0V$ )	30	V
$V_{SB(OS)}$	Source-base voltage ( $I_C = 0, V_{GS} = 0V$ )	9	V
$V_{GS}$	Gate-source voltage	$\pm 20$	V
$I_C$	Collector current	8	A
$I_{CM}$	Collector peak current ( $t_P < 5ms$ )	15	A
$I_B$	Base current	4	A
$I_{BM}$	Base peak current ( $t_P < 1ms$ )	8	A
$P_{tot}$	Total dissipation at $T_C \leq 25^\circ C$	156	W
$T_{stg}$	Storage temperature	-40 to 150	$^\circ C$
$T_J$	Max. operating junction temperature	125	$^\circ C$

**Table 3. Thermal data**

Symbol	Parameter	Value	Unit
$R_{thj-case}$	Thermal resistance junction-case max	0.64	$^\circ C/W$

## 2 Electrical characteristics

( $T_{\text{case}} = 25^{\circ}\text{C}$  unless otherwise specified)

**Table 4. Electrical characteristics**

Symbol	Parameter	Test Conditions	Min.	Typ.	Max.	Unit
$I_{\text{CS(SS)}}$	Collector-source current ( $V_{\text{BS}} = V_{\text{GS}} = 0\text{V}$ )	$V_{\text{CS(SS)}} = 1500\text{V}$			100	$\mu\text{A}$
$I_{\text{BS(OS)}}$	Base-source current ( $I_{\text{C}} = 0, V_{\text{GS}} = 0\text{V}$ )	$V_{\text{BS(OS)}} = 30\text{V}$			10	$\mu\text{A}$
$I_{\text{SB(OS)}}$	Source-base current ( $I_{\text{C}} = 0, V_{\text{GS}} = 0\text{V}$ )	$V_{\text{SB(OS)}} = 9\text{V}$			100	$\mu\text{A}$
$I_{\text{GS(OS)}}$	Gate-source leakage ( $V_{\text{BS}} = 0\text{V}$ )	$V_{\text{GS}} = \pm 20\text{V}$			500	nA
$V_{\text{CS(ON)}}$	Collector-source ON voltage	$V_{\text{GS}} = 10\text{V}$ $I_{\text{C}} = 8\text{A}$ $I_{\text{B}} = 1.6\text{A}$ $V_{\text{GS}} = 10\text{V}$ $I_{\text{C}} = 5\text{A}$ $I_{\text{B}} = 0.5\text{A}$		0.6 0.6	1.4	V V
$h_{\text{FE}}$	DC current gain	$I_{\text{C}} = 8\text{A}$ $V_{\text{CS}} = 1\text{V}$ $V_{\text{GS}} = 10\text{V}$ $I_{\text{C}} = 5\text{A}$ $V_{\text{CS}} = 1\text{V}$ $V_{\text{GS}} = 10\text{V}$	4.5 8	7.5 10		
$V_{\text{BS(ON)}}$	Base-source ON voltage	$V_{\text{GS}} = 10\text{V}$ $I_{\text{C}} = 8\text{A}$ $I_{\text{B}} = 1.6\text{A}$ $V_{\text{GS}} = 10\text{V}$ $I_{\text{C}} = 5\text{A}$ $I_{\text{B}} = 0.5\text{A}$		1.5 1	2	V V
$V_{\text{GS(th)}}$	Gate threshold voltage	$V_{\text{BS}} = V_{\text{GS}}$ $I_{\text{B}} = 250\mu\text{A}$	1.5	2.2	3	V
$C_{\text{iss}}$	Input capacitance	$V_{\text{CS}} = 25\text{V}$ $f = 1\text{MHz}$ $V_{\text{GS}} = V_{\text{CB}} = 0\text{V}$		750		pF
$Q_{\text{GS(tot)}}$	Gate-source Charge	$V_{\text{GS}} = 10\text{V}$ $I_{\text{C}} = 8\text{A}$ $V_{\text{CS}} = 25\text{V}$ $V_{\text{CB}} = 0\text{V}$		12.5		nC
$t_{\text{s}}$ $t_{\text{f}}$	INDUCTIVE LOAD Storage time Fall time	$V_{\text{GS}} = 10\text{V}$ $R_{\text{G}} = 47\Omega$ $V_{\text{Clamp}} = 1200\text{V}$ $t_{\text{p}} = 4\mu\text{s}$ $I_{\text{C}} = 5\text{A}$ $I_{\text{B}} = 0.5\text{A}$		526 8.5		ns ns
$t_{\text{s}}$ $t_{\text{f}}$	INDUCTIVE LOAD Storage time Fall time	$V_{\text{GS}} = 10\text{V}$ $R_{\text{G}} = 47\Omega$ $V_{\text{Clamp}} = 1200\text{V}$ $t_{\text{p}} = 4\mu\text{s}$ $I_{\text{C}} = 5\text{A}$ $I_{\text{B}} = 1\text{A}$		884 16		ns ns
$V_{\text{CSW}}$	Maximum collector-source voltage switched without snubber	$R_{\text{G}} = 47\Omega$ $h_{\text{FE}} = 5$ $I_{\text{C}} = 8\text{A}$	1500			V

Table 4. Electrical characteristics

Symbol	Parameter	Test Conditions	Min.	Typ.	Max.	Unit
$V_{CS(dyn)}$	Collector-source dynamic voltage (500ns)	$V_{CC} = V_{Clamp} = 300V$ $V_{GS} = 10V$ $I_C = 4A$ $I_B = 0.8A$ $t_{peak} = 500ns$ $R_G = 47\Omega$ $I_{Bpeak} = 8A (2I_C)$		6		V
$V_{CS(dyn)}$	Collector-source dynamic voltage (1 $\mu$ s)	$V_{CC} = V_{Clamp} = 300V$ $V_{GS} = 10V$ $I_C = 4A$ $I_B = 0.8A$ $t_{peak} = 500ns$ $R_G = 47\Omega$ $I_{Bpeak} = 8A (2I_C)$		2.2		V

Note (1) Pulsed duration = 300  $\mu$ s, duty cycle  $\leq$  1.5%

## 2.1 Electrical characteristics (curves)

Figure 1. Output characteristics

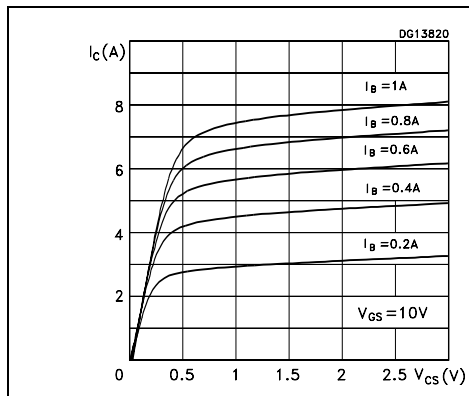


Figure 2. Dynamic collector-emitter saturation voltage

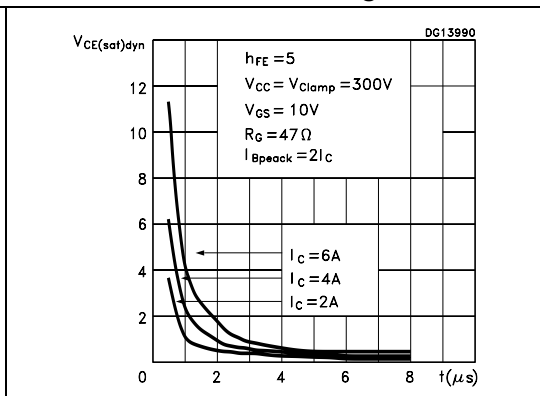


Figure 3. DC current gain

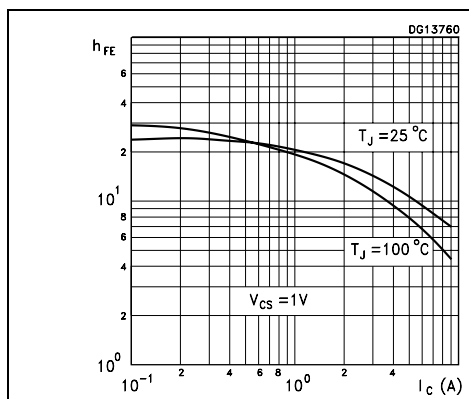


Figure 4. Gate threshold voltage vs temperature

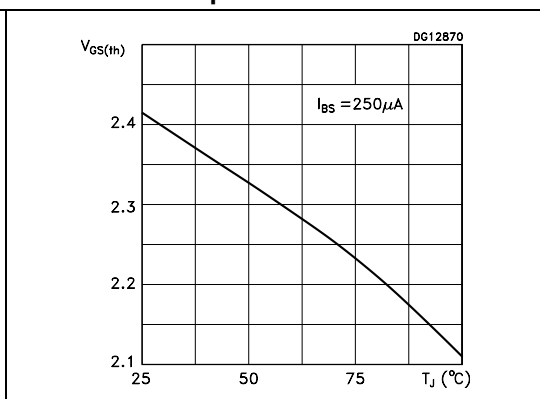


Figure 5. Collector-source On voltage Figure 6. Collector-source On voltage

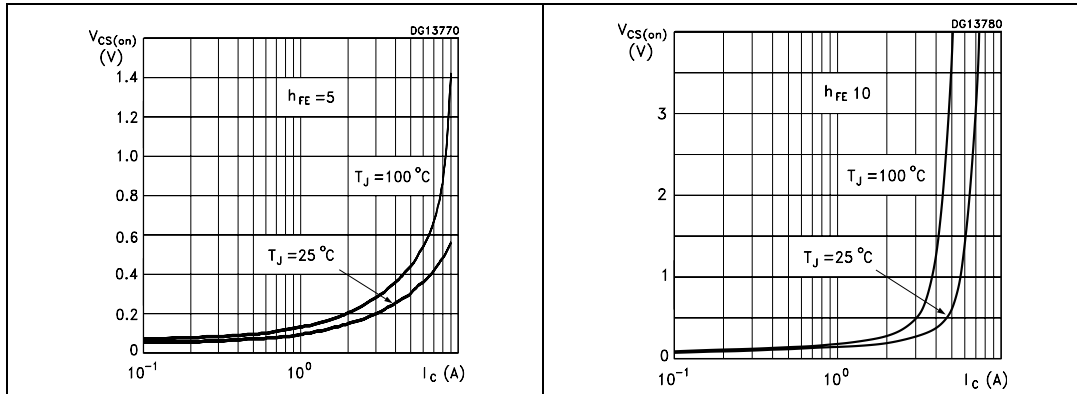


Figure 7. Base-source On voltage Figure 8. Base-source On voltage

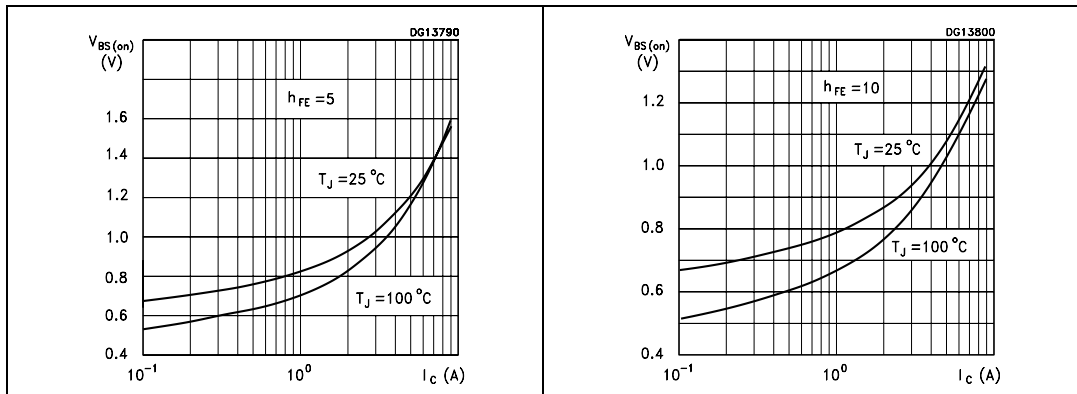
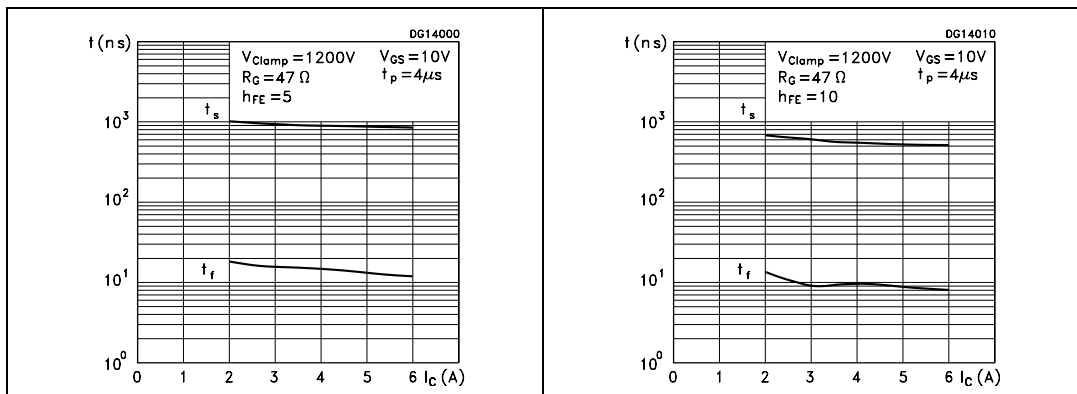
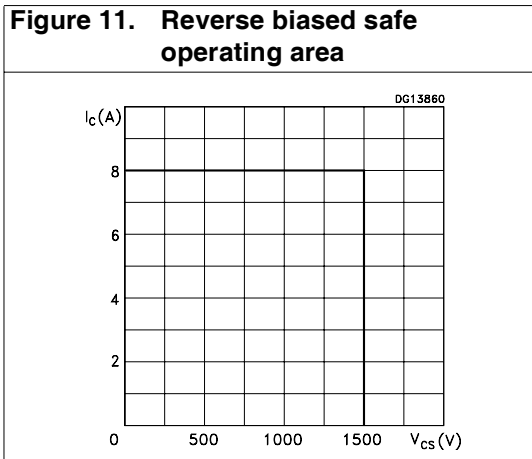


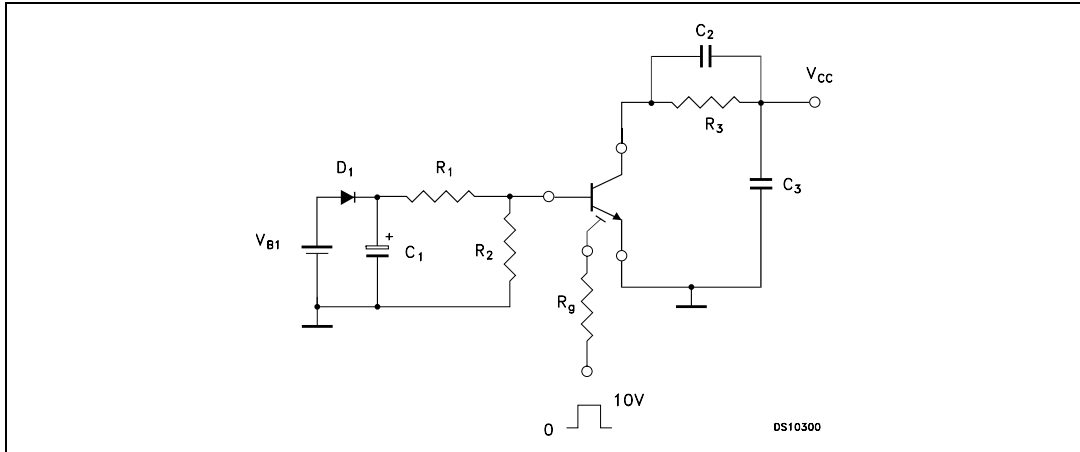
Figure 9. Inductive load switching time Figure 10. Inductive load switching time





## 2.2 Test circuits

**Figure 12. Enlargement FBSOA circuit**



**Table 5. Components, values**

$V_{B1} = 4.16V$	$C_1 = 4700\mu F$
$D_1 = BA157$	$C_2 \leq 1000pF$
$R_1 = 1\Omega$	$V_{CC} = 1500V$
$R_2 = 100\Omega$	$V_g = 10V$
$R_3 = 180\Omega$	Pulse time = $5\mu s$
$R_g = 47\Omega$	

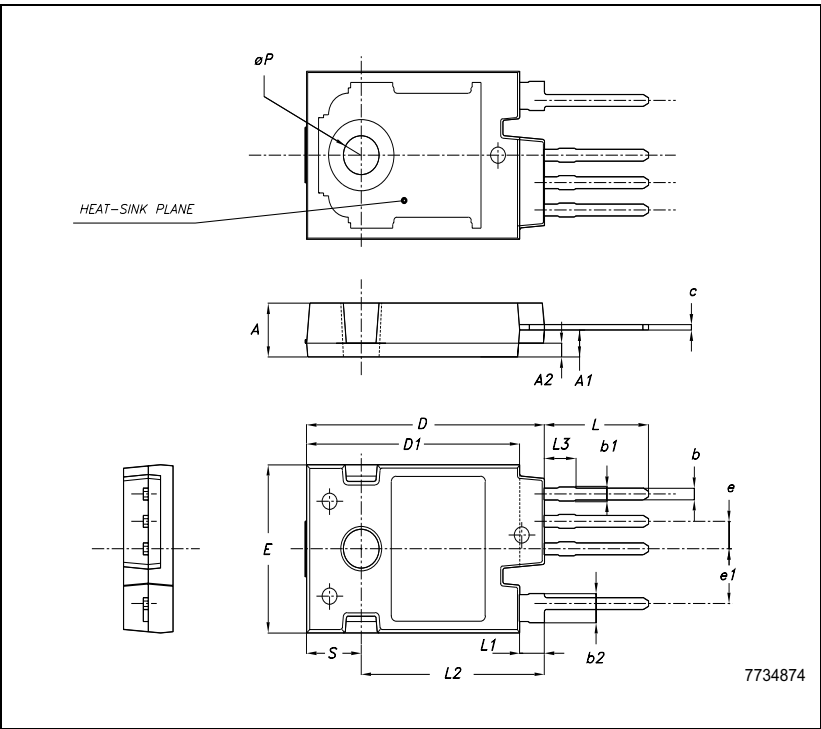
### 3 Package mechanical data

In order to meet environmental requirements, ST offers these devices in ECOPACK® packages. These packages have a Lead-free second level interconnect. The category of second level interconnect is marked on the package and on the inner box label, in compliance with JEDEC Standard JESD97. The maximum ratings related to soldering conditions are also marked on the inner box label. ECOPACK is an ST trademark. ECOPACK specifications are available at: [www.st.com](http://www.st.com)



TO247-4L HV MECHANICAL DATA

DIM.	mm.		
	MIN.	TYP	MAX.
A	4.85		5.15
A1	2.20	2.50	2.60
A2		1.27	
b	0.95	1.10	1.30
b2	2.50		2.90
c	0.40		0.80
D	23.85	24	24.15
D1		21.50	
E	15.45	15.60	15.75
e	2.54		
e1	5.08		
L	10.20		10.80
L1	2.20	2.50	2.80
L2		18.50	
L3		3	
øP	3.55		3.65
S		5.50	



7734874

## 4 Revision history

Table 6. Revision history

Date	Revision	Changes
25-Oct-2006	1	First release.

**Please Read Carefully:**

Information in this document is provided solely in connection with ST products. STMicroelectronics NV and its subsidiaries ("ST") reserve the right to make changes, corrections, modifications or improvements, to this document, and the products and services described herein at any time, without notice.

All ST products are sold pursuant to ST's terms and conditions of sale.

Purchasers are solely responsible for the choice, selection and use of the ST products and services described herein, and ST assumes no liability whatsoever relating to the choice, selection or use of the ST products and services described herein.

No license, express or implied, by estoppel or otherwise, to any intellectual property rights is granted under this document. If any part of this document refers to any third party products or services it shall not be deemed a license grant by ST for the use of such third party products or services, or any intellectual property contained therein or considered as a warranty covering the use in any manner whatsoever of such third party products or services or any intellectual property contained therein.

**UNLESS OTHERWISE SET FORTH IN ST'S TERMS AND CONDITIONS OF SALE ST DISCLAIMS ANY EXPRESS OR IMPLIED WARRANTY WITH RESPECT TO THE USE AND/OR SALE OF ST PRODUCTS INCLUDING WITHOUT LIMITATION IMPLIED WARRANTIES OF MERCHANTABILITY, FITNESS FOR A PARTICULAR PURPOSE (AND THEIR EQUIVALENTS UNDER THE LAWS OF ANY JURISDICTION), OR INFRINGEMENT OF ANY PATENT, COPYRIGHT OR OTHER INTELLECTUAL PROPERTY RIGHT.**

**UNLESS EXPRESSLY APPROVED IN WRITING BY AN AUTHORIZED REPRESENTATIVE OF ST, ST PRODUCTS ARE NOT RECOMMENDED, AUTHORIZED OR WARRANTED FOR USE IN MILITARY, AIR CRAFT, SPACE, LIFE SAVING, OR LIFE SUSTAINING APPLICATIONS, NOR IN PRODUCTS OR SYSTEMS, WHERE FAILURE OR MALFUNCTION MAY RESULT IN PERSONAL INJURY, DEATH, OR SEVERE PROPERTY OR ENVIRONMENTAL DAMAGE. ST PRODUCTS WHICH ARE NOT SPECIFIED AS "AUTOMOTIVE GRADE" MAY ONLY BE USED IN AUTOMOTIVE APPLICATIONS AT USER'S OWN RISK.**

Resale of ST products with provisions different from the statements and/or technical features set forth in this document shall immediately void any warranty granted by ST for the ST product or service described herein and shall not create or extend in any manner whatsoever, any liability of ST.

ST and the ST logo are trademarks or registered trademarks of ST in various countries.

Information in this document supersedes and replaces all information previously supplied.

The ST logo is a registered trademark of STMicroelectronics. All other names are the property of their respective owners.

© 2006 STMicroelectronics - All rights reserved

STMicroelectronics group of companies

Australia - Belgium - Brazil - Canada - China - Czech Republic - Finland - France - Germany - Hong Kong - India - Israel - Italy - Japan - Malaysia - Malta - Morocco - Singapore - Spain - Sweden - Switzerland - United Kingdom - United States of America

[www.st.com](http://www.st.com)

