



ELECTRICAL SPECIFICATIONS:

- | | | |
|-----|--|--|
| 1.0 | URNS RATIO: (P12-P18-P13) : (J3-J6) | : 1CT : 1CT ±3% |
| | (P10-P9-P11) : (J1-J2) | : 1CT : 1CT ±3% |
| 2.0 | INDUCTANCE: (P12-P13) | : 350uH MIN. @ 0.1V, 100KHz, 8mA DC Bias |
| | (J1-J2) | : 350uH MIN. @ 0.1V, 100KHz, 8mA DC Bias |
| 3.0 | LEAKAGE INDUCTANCE: P12-P13 (WITH J6 AND J3 SHORT) | : 0.3uH MAX. @ 1MHz |
| | P10-P11 (WITH J2 AND J1 SHORT) | : 0.3uH MAX. @ 1MHz |
| 4.0 | INTERWINDING CAPACITANCE: (P12,P13) TO (J6,J3) | : 30pf MAX @ 1MHz |
| | (P10,P9,P11) TO (J2,J1) | : 30pf MAX @ 1MHz |
| 5.0 | DC RESISTANCE: (J6-J3)=(J2-J1) | : 1.2 ohms Max. |

 InNet	InNet Technologies, Inc. http://www.innet-tech.com	
	 Stewart Connector Systems http://www.stewartconnector.com	
SHEET 1 OF 4	DRAWING NO. SI-70035	REV. X

6.0 RETURN LOSS: (P10-P11)=100 OHMS AND (J6-J3)=100 OHM REF.
1MHz TO 30MHz : -20dB MIN.
30MHz TO 60MHz : $-(19-20\text{LOG}(f/30\text{MHz}))$ MIN
80MHz : -12dB MIN.

NOTE: 100 OHMS CONNECTED TO (J2-J1) OR (P12-P13).

7.0 DIELECTRIC WITHSTAND: (J1, J2) TO (P10, P11) : 1500 RMS
(J3, J6) TO (P12,P13) : 1500 RMS

8.0 INSERTION LOSS: RS=RL=100 ohms
1MHz TO 65MHz : -1 dB MAX

9.0 RISE TIME: RS=100 OHMS AND RL = 100 OHMS
OUTPUT VOLTAGE = 1 V peak : 3.0 nS MAX
PULSE WIDTH= 112nS : 3.0 nS MAX

10.0 CROSS TALK: 1-65 MHz : -35 dB MIN.

11.0 COMMON TO COMMON MODE ATTENUATION: 30MHz TO 100MHz : -30 dB MIN
100MHz TO 130MHz : -20 dB MIN



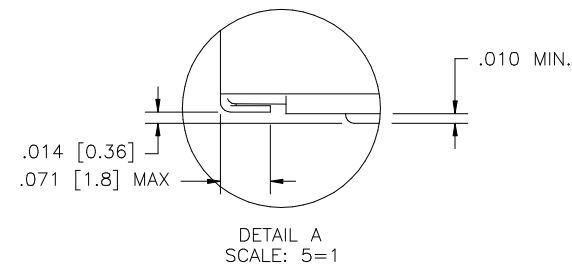
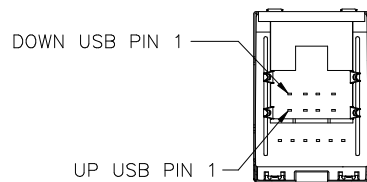
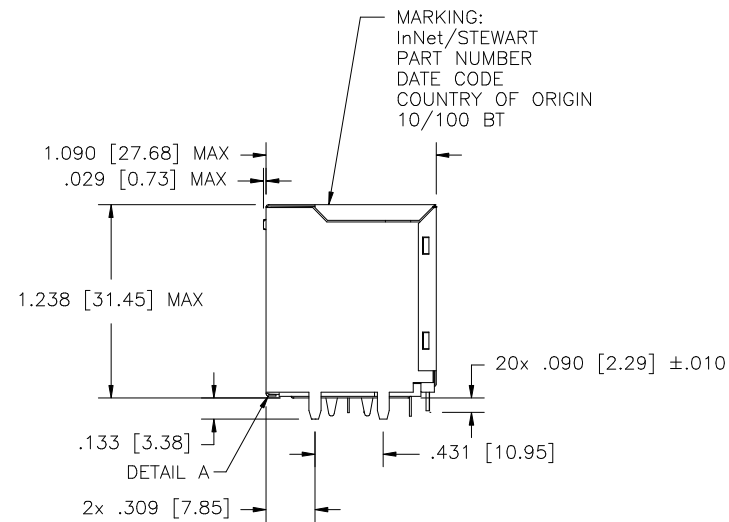
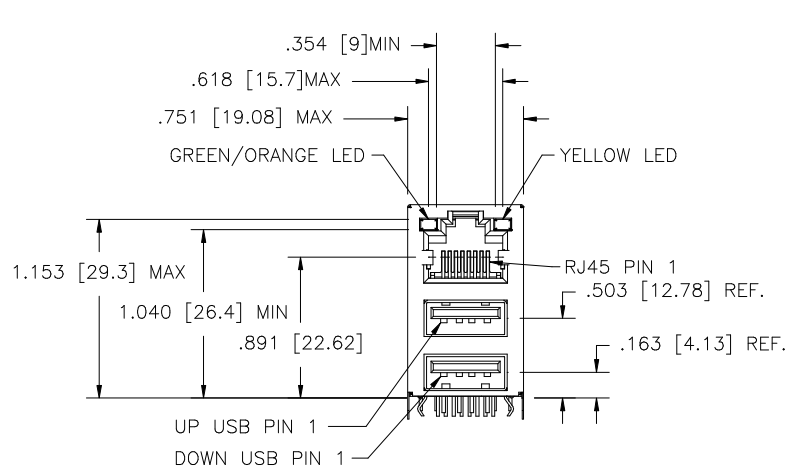
InNet Technologies, Inc.
<http://www.innet-tech.com>



Stewart Connector Systems
<http://www.stewartconnector.com>

SHEET
2 OF 4

DRAWING NO. SI-70035 REV. X

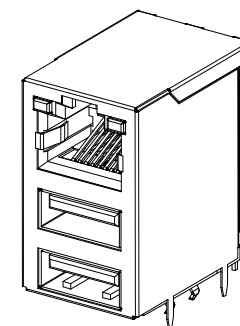


NOTES:

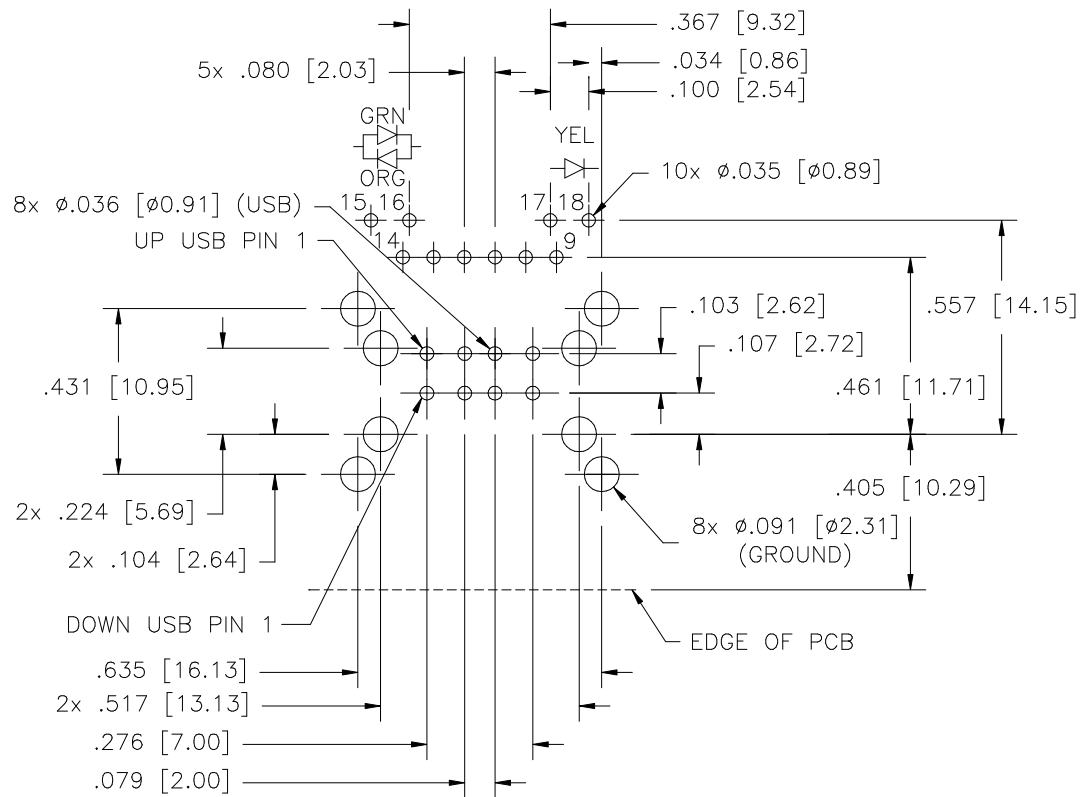
- 1.0 TOLERANCE COMPLY WITH FCC DIMENSION REQUIREMENTS.
- 2.0 MATERIAL:
 PLASTIC: UL94V-ø
 TERMINAL RJ45: 50 MICRINCHES Au OVER 50 MICRINCHES Ni OVER PHOSBRONZE
 SHIELD, BOTH USB AND RJ45: BRASS PLATED W/EITHER Ni OR TIN-LEAD
- 3.0 GENERAL TOLERANCE: ±.005 [.127]
- 4.0 INSERTION FORCE RJ45: 9.0 lbs MAX
 INSERTION FORCE USB: 7.7 lbs MAX
- 5.0 WITHDRAW FORCE RJ45: 2.9 lbs MIN
 WITHDRAW FORCE USB: 2.2 lbs MIN
- 6.0 DURABILITY FORCE RJ45: 1000 INSERTIONS
 DURABILITY FORCE USB: 1500 INSERTIONS
- 7.0 CONNECTOR TO PCB INSERTION FORCE: 8.6 lbs MAX

LED SPECIFICATION			
STANDARD LED	WAVELENGTH	* Forward V (MAX)	(TYP)
GREEN	565 nm	2.5 V	2.2 V
YELLOW	590 nm	2.5 V	2.1 V
ORANGE	605 nm	2.5 V	2.0 V



*WITH A FORWARD CURRENT OF 20 mA



	InNet Technologies, Inc. http://www.innet-tech.com	
	Stewart Connector Systems http://www.stewartconnector.com	
SHEET 3 OF 4	DRAWING NO. SI-70035	REV. X



PC BOARD LAYOUT COMPONENT SIDE SHOWN
 TOLERANCE: \pm .003 [.08] UNLESS OTHERWISE SPECIFIED

 InNet Technologies, Inc. http://www.innet-tech.com	
 Stewart Connector Systems http://www.stewartconnector.com	
SHEET 4 OF 4	DRAWING NO. SI-70035 REV. X