





NOTES:

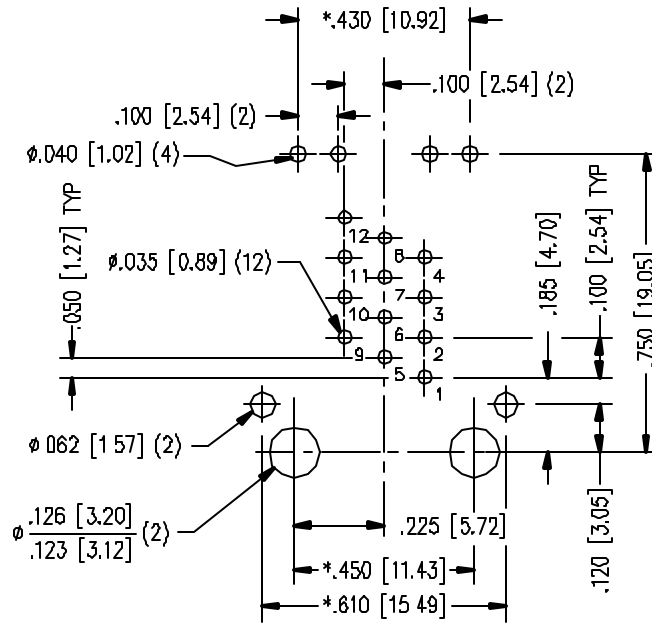
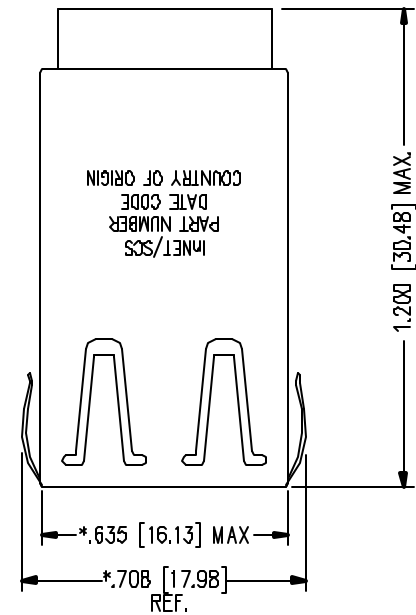
1.0 PINS WITHOUT ELECTRICAL CONNECTION ARE OMITTED.

 InNet Technologies, Inc. http://www.innet-tech.com	
 Stewart Connector Systems http://www.stewartconnector.com	
SHEET 1 OF 4	DRAWING NO. SI-50064 REV X

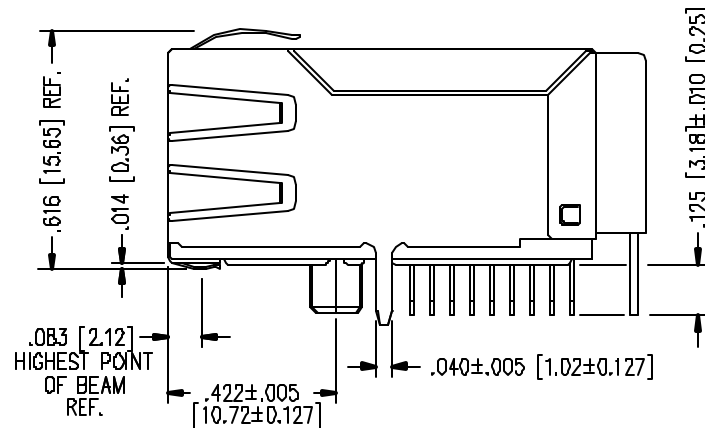
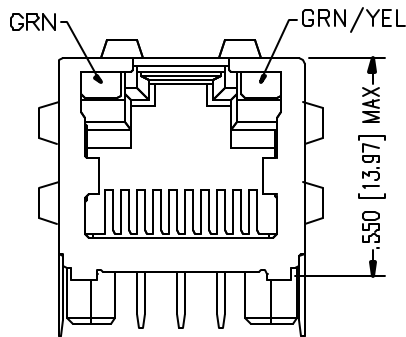
ELECTRICAL SPECIFICATIONS:

1.0 TURNS RATIO: ((TD-) - (TD+)) . ((MX-) - (MX+))	: 1CT : 1CT ±3%
2.0 INDUCTANCE: ((TD-) - (TD+))	: 350 uH MIN. @ 0.01V, 100KHz, 8 mA DC BIAS
3.0 LEAKAGE INDUCTANCE: ((TD-) - (TD+)) {WITH {MX-} AND {MX+} SHORT}	: 0.3uH MAX. @ 1MHz
4.0 INTERWINDING CAPACITANCE: ((TD-) - (TD+)) TO ((MX-) - (MX+))	: 70pf MAX @ 1MHz
5.0 DC RESISTANCE: ((MX-) - (MX+))	: 1.2 ohms Max.
6.0 RETURN LOSS: 1MHz TO 30MHz 30MHz TO 80MHz	: -18dB MIN. : -12+20 LOG ($\frac{F}{80MHz}$)
7.0 DIELECTRIC WITHSTAND: ((TD+) - (TD-)) TO ((MX-) - (MX+))	: 1500 VAC
8.0 INSERTION LOSS: RS=RL=100 ohms 100KHz TO 100MHz	: -1.1 dB MAX
9.0 RISE TIME: RS=100 OHMS AND RL = 100 OHMS OUTPUT VOLTAGE = 1 V peak PULSE WIDTH= 112nS	: 3.0 nS MAX : 3.0 nS MAX
10.0 CROSS TALK: 1-100 MHz	: -33 dB MIN
11.0 COMMON TO COMMON MODE ATTENUATION: 1MHz TO 100MHz	: -35dB TYP

 InNet Technologies, Inc. http://www.innet-tech.com	
 Stewart Connector Systems http://www.stewartconnector.com	
SHEET 2 OF 4	DRAWING NO. SI-50064 REV X



P.C.B. RECOMMENDED HOLE LAYOUT
 SEEN FROM COMPONENT SIDE
 TOLERANCE ±.003 [0.08] UNLESS OTHERWISE SPECIFIED



- NOTES:
- TOLERANCES COMPLY WITH F.C.C. DIMENSION REQUIREMENTS
 - DIMENSIONS SHOWN WITH "*" TO BE CENTRAL ABOUT CENTER LINE
 - DIMENSIONS SHOWN ARE SUBJECT TO CHANGE WITHOUT NOTICE.
 - PIN NOT ELECTRICALLY CONNECTED MAYBE OMITTED. SEE ELECTRICAL DRAWING FOR OMITTED PINS.
 - 50 MICRO-INCH SELECTIVE GOLD PLATING

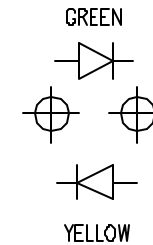
LED COLOR COMBINATIONS:

- YELLOW, RED & GREEN
- AVAILABLE IN ANY COMBINATION

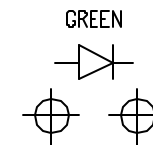
STANDARD LED	WAVELENGTH	* Forward V (MAX)	(TYP)
YELLOW	590 nm	2.5 V	2.1 V
GREEN	565 nm	2.5 V	2.2 V

* WITH A FORWARD CURRENT OF 20 mA

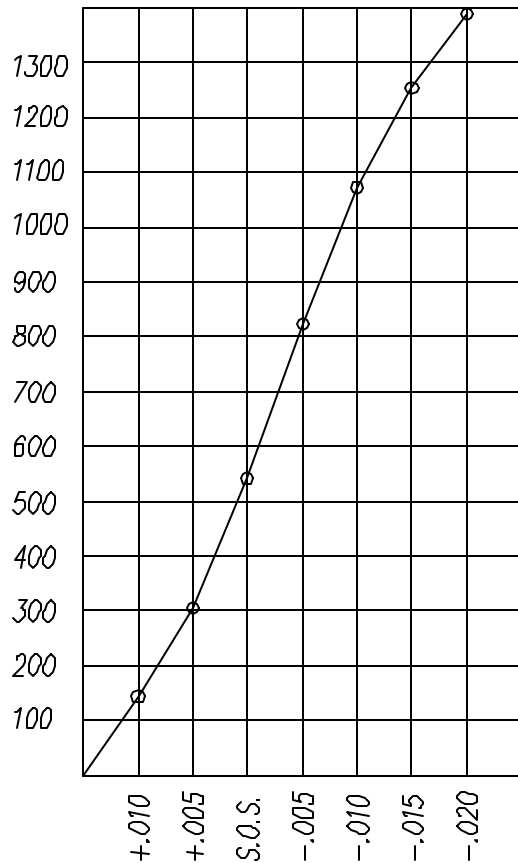
BICOLOR LED POLARITY



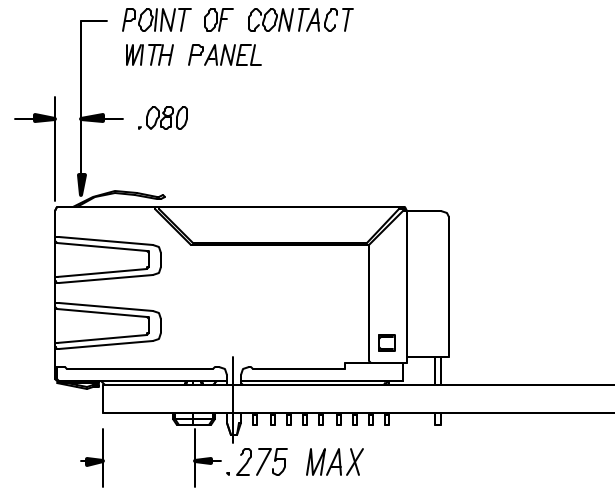
SINGLE COLOR LED POLARITY



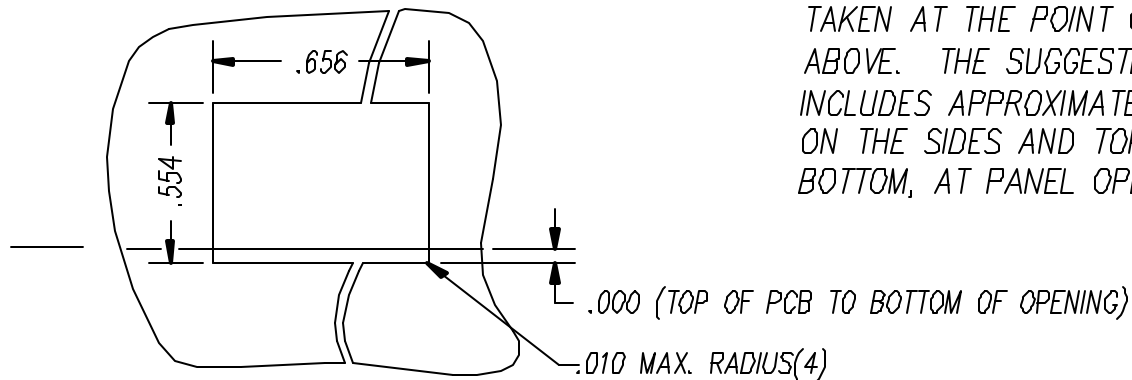
	InNet Technologies, Inc. http://www.innet-tech.com	
	Stewart Connector Systems http://www.stewartconnector.com	
SHEET 3 OF 4	DRAWING NO. SI-50064	REV X



PANEL GROUNDING BEAM DEFLECTION
S.O.S. = SUGGESTED OPENING SIZE



THE SUGGESTED PANEL OPENING IS INTENDED TO GIVE THE USER THE ABILITY TO HAVE REASONABLE JACK / PANEL CLEARANCES YET MAINTAIN RELIABLE GROUNDING CAPABILITY. THESE VARIABLES CAN BE ADJUSTED IN EITHER DIRECTION BUT MAY CARRY SOME CONSEQUENCES IN THE FORM OF LOWER MATING FORCES OR TIGHTER ASSEMBLY TOLERANCES. FORCE VALUES ON THE GRAPH ARE GENERAL AVERAGES TAKEN AT THE POINT OF CONTACT SHOWN ABOVE. THE SUGGESTED PANEL OPENING INCLUDES APPROXIMATELY .020 CLEARANCE ON THE SIDES AND TOP AND .013 ON THE BOTTOM, AT PANEL OPENING.



SUGGESTED PANEL OPENING

	InNet Technologies, Inc. http://www.innet-tech.com	
	Stewart Connector Systems http://www.stewartconnector.com	
SHEET 4 OF 4	DRAWING NO. SI-50064	REV X