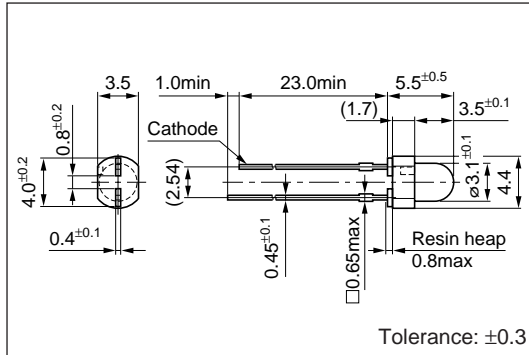


3 ϕ Round LED (Direct Mount)

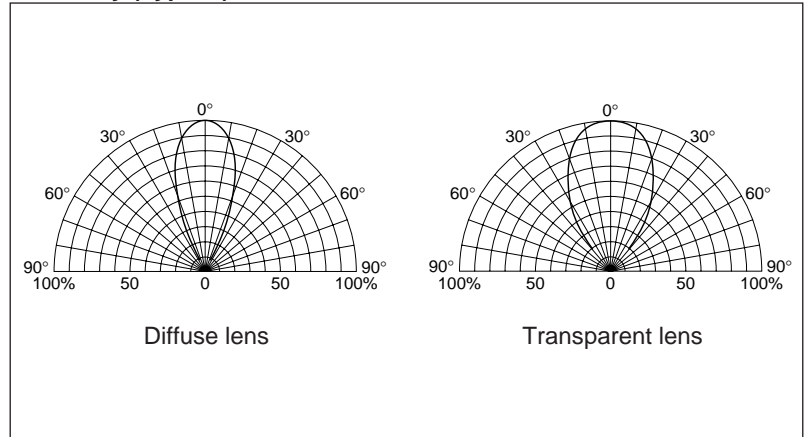
SEL6010 Series

External Dimensions

(Unit: mm)



Directivity (Typical)



Absolute maximum ratings (Ta=25°C)

Symbol	Unit	Rating	Condition
I _F	mA	30	
ΔI _F	mA/°C	-0.45	Above 25°C
I _{FP}	mA	100	f=1kHz, tw≤100μs
V _R	V	3	
Top	°C	-30 to +85	
Tstg	°C	-30 to +100	

Electrical Optical characteristics (Ta=25°C)

Emitting color	Part Number	Lens color	Forward voltage		Reverse current		Intensity		Peak wavelength		Spectrum half width		Chip material	
			V _F (V)	Condition I _F (mA)	I _R (μA)	Condition V _R (V)	I _v (mcd)	Condition I _F (mA)	λ _P (nm)	Condition I _F (mA)	Δλ (nm)	Condition I _F (mA)		
														typ
Deep red	SEL6110S	Transparent red	2.0	2.5	10	50	3	3.9	10	700	10	100	10	GaP
	SEL6110R	Diffused red						2.6						
Red	SEL6210S	Transparent red	1.9	2.5	10	50	3	41	20	630	10	35	10	GaAsP
	SEL6210R	Diffused red						18						
Amber	SEL6810A	Transparent orange	1.9	2.5	10	50	3	22	10	610	10	35	10	GaAsP
	SEL6810D	Diffused orange						9.6						
Orange	SEL6910A	Transparent orange	1.9	2.5	10	50	3	22	10	587	10	33	10	GaAsP
	SEL6910D	Diffused orange						11						
Yellow	SEL6710K	Transparent yellow	2.0	2.5	10	50	3	37	10	570	10	30	10	GaP
	SEL6710Y	Diffused yellow						11						
Green	SEL6410E	Transparent green	2.0	2.5	10	50	3	90	20	560	10	20	10	GaP
	SEL6410G	Diffused green						30						
Pure green	SEL6510C	Clear	2.0	2.5	10	50	3	42	20	555	10	20	10	GaP
	SEL6510G	Diffused green						9.6						