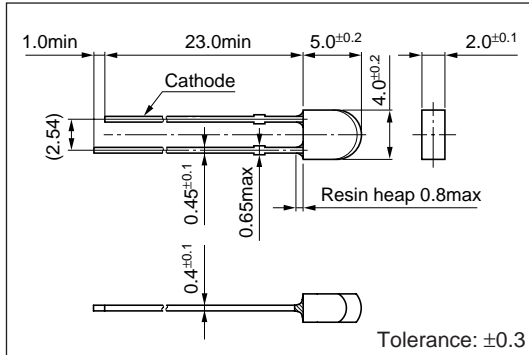


4 ϕ Bow-shaped LED

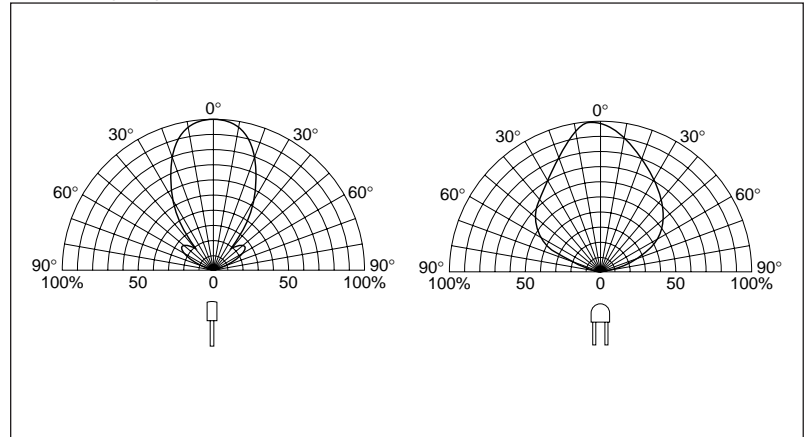
SEL4027 Series

External Dimensions

(Unit: mm)



Directivity (Typical)



Absolute maximum ratings (Ta=25°C)

Symbol	Unit	Rating	Condition
I _F	mA	30	
ΔI _F	mA/°C	-0.45	Above 25°C
I _{FP}	mA	100	f=1kHz, tw≤100μs
V _R	V	3	
Top	°C	-30 to +85	
Tstg	°C	-30 to +100	

Electrical Optical characteristics (Ta=25°C)

Emitting color	Part Number	Lens color	Forward voltage		Reverse current		Intensity		Peak wavelength		Spectrum half width		Chip material	
			V _F		I _R	Condition	I _v	Condition	λ _P	Condition	Δλ	Condition		
			typ	max	(μA)	V _R	(mcd)	I _F	(nm)	I _F	(nm)	I _F		
Red	SEL4227C	Clear	1.9	2.5	10	50	3	15	20	630	10	35	10	GaAsP
Green	SEL4427EP	Transparent green	2.0	2.5	10	50	3	19	20	560	10	20	10	GaP