

Features

- Low Cost and **RoHS** Compliant
- Industry Standard 1 Inch Drop-in package
- Designed for Wireless Telecom Systems
- 50 Ohms Characteristic Impedance

Description

The PC2150DG-21H is a small low cost drop-in circulator designed for applications in high performance linear power amplifiers for wireless base stations. These circulators feature a robust construction for high reliability with excellent IMD performance. These circulators are built Lead-Free and RoHS compliant. CCW rotation and special tab offsets available on request. S-Parameters are also available on request.



DROP-IN CIRCULATOR



Specifications

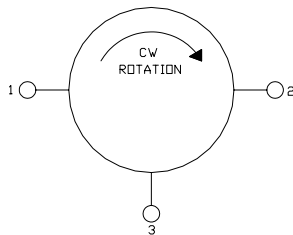
| Parameter | Minimum | Typical | Maximum |
|---------------------------|---------|---------|---------|
| Frequency Range (MHz) | 2100 | | 2200 |
| Insertion Loss (dB) | | < .17 | .30 |
| Isolation (dB) | 20 | >25 | |
| Return Loss (dB) | 20 | >25 | |
| IMD (dBc) 2T x 37.5 Watts | -70 | -75 | |

Absolute Maximum Ratings

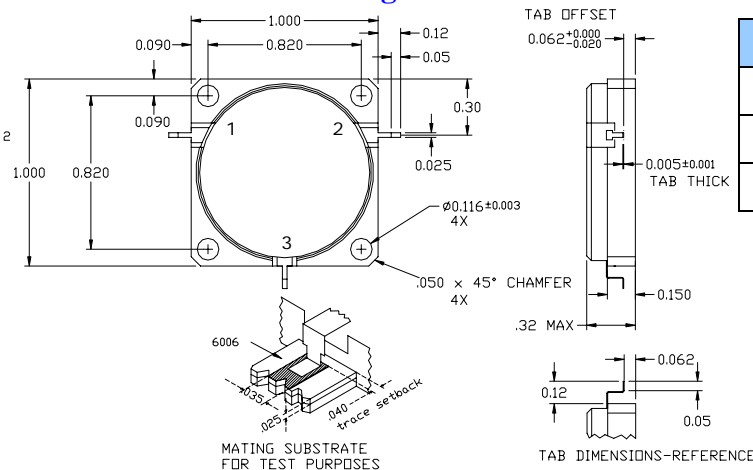
| Parameter | Maximum |
|-----------------------|---------------|
| Power | 100 Watts CW |
| Operating Temperature | -40 to +85 °C |
| Storage Temperature | -40 to +85 °C |

Note: Typical values represent Mid-band performance @ 25°C.

Schematic



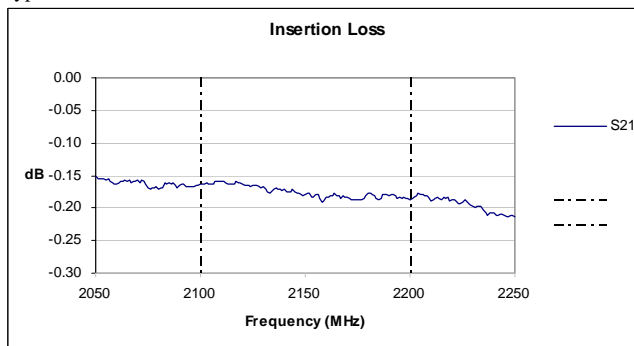
Package



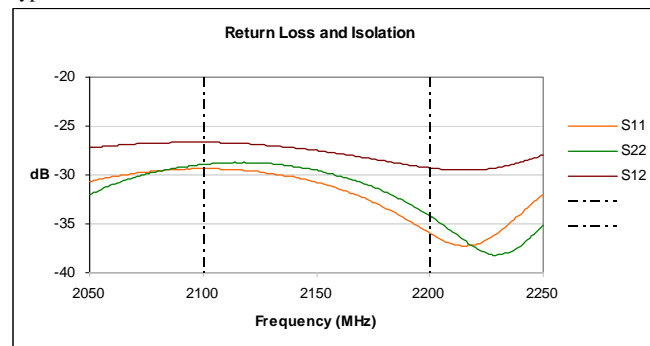
Pin Functions

| Function | Pin |
|------------|-----|
| INPUT | 1 |
| OUTPUT | 2 |
| TERMINATED | 3 |

Typical Test Data – Insertion Loss



Typical Test Data – Return Loss and Isolation



Specifications and information on this data sheet are subject to change without notice.