

## DROP-IN CIRCULATOR

### Features

- Low Cost
- Industry Standard 0.75 Inch Drop-in package
- Designed for Wireless Telecom Systems
- 50 Ohms Characteristic Impedance

### Description

The PC1908DE-21 is a small low cost drop-in circulator designed for applications in high performance linear power amplifiers for wireless base stations. These circulators feature a robust construction for high reliability with excellent IMD performance. CCW rotation and special tab offsets available on request. S-Parameters are also available on request.



### Specifications

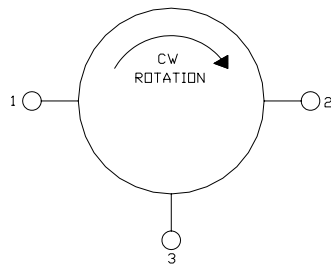
Parameter	Minimum	Typical	Maximum
Frequency Range (MHz)	1895		1920
Insertion Loss (dB)		< .17	.30
Isolation (dB)	20	>28	
Return Loss (dB)	20	>28	
IMD (dBc) 2T x 37.5 Watts	-70	-75	

Note: Typical values represent Mid-band performance @ 25°C.

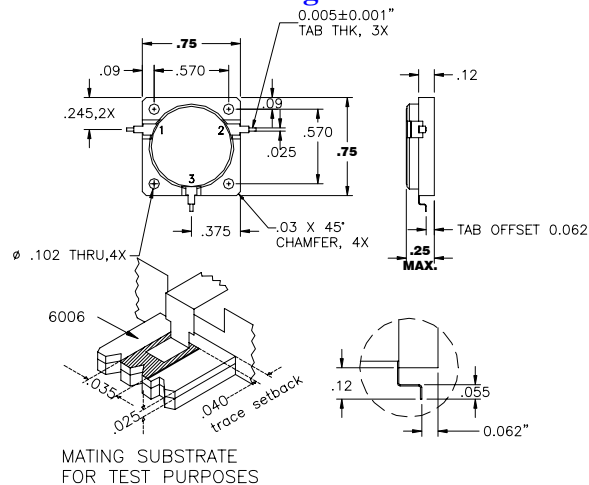
### Absolute Maximum Ratings

Parameter	Maximum
Power	100 Watts CW
Operating Temperature	-40 to +85 °C
Storage Temperature	-40 to +85 °C

### Schematic



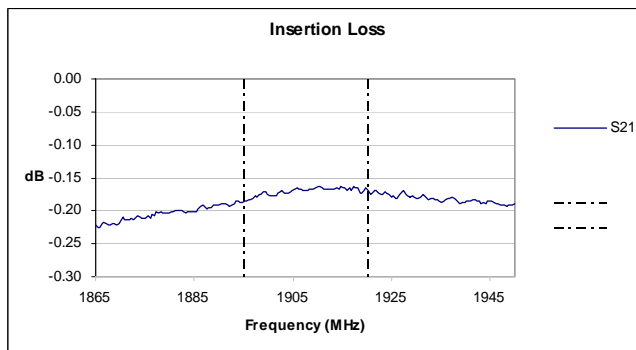
### Package



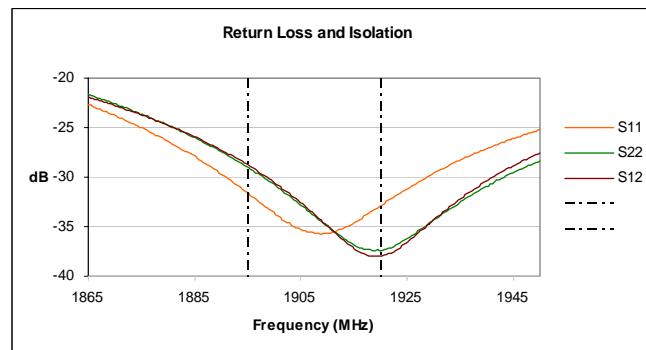
### Pin Functions

Function	Pin
INPUT	1
OUTPUT	2
TERMINATED	3

Typical Test Data – Insertion Loss



Typical Test Data – Return Loss and Isolation



Specifications and information on this data sheet are subject to change without notice.