

Token Ring Transceiver Module

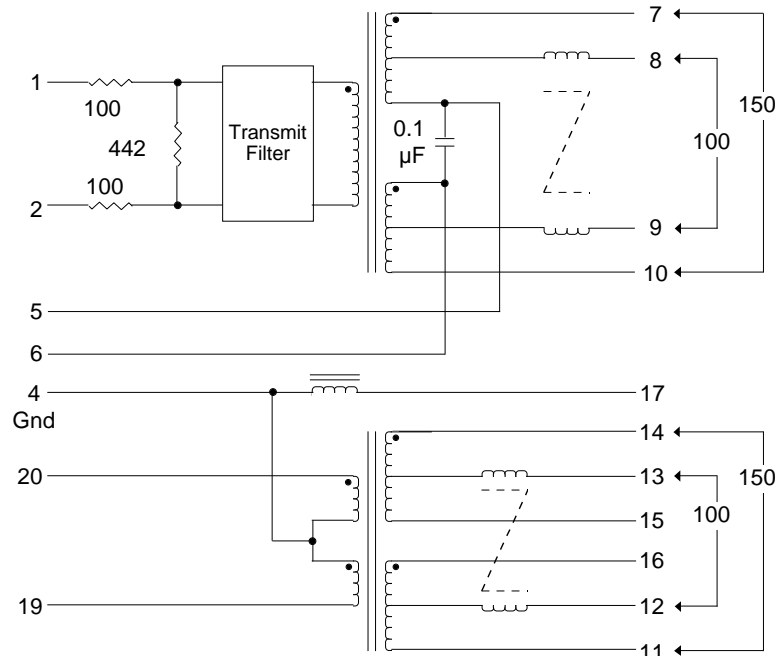
Features

- Designed to interface with Texas Instrument's TI380C60
- Supports both STP and UTP Transmission
- IEEE 802.5 Compatible

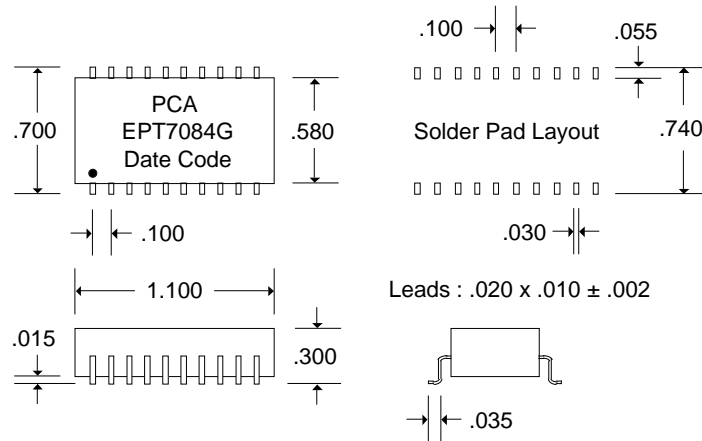
ICT Parameters @ 10 KHz

Parameter	Pins	PCA Part Number			EPT7084G	
		1 - 2	7 - 8, 9 - 10	20 - 19	14 - 15, 16 - 11	
DCR ()	Min.	195	0.5	0.5	0.5	
	Max.	210	2.0	5.0	2.0	
OCL (μH)	Min.	N/A	TBD	400	100	
	Max.	N/A	TBD	800	200	

Schematic



Package



* See the attached sheet for additional specifications.

Token Ring Transceiver Module

Electrical Specifications @ 25 °C (Filter Only)

Parameter	Frequency	Specifications	Xmit	Rcv	Unit
Insertion Loss	1 MHz		0.5	0.5	dB Max.
	4 MHz		0.5	0.5	dB Max.
	8 MHz		0.5	0.5	dB Max.
	16 MHz		0.8	0.5	dB Max.
	24 MHz		1.7	-----	dB Max.
	30 MHz		1.0	-----	dB Min.
	32 MHz		7.0	-----	dB Min.
	36 MHz		25	-----	dB Min.
	44 MHz		30	-----	dB Min.
	48 MHz		30	-----	dB Min.
	75 MHz		25	-----	dB Min.
100 MHz		25	-----	dB Min.	
Differential Phase Delay (Transmit Filter Only)	2-4 MHz	0.0 Min. 0.7 Max.			nS
	8-4 MHz	-0.4 Min. 0.3 Max.			nS
	8-16 MHz	0.5 Min. 1.25 Max.			nS
	8-24 MHz	2.5 Min. 4.8 Max.			nS
	8-28 MHz	4.3 Min. 9.5 Max.			nS
Return Loss	1-6 MHz		14	23	dB Min.
	6-17 MHz		12	20	dB Min.
	17-24 MHz		8	17	dB Min.
CMMR	1 MHz	45			dB Min.
	5 MHz	30			dB Min.
	20 MHz	30			dB Min.
	70 MHz	20			dB Min.
	200 MHz	20			dB Min.
Hipot		500 for 1 min. (TX to RX)			Vrms
Crosstalk (Between Adjacent Channels)	1 MHz	60			dB Min.
	4 MHz	50			dB Min.
	10 MHz	45			dB Min.
	16 MHz	40			dB Min.
	25 MHz	38			dB Min.
Common to Differential Mode Rejection	100 KHz	65			dB Min.
	500 KHz	65			dB Min.
	1 MHz	60			dB Min.
	4 MHz	50			dB Min.
	10 MHz	40			dB Min.
	30 MHz	30			dB Min.
	100 MHz	25			dB Min.