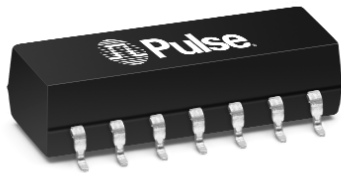







RF/CABLE LOW PASS FILTERS



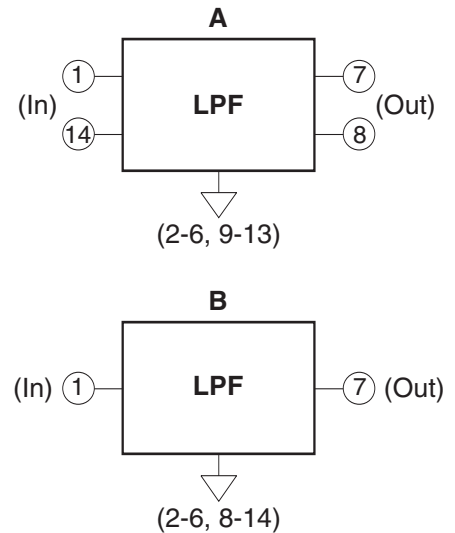
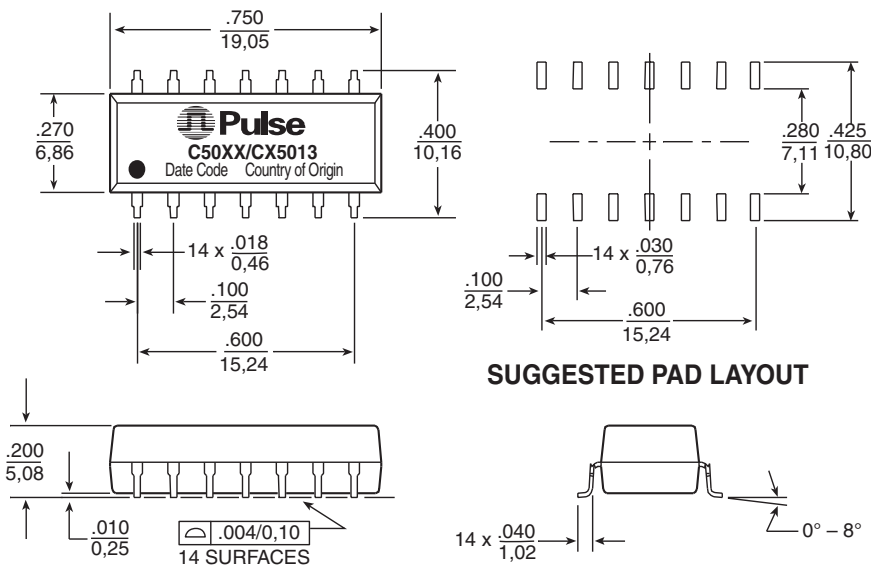
-  For use in HFC, cable modems and termination systems
-  Domestic and international versions
-  Less than 1 dB inband insertion loss
-  Small group delay variation
-  Small surface mount package

Electrical Specifications @ 25°C								
Part Number	In/Out Impedance	Cut-Off Passband Frequency	Insertion Loss (dB MAX)	Return Loss (dB MIN)	GDV (MAX)	Stopband (dB MIN)		Schematics
C5001	150 Ω	50.0 MHz TYP	1.0 @ 1-40 MHz	15 @ 1-40 MHz	30 ns @ 40 MHz	15 @ 75 MHz	28 @ 100-300 MHz	A
C5003	150 Ω	80.0 MHz TYP	1.0 @ 1-65 MHz	15 @ 1-65 MHz	25 ns @ 65 MHz	15 @ 100 MHz	38 @ 165 MHz	A
C5005	75 Ω	59.5 MHz TYP	1.0 @ 1-50 MHz	15 @ 1-50 MHz	—	10 @ 70 MHz	35 @ 100 MHz	40 @ 150-500 MHz
CX5013	75 Ω	68.0 MHz TYP	1.5 @ 1-60 MHz	15 @ 1-60 MHz	35 ns @ 60 MHz	15 @ 75 MHz	30 @ 100-500 MHz	B

Mechanical

Schematic

C500X/CX5013



Weight 1.35 grams
Tape & Reel600/reel
Tube25/tube
Dimensions: $\frac{\text{Inches}}{\text{mm}}$
 Unless otherwise specified,
 all tolerances are $\pm \frac{.010}{0.25}$

For More Information :

UNITED STATES (Worldwide) 12220 World Trade Drive San Diego, CA 92128 U.S.A. http://www.pulseeng.com TEL: 858 674 8100 FAX: 858 674 8262	UNITED KINGDOM (Northern Europe) 1 & 2 Huxley Road The Surrey Research Park Guildford, Surrey GU2 5RE United Kingdom TEL: 44 1483 401700 FAX: 44 1483 401701	FRANCE (Southern Europe) Zone Industrielle F-39270 Orgelet France TEL: 33 3 84 35 04 04 FAX: 33 3 84 25 46 41	SINGAPORE (Southern Asia) 150 Kampong Ampat #07-01/02 KA Centre Singapore 368324 TEL: 65 6287 8998 FAX: 65 6280 0080	TAIWAN, R.O.C. (Northern Asia) 3F-4, No. 81, Sec. 1 HsinTai Wu Road Hsi-Chih, Taipei Hsien Taiwan, R.O.C. Tel: 886 2 2698 0228 FAX: 886 2 2698 0948	HONG KONG (China/Hong Kong) 9/F, Phase 2, Tai Sang Shatin Warehouse Centre 6 Wong Chuk Yeung Street Fotan, Shatin, Hong Kong TEL: 852 2788 6588 FAX: 852 2776 1055	DISTRIBUTOR
--	--	---	--	---	--	--------------------

Performance warranty of products offered on this data sheet is limited to the parameters specified. Data is subject to change without notice. Other brand and product names mentioned herein may be trademarks or registered trademarks of their respective owners.