

AG603-89

InGaP HBT Gain Block

Product Information



Product Features

- DC – 3000 MHz
- +19.5 dBm P1dB at 900 MHz
- +33 dBm OIP3 at 900 MHz
- 18.5 dB Gain at 900 MHz
- Single Voltage Supply
- Internally matched to 50 Ω
- Lead-free/Green/RoHS-compliant SOT-89 Package
- MTTF > 1000 years

Applications

- Mobile Infrastructure
- CATV / DBS
- W-LAN / ISM
- RFID
- Defense / Homeland Security
- Fixed Wireless

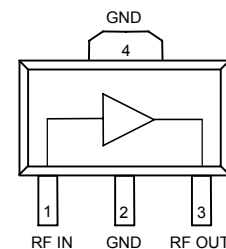
Product Description

The AG603-89 is a general-purpose buffer amplifier that offers high dynamic range in a low-cost surface-mount package. At 900 MHz, the AG603-89 typically provides 18.5 dB of gain, +33 dBm Output IP3, & +19.5 dBm P1dB. The device combines dependable performance with superb quality to maintain MTTF values exceeding 1000 years at mounting temperatures of +85°C and is available in the environmentally-friendly lead-free/green/RoHS-compliant SOT-89 package.

The AG603-89 consists of Darlington pair amplifiers using the high reliability InGaP/GaAs HBT technology process technology and only requires DC-blocking capacitors, a bias resistor, and an inductive RF choke for operation.

The broadband MMIC amplifier can be directly applied to various current and next generation wireless technologies such as GPRS, GSM, CDMA, and W-CDMA. In addition, the AG603-89 will work for other various applications within the DC to 3 GHz frequency range such as CATV and fixed wireless.

Functional Diagram



Function	Pin No.
Input	1
Output/Bias	3
Ground	2, 4

Specifications ⁽¹⁾

Parameter	Units	Min	Typ	Max
Operational Bandwidth	MHz	DC		3000
Test Frequency	MHz		900	
Gain	dB		18.5	
Input Return Loss	dB		18	
Output Return Loss	dB		14	
Output IP3 ⁽²⁾	dBm		+33.2	
Output IP2	dBm		+45	
Output P1dB	dBm		+19.3	
Noise Figure	dB		3.9	
Test Frequency	MHz		1900	
Gain	dB	15.5	16.5	17.5
Output IP3 ⁽²⁾	dBm		+33.0	
Output P1dB	dBm		+18.7	
Device Voltage	V		5.16	
Device Current	mA		75	

1. Test conditions: 25° C, Supply Voltage = +6 V, R_{bias} = 11.2 Ω, 50 Ω System.
 2. 3OIP measured with two tones at an output power of +2 dBm/tone separated by 10 MHz. The suppression on the largest IM3 product is used to calculate the 3OIP using a 2:1 rule.

Typical Performance ⁽¹⁾

Parameter	Units	Typical			
Frequency	MHz	500	900	1900	2140
S21	dB	19.1	18.5	16.5	16.0
S11	dB	-16	-18	-24	-21
S22	dB	-18	-14	-11	-11
Output P1dB	dBm	+19.3	+19.3	+18.7	+18.6
Output IP3 ⁽²⁾	dBm	+33.6	+33.2	+33.0	+33.0
Noise Figure	dB	3.8	3.9	4.1	4.1

Absolute Maximum Rating

Parameter	Rating
Operating Case Temperature	-40 to +85 °C
Storage Temperature	-55 to +150 °C
DC Voltage	+7 V
RF Input Power (continuous)	+10 dBm
Junction Temperature	+250° C

Operation of this device above any of these parameters may cause permanent damage.

Ordering Information

Part No.	Description
AG603-89*	InGaP HBT Gain Block (lead-tin SOT-89 Pkg)
AG603-89G	InGaP HBT Gain Block (lead-free/green/RoHS-compliant SOT-89 Pkg)
AG603-89PCB	700 – 2400 MHz Fully Assembled Eval. Board

* This package is being phased out in favor of the green package type which is backwards compatible for existing designs. Refer to Product Change Notification WJPCN06MAY05TC1 on the WJ website.

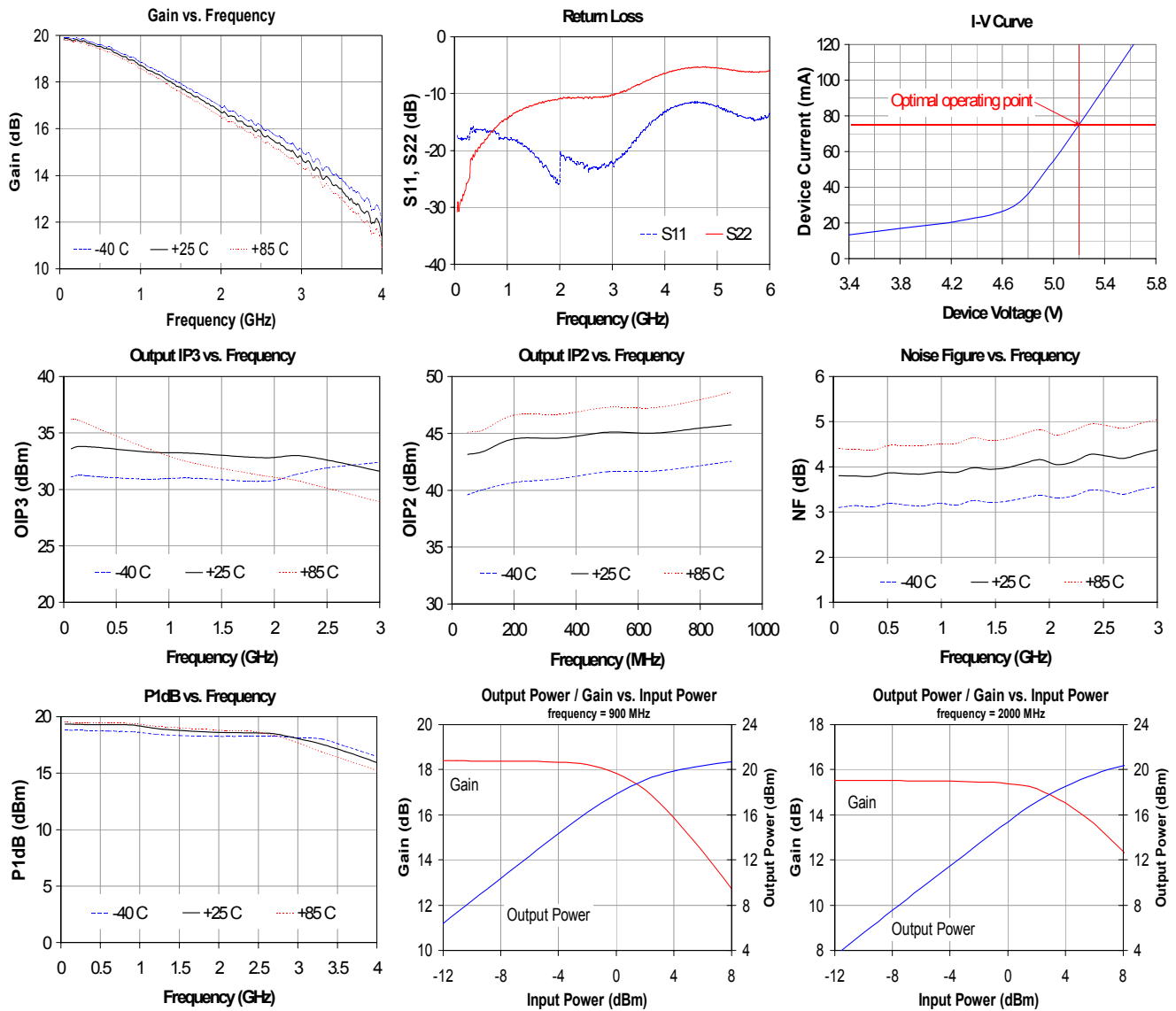
Specifications and information are subject to change without notice



Typical Device RF Performance Supply Bias = +6 V, $R_{bias} = 11.2 \Omega$, $I_{cc} = 75 \text{ mA}$

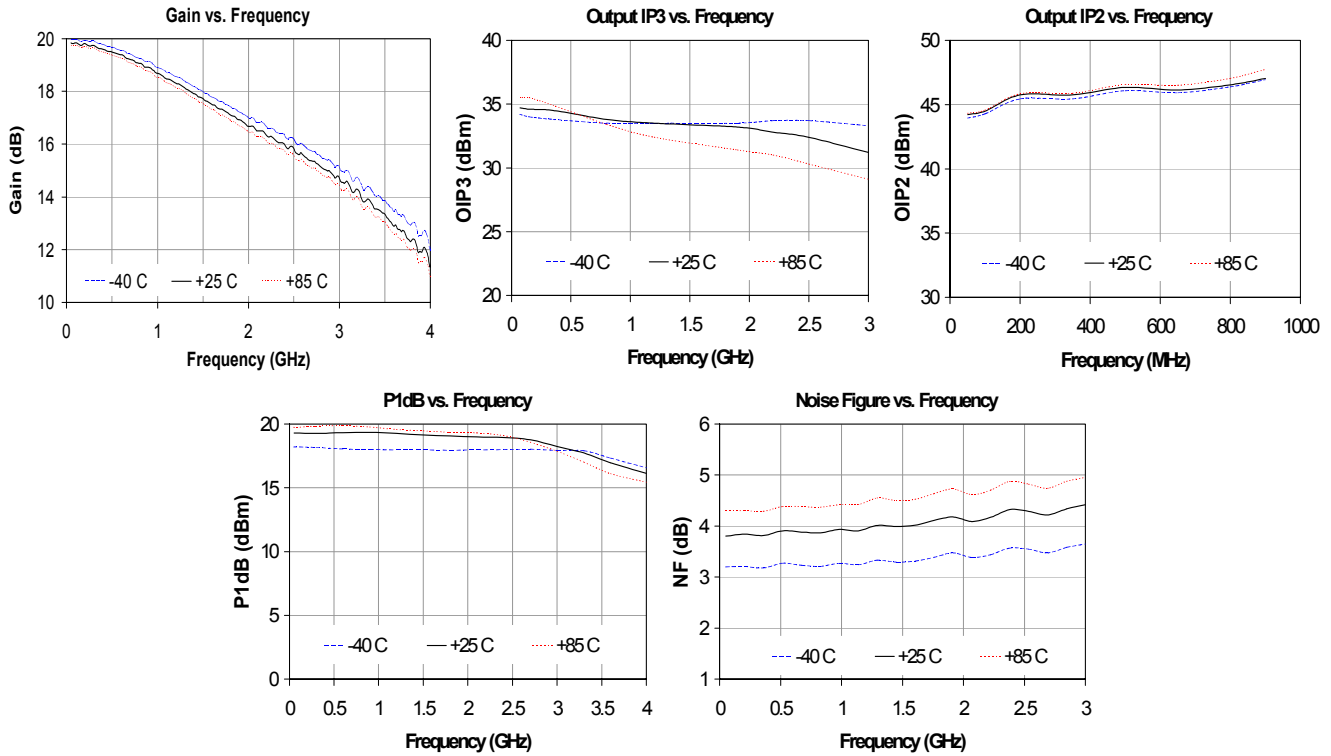
Frequency	MHz	100	500	900	1900	2140	2400	3500	5800
S21	dB	19.4	19.1	18.5	16.5	16.0	15.5	13.5	9.7
S11	dB	-18	-16	-18	-24	-21	-22	-17	-14
S22	dB	-29	-18	-14	-11	-11	-10	-8	-6
Output P1dB	dBm	+19.3	+19.3	+19.3	+18.7	+18.6	+18.6	+17.0	
Output IP3	dBm	+33.7	+33.6	+33.2	+33.0	+33.0	+32.8		
Noise Figure	dB	3.8	3.8	3.9	4.1	4.1	4.2		

1. Test conditions: T = 25°C, Supply Voltage = +6 V, Device Voltage = 5.16 V, $R_{bias} = 11.2 \Omega$, $I_{cc} = 75 \text{ mA}$ typical, 50 Ω System.
2. 3OIP measured with two tones at an output power of +2 dBm/tone separated by 10 MHz. The suppression on the largest IM3 product is used to calculate the 3OIP using a 2:1 rule.
3. Data is shown as device performance only. Actual implementation for the desired frequency band will be determined by external components shown in the application circuit.

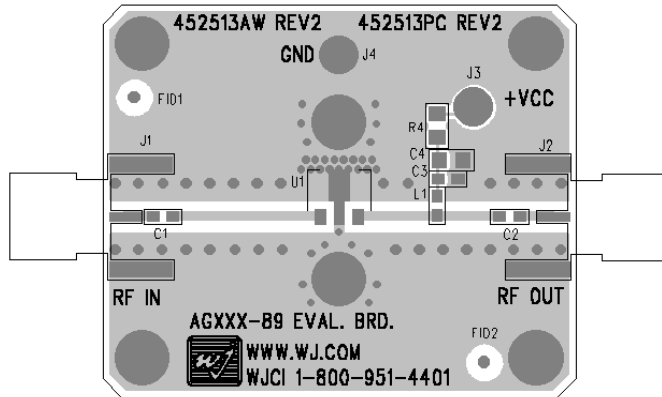
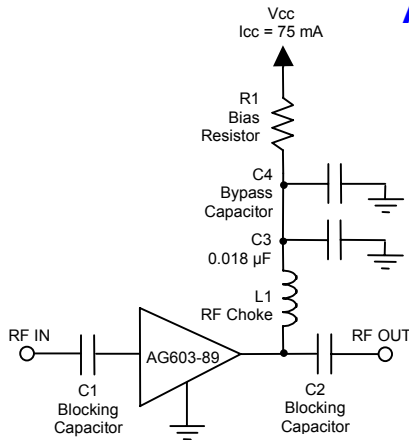


Typical Device RF Performance (cont'd)

Supply Bias = +8 V, $R_{bias} = 38 \Omega$, $I_{cc} = 75 \text{ mA}$



Application Circuit



Recommended Component Values

Reference Designator	Frequency (MHz)						
	50	500	900	1900	2200	2500	3500
L1	820 nH	220 nH	68 nH	27 nH	22 nH	18 nH	15 nH
C1, C2, C4	.018 μF	1000 pF	100 pF	68 pF	68 pF	56 pF	39 pF

- The proper values for the components are dependent upon the intended frequency of operation.
- The following values are contained on the evaluation board to achieve optimal broadband performance:

Ref. Desig.	Value / Type	Size
L1	39 nH wirewound inductor	0603
C1, C2	56 pF chip capacitor	0603
C3	0.018 μF chip capacitor	0603
C4	Do Not Place	
R1	10.0 Ω 1% tolerance	0805

Recommended Bias Resistor Values

Supply Voltage	R1 value	Size
6 V	11.2 ohms	0805
7 V	24.5 ohms	1210
8 V	38 ohms	1210
9 V	51 ohms	2010
10 V	65 ohms	2010
12 V	91 ohms	2512

The proper value for R1 is dependent upon the supply voltage and allows for bias stability over temperature. WJ recommends a minimum supply bias of +6 V. A 1% tolerance resistor is recommended.

Specifications and information are subject to change without notice

AG603-89

InGaP HBT Gain Block

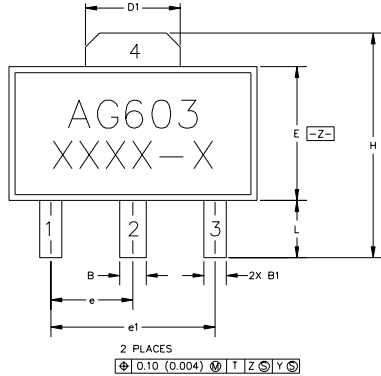
Product Information



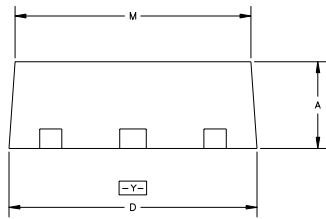
AG603-89 (SOT-89 Package) Mechanical Information

This package may contain lead-bearing materials. The plating material on the leads is SnPb.

Outline Drawing



SYMBOL	MIN	MAX
A	1.40 (.055)	1.60 (.063)
B	.44 (.017)	.56 (.022)
B1	.36 (.014)	.48 (.019)
C	.44 (.014)	.44 (.017)
D	4.40 (.173)	4.60 (.181)
D1	1.62 (.064)	1.83 (.072)
E	2.29 (.090)	2.60 (.102)
E1	2.01 (.079)	2.29 (.090)
e	1.50 BSC (.059)	
e1	3.00 BSC (.118)	
H	3.94 (.155)	4.25 (.167)
L	.39 (.035)	1.20 (.047)
M	4.04 (.159)	4.19 (.165)



NOTES:

1. DIMENSIONS CONFORM WITH JEDEC TO-243C WHERE INDICATED.
2. DIMENSIONS ARE EXPRESSED IN MILLIMETERS.
3. DIMENSIONING AND TOLERANCING IN ACCORDANCE WITH ASME Y14.5.

Process Marking

The AG603-89 will be marked with an "AG603" identifier, an alpha-numeric lot code "XXXX-X" (no mark below the part number on the top surface of the part), and a date code. Specifics for this part are located on the web page in the "Application Notes" section.

MSL ESD Rating

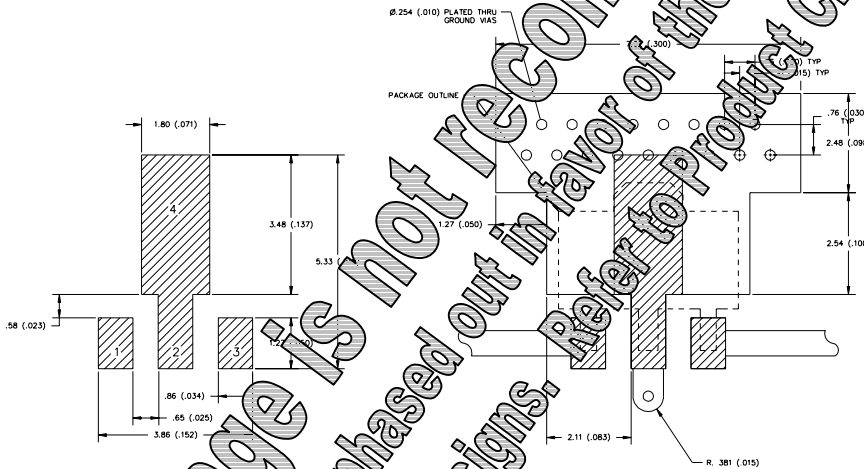
Caution! ESD sensitive device.

ESD Rating: Class 1C
 Passes at 1000 V min.
 Human Body Model (HBM)
 Standard: JEDEC Standard JESD22-A114

ESD Rating: Class IV
 Value: Passes at 1000 V min.
 Test: Charged Device Model (CDM)
 Standard: JEDEC Standard JESD22-C101

MSL Rating: Level 3 at +235° C convection reflow
 Standard: JEDEC Standard J-STD-020

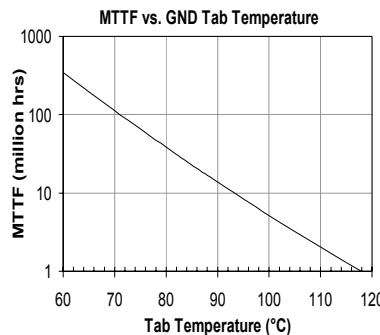
Land Pattern



Thermal Specifications

Parameter	Value	Reference
Operating Case Temperature, T _{oc}	+85°C	
Thermal Resistance, R _{θjc} (1)	4° C/W	
Junction Temperature, T _{jc} (2)	145° C	

Thermal resistance is referenced from the hottest part of the package to the lead tab (pin 4). This corresponds to the typical biasing condition of +5.16V, 10mA at +85°C case temperature. A minimum MTF of one million hours is achieved for junction temperatures below 177° C.



Mounting Config. Notes

1. Ground / thermal vias are critical for the proper performance of this device. Vias should use a .35mm (#80 / .0135") diameter drill and have a final plated thru diameter of .25 mm (.010").
2. Add as much copper as possible to inner and outer layers near the part to ensure optimal thermal performance.
3. Mounting screws can be added near the part to fasten the board to a heatsink. Ensure that the ground / thermal via region contacts the heatsink.
4. Do not put solder mask on the backside of the PC board in the region where the board contacts the heatsink.
5. RF trace width depends upon the PC board material and construction.
6. Use 1 oz. Copper minimum.
7. All dimensions are in millimeters (inches). Angles are in degrees.

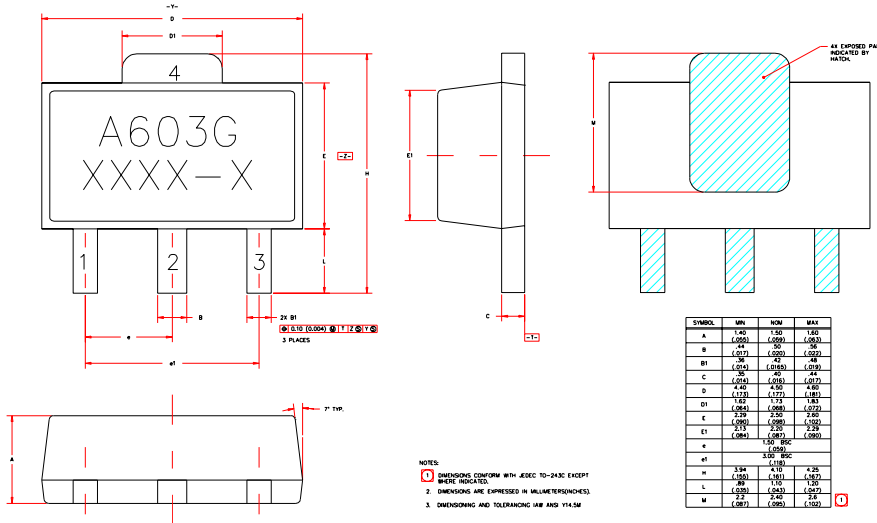
Specifications and information are subject to change without notice



AG603-89G (Green / Lead-free SOT-89 Package) Mechanical Information

This package is lead-free/Green/RoHS-compliant. It is compatible with both lead-free (maximum 260°C reflow temperature) and leaded (maximum 245°C reflow temperature) soldering processes. The plating material on the leads is NiPdAu.

Outline Drawing



Product Marking

The AG603-89G will be marked with an "A603G" designator. An alphanumeric lot code ("XXXX-X") is also marked below the part designator on the top surface of the package.

Tape and reel specifications for this part are located on the website in the "Application Notes" section.

MSL / ESD Rating



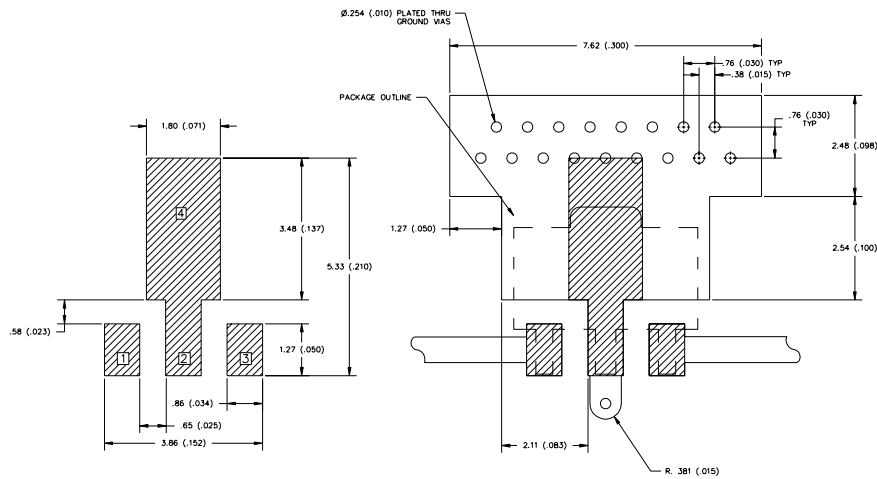
Caution! ESD sensitive device.

ESD Rating: Class 1C
 Value: Passes at 1000 V min.
 Test: Human Body Model (HBM)
 Standard: JEDEC Standard JESD22-A114

ESD Rating: Class IV
 Value: Passes at 1000 V min.
 Test: Charged Device Model (CDM)
 Standard: JEDEC Standard JESD22-C101

MSL Rating: Level 3 at +260°C convection reflow
 Standard: JEDEC Standard J-STD-020

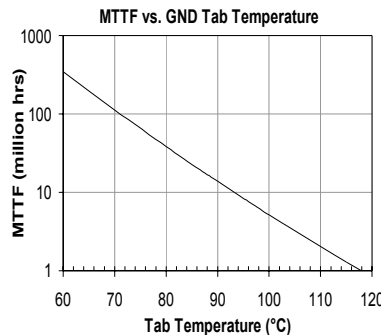
Land Pattern



Thermal Specifications

Parameter	Rating
Operating Case Temperature	-40 to +85°C
Thermal Resistance, Rth ⁽¹⁾	154° C/W
Junction Temperature, Tjc ⁽²⁾	145° C

- The thermal resistance is referenced from the hottest part of the junction to the ground tab (pin 4).
- This corresponds to the typical biasing condition of +5.16V, 75 mA at an 85°C case temperature. A minimum MTTF of 1 million hours is achieved for junction temperatures below 177 °C.



Mounting Config. Notes

- Ground / thermal vias are critical for the proper performance of this device. Vias should use a .35mm (#80 / .0135") diameter drill and have a final plated thru diameter of .25mm (.010").
- Add as much copper as possible to inner and outer layers near the part to ensure optimal thermal performance.
- Mounting screws can be added near the part to fasten the board to a heatsink. Ensure that the ground / thermal via region contacts the heatsink.
- Do not put solder mask on the backside of the PC board in the region where the board contacts the heatsink.
- RF trace width depends upon the PC board material and construction.
- Use 1 oz. Copper minimum.
- All dimensions are in millimeters (inches). Angles are in degrees.



Typical Device Data

S-Parameters ($V_{\text{device}} = +5.16 \text{ V}$, $I_{\text{CC}} = 75 \text{ mA}$, $T = 25^\circ\text{C}$, calibrated to device leads)

Freq (MHz)	S11 (dB)	S11 (ang)	S21 (dB)	S21 (ang)	S12 (dB)	S12 (ang)	S22 (dB)	S22 (ang)
50	-17.44	-179.21	19.75	176.96	-22.08	-0.65	-30.21	-157.09
200	-17.86	168.31	19.65	168.30	-22.66	-1.65	-27.05	-142.04
400	-16.86	159.99	19.46	156.69	-22.45	-4.78	-19.92	-154.47
600	-16.65	152.15	19.27	145.46	-22.66	-6.89	-17.99	-153.44
800	-17.00	141.81	19.01	134.79	-22.61	-8.25	-15.80	-156.71
1000	-17.80	130.88	18.59	124.33	-22.66	-13.12	-14.49	-160.35
1200	-18.35	122.68	18.23	114.14	-22.32	-11.61	-13.11	-164.49
1400	-19.71	111.22	17.85	104.61	-22.59	-15.66	-12.41	-167.37
1600	-21.40	99.65	17.41	95.39	-22.23	-15.55	-11.65	-171.68
1800	-23.69	85.15	16.98	86.59	-22.09	-17.93	-11.28	-176.17
2000	-24.74	60.37	16.56	77.95	-21.89	-20.42	-10.95	179.74
2200	-21.48	31.65	16.20	69.86	-21.75	-22.36	-10.72	-174.12
2400	-22.19	22.14	15.83	61.77	-21.48	-25.01	-10.68	176.24
2600	-23.02	18.76	15.59	56.10	-21.51	-29.83	-10.77	168.29
2800	-22.68	16.53	15.21	48.03	-20.89	-32.72	-10.61	156.45
3000	-22.25	26.15	14.81	39.30	-21.00	-31.75	-10.22	143.79
3200	-20.67	38.96	14.42	31.54	-20.77	-36.35	-9.67	128.81
3400	-18.61	48.76	14.00	23.15	-20.71	-39.94	-8.83	115.67
3600	-16.33	52.23	13.54	15.17	-20.74	-44.90	-7.92	102.90
3800	-14.62	55.47	13.08	7.75	-20.32	-49.09	-7.12	93.41
4000	-13.12	55.09	12.59	0.02	-20.50	-52.56	-6.47	84.81
4200	-12.22	54.61	12.08	-7.23	-20.33	-57.02	-5.90	77.48
4400	-11.70	53.37	11.67	-13.95	-20.06	-60.66	-5.52	71.58
4600	-11.59	52.76	11.34	-21.14	-20.06	-64.89	-5.34	66.52
4800	-11.75	51.31	11.03	-27.93	-20.03	-67.47	-5.38	61.22
5000	-12.17	48.19	10.84	-35.22	-19.48	-72.90	-5.48	56.23
5200	-13.09	45.30	10.66	-42.36	-19.48	-78.44	-5.72	50.52
5400	-13.98	39.58	10.40	-49.64	-19.07	-83.37	-6.07	44.50
5600	-14.30	30.85	10.25	-57.78	-18.93	-86.28	-6.15	36.01
5800	-14.49	20.09	10.05	-65.90	-18.73	-93.20	-6.18	27.10
6000	-13.49	5.63	9.76	-74.55	-18.78	-102.14	-5.94	16.34

Device S-parameters are available for download off of the website at: <http://www.wj.com>