



PRELIMINARY

SOLID STATE DEVICES, INC

14849 Firestone Boulevard · La Mirada, CA 90638
Phone: (714) 670-SSDI (7734) · Fax: (714) 522-7424

**SED150LB45
SED150LE45**

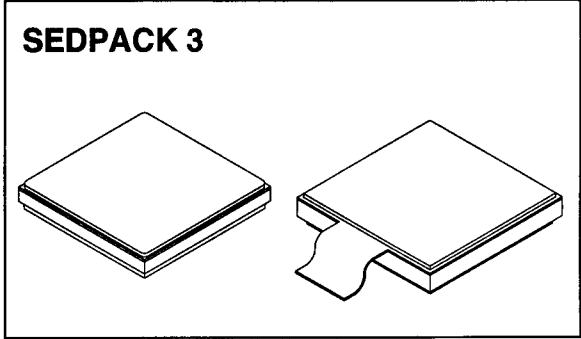
Designer's Data Sheet

FEATURES:

- Low Reverse Leakage
- Low Forward Voltage Drop
- Hermetically Sealed Power Surface Mount Package
- Guard Ring for Overvoltage protection
- Eutectic Die Attach
- 175°C Operating Temperature

- TX, TXV and Space Level Screening Available

**150 AMPS
45 VOLTS
SCHOTTKY
RECTIFIER**



MAXIMUM RATINGS

RATING	SYMBOL	VALUE	UNIT
Peak Repetitive Reverse and DC Blocking Voltage	VRRM VRWM VR	45	Volts
Average Rectified Forward Current (Resistive Load, 60Hz, Sine Wave, TC=100°C)	Io	150	Amps
Peak Surge Current (8.3 ms Pulse, Half Sine Wave Superimposed on Io, allow junction to reach equilibrium between pulses, TA=25°C)	IFSM	1000	Amps
Operating and storage temperature	Top & Tstg	-55 TO +175	°C
Maximum Thermal Resistance Junction to Case	RθJC	0.3	°C/W

ELECTRICAL CHARACTERISTICS

Instantaneous Forward Voltage Drop (IF = 50 Adc, TA=25°C, 300µs Pulse) (IF = 110 Adc, TA=25°C, 300µs Pulse) (IF = 150 Adc, TA=25°C, 300µs Pulse)	VF1	0.55 0.65 0.78	Vdc
Instantaneous Forward Voltage Drop (IF = 150 Adc, TA= +125°C, 300µs Pulse)	VF2	0.73	Vdc
Reverse Leakage Current (Rated VR, TA=25°C, 300µs pulse minimum)	IR1	12	mA
Reverse Leakage Current (Rated VR, TA=125°C, 300µs pulse minimum)	IR2	500	mA
Junction Capacitance (VR = 5 Vdc, TA=25°C, f= 1 MHz)	CJ	7500	pf

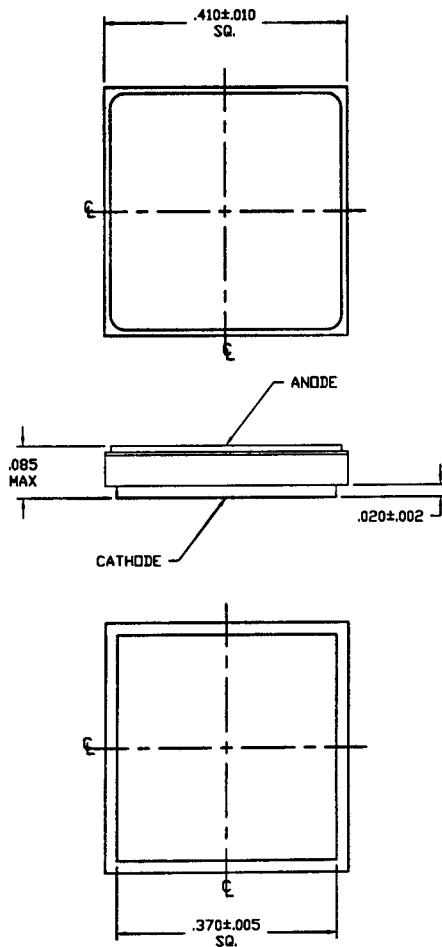
NOTE: All specifications are subject to change without notification.
SCD's for these devices should be reviewed by SSDI prior to release.

DATA SHEET#: RSED17 A

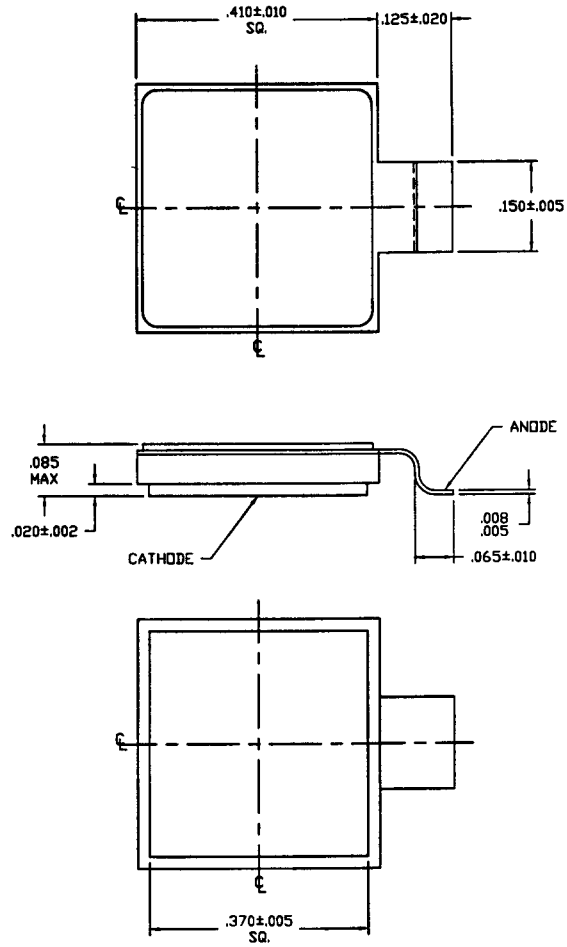
MED

**SED150LB45
 SED150LE45**

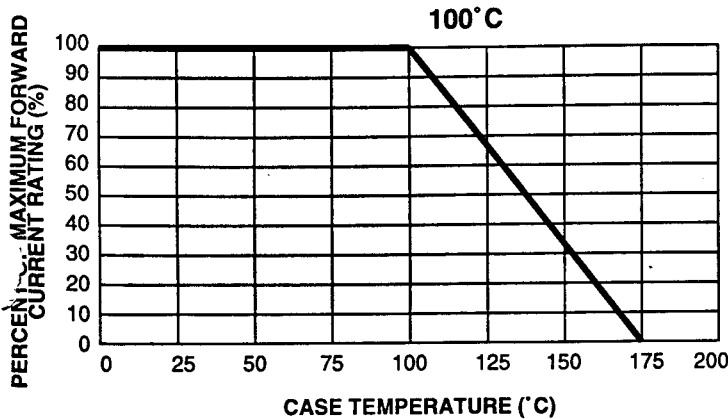
**CASE OUTLINE:
 P/N SED150LB45**



**CASE OUTLINE:
 P/N SED150LE45**



TYPICAL OPERATING CURVES
 (TA=25°C unless otherwise specified)



FORWARD VOLTAGE AT TJ = 25°C

