

CMOS 8-CHANNEL DATA SELECTOR

FEATURES

- ◆ 3-State Output with Disable Control
- ◆ Separate Inhibit Input
- ◆ Selects One of Eight Data Sources
- ◆ Performs Parallel-To-Serial Conversion

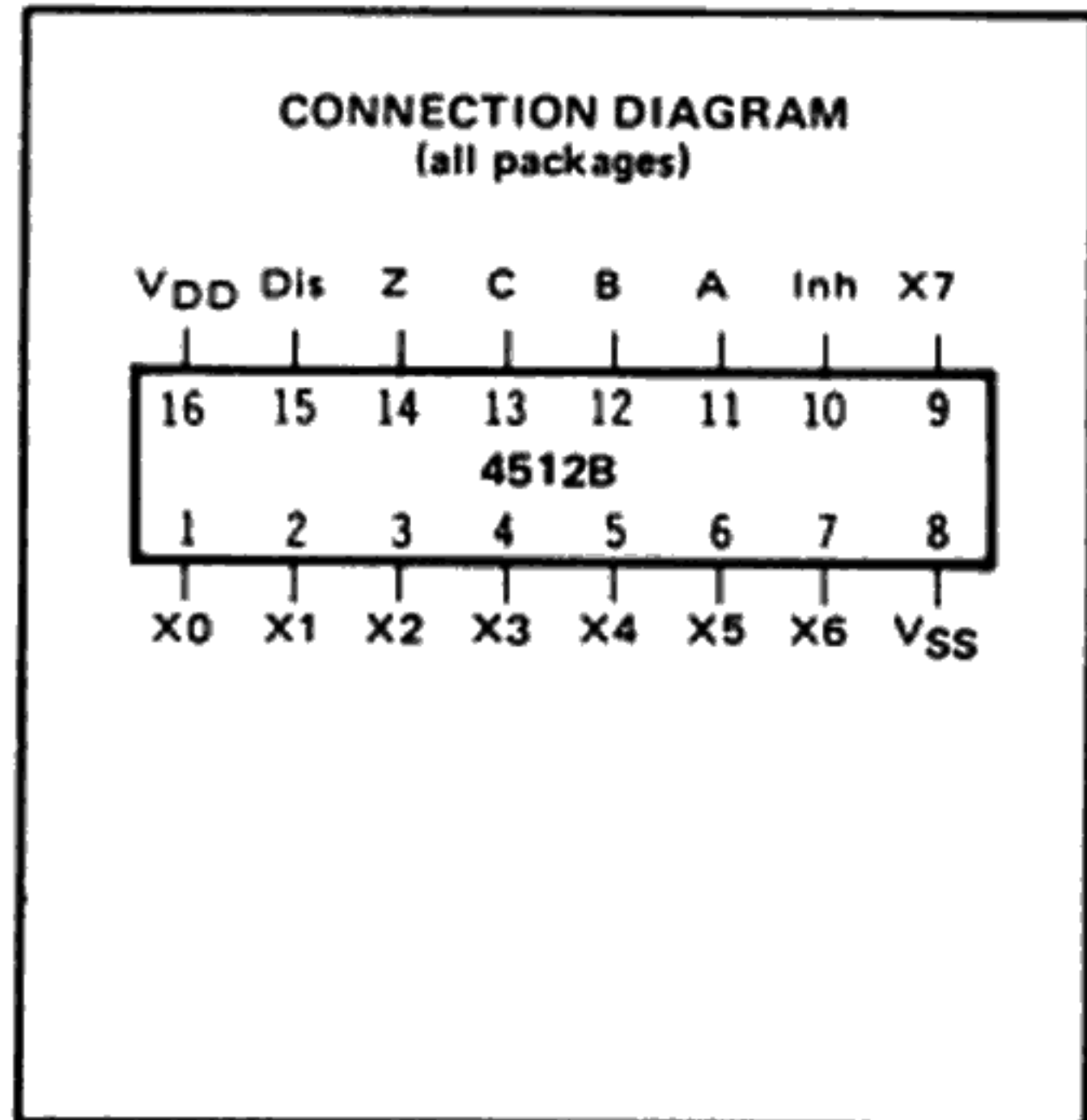
DESCRIPTION

The 4512B is an 8-Channel Data Selector with Function Inhibit and Output Disable controls. One of eight binary inputs is selected by Select inputs A, B, and C, and is routed to the output Z. A high on the Disable input causes the Z output to assume a high-impedance state, regardless of other input conditions. This allows the output to interface directly with bus-oriented systems. When the Inhibit input is high, it forces the output low, providing the Disable input is low. By manipulation of the inputs, the 4512B can provide any logic functions of four variables (see Applications Information).

TRUTH TABLE

| C | B | A | INHIBIT | DISABLE | Z |
|---|---|---|---------|---------|----------------|
| 0 | 0 | 0 | 0 | 0 | X0 |
| 0 | 0 | 1 | 0 | 0 | X1 |
| 0 | 1 | 0 | 0 | 0 | X2 |
| 0 | 1 | 1 | 0 | 0 | X3 |
| 1 | 0 | 0 | 0 | 0 | X4 |
| 1 | 0 | 1 | 0 | 0 | X5 |
| 1 | 1 | 0 | 0 | 0 | X6 |
| 1 | 1 | 1 | 0 | 0 | X7 |
| ◆ | ◆ | ◆ | 1 | 0 | 0 |
| ◆ | ◆ | ◆ | ◆ | 1 | High Impedance |

◆ = Don't Care

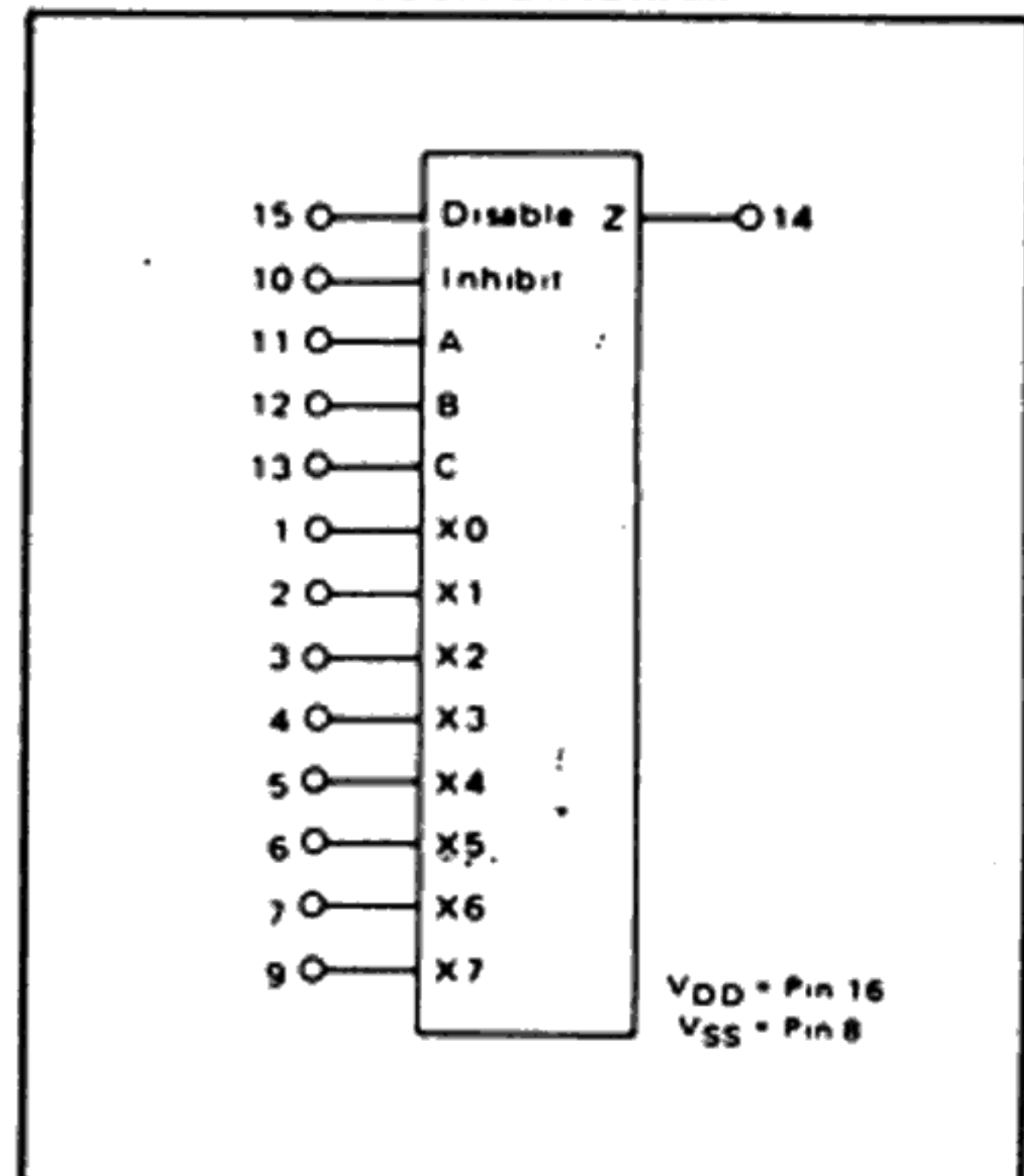


RECOMMENDED OPERATING CONDITIONS

For maximum reliability:

| | | | |
|-----------------------|-------------------|-------------|-----|
| DC Supply Voltage | $V_{DD} - V_{SS}$ | 3 to 15 | Vdc |
| Operating Temperature | T_A | -55 to +125 | °C |
| | | -40 to +85 | °C |

BLOCK DIAGRAM



ELECTRICAL CHARACTERISTICS

STATIC CHARACTERISTICS¹

| PARAMETER | V _{DD} (Vdc) | CONDITIONS | T _{LOW} ² | | +25°C | | | T _{HIGH} ² | | Units |
|--|--------------------------|--|-------------------------------|------|-------|-------------------|------|--------------------------------|------|------------------|
| | | | Min. | Max. | Min. | Typ. | Max. | Min. | Max. | |
| QUIESCENT DEVICE CURRENT <i>I</i> _{DD} | 5 10 15 | V _{IN} = V _{SS} or V _{DD} All valid input combinations | - | 5 | - | 0.05 | 5 | - | 150 | μA _{dc} |
| | | | - | 10 | - | 0.1 | 10 | - | 300 | |
| | | | - | 20 | - | 0.2 | 20 | - | 600 | |
| 3-STATE OUTPUT LEAKAGE CURRENT <i>I</i> _{ZL} | 15 | | - | ±0.1 | - | ±10 ⁻⁴ | ±0.1 | - | ±1.0 | μA _{dc} |

NOTES: ¹ Remaining Static Electrical Characteristics are listed under "4000B Series Family Specifications".

² T_{LOW} = -55°C for C

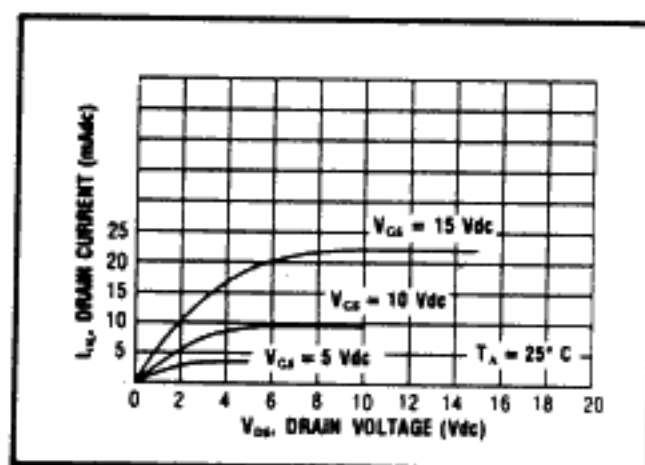
= -40°C for E

T_{HIGH} = +125°C for C

= +85°C for E

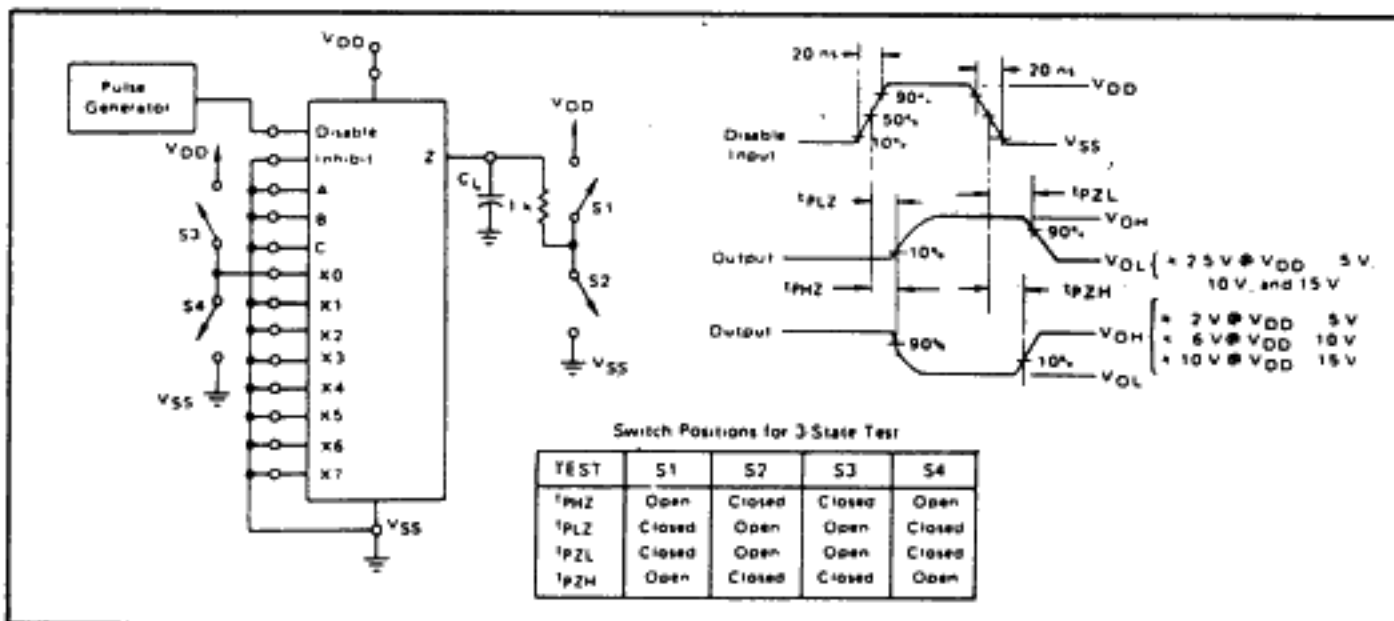
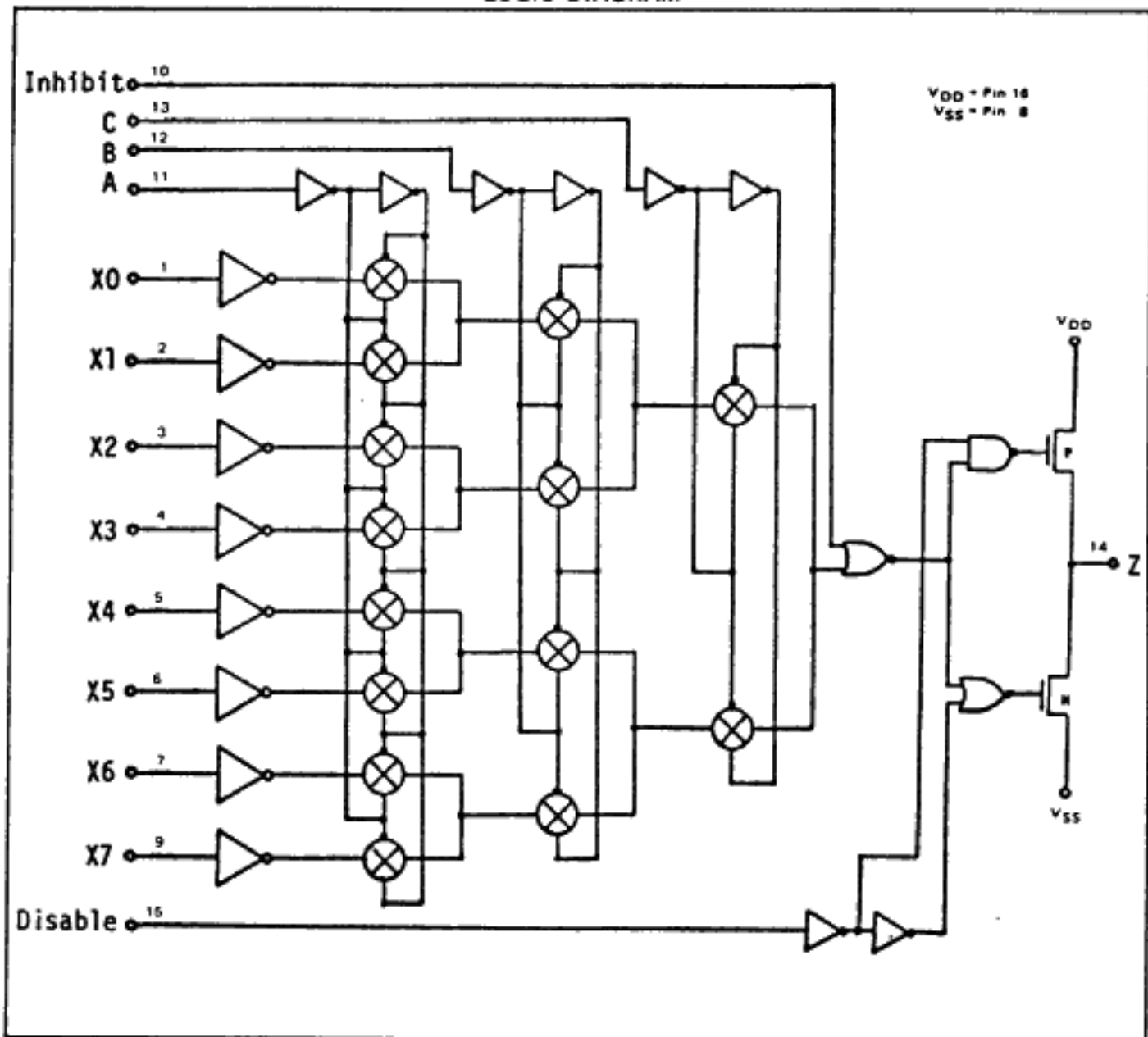
DYNAMIC CHARACTERISTICS (C_L = 50pF, T_A = 25°C)

| PARAMETER | V _{DD} (Vdc) | Min. | Typ. | Max. | Units | | | |
|------------------------|-------------------------------------|--|-------------------------------------|------|-------|-----|-----|----|
| PROPAGATION DELAY TIME | From Inhibit | t _{PLH} , t _{PHL} | 5 | - | 120 | 240 | ns | |
| | | | 10 | - | 55 | 110 | | |
| | | | 15 | - | 40 | 80 | | |
| | | From Select Input | t _{PLH} , t _{PHL} | 5 | - | 225 | 450 | ns |
| | | | | 10 | - | 100 | 200 | |
| | | | | 15 | - | 75 | 150 | |
| | From Data Input | t _{PLH} , t _{PHL} | 5 | - | 200 | 400 | ns | |
| | | | 10 | - | 80 | 160 | | |
| | | | 15 | - | 60 | 120 | | |
| | From Disable | t _{PHZ} , t _{PZH} t _{PLZ} , t _{PZL} | 5 | - | 60 | 120 | ns | |
| | | | 10 | - | 30 | 60 | | |
| | | | 15 | - | 25 | 50 | | |
| OUTPUT TRANSITION TIME | t _Y LH, t _N L | 5 | - | 100 | 200 | ns | | |
| | | 10 | - | 50 | 100 | | | |
| | | 15 | - | 40 | 80 | | | |



Typical N-Channel
Sink Current Characteristics

LOGIC DIAGRAM



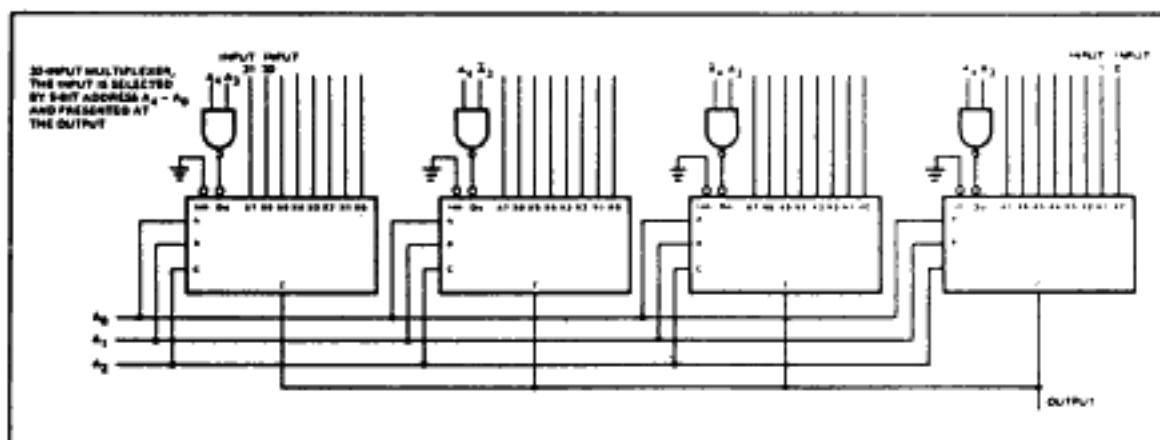
3-State AC Test Circuit and Waveform

APPLICATIONS INFORMATION

32-INPUT MULTIPLEXER

Output terminals of several 4512B devices can be connected to a single data bus. One 4512B is selected by the 3-state Disable control, and the remaining devices are disabled into

a high-impedance state. A 32-input multiplexer utilizing four 4512B data selectors and a single 4011B is shown.



LOGIC FUNCTION GENERATORS

In addition to the standard application of multiplexers in data conversion techniques, these circuits can also be used in generating logic functions, which in many cases can reduce system package count.

A multiplexer is a multiple-position single-pole switch. One set of inputs selects the position of the switch. The second set of inputs collects the input data, which is transferred through the circuit to one output. By using the binary select inputs and the data inputs, the 4512B can generate any of the 65,536 different functions of four variables.

Assume the four binary inputs are A, B, C, and D, and that Z is the desired function. Using the

select inputs as the first three variables, any combination of A, B, and C will select a data input (assuming the output is enabled). For each combination of A, B, and C, the required output, as a function of the fourth variable D, can be HIGH or LOW or the same as D or the inverse of D. Therefore, the truth table may be examined and each data input of the 4512B is connected to V_{DD} , V_{SS} , D, or \bar{D} as required. In such fashion, the function is generated.

In the example shown, the first two outputs are the inverse of D, so X0 is connected to \bar{D} . The next two are HIGH, so X1 is connected to V_{DD} , etc.

| INPUT VARIABLES | | | | REQUIRED FUNCTION |
|-----------------|---|---|---|-------------------|
| A | B | C | D | Z |
| L | L | L | L | H |
| L | L | L | H | L |
| L | L | H | L | H |
| L | L | H | H | H |
| L | H | L | L | L |
| L | H | L | H | H |
| L | H | H | L | L |
| L | H | H | H | L |
| H | L | L | L | L |
| H | L | L | H | L |
| H | L | H | L | L |
| H | L | H | H | L |
| H | H | L | L | L |
| H | H | L | H | L |
| H | H | H | L | L |
| H | H | H | H | L |

H = HIGH Level
L = LOW Level

