

## ADSL MAGNETICS

For Analog Devices

- Optimized for use with Analog Devices' AD20MSP910 transceiver IC
- Designed to support modem, router and switch applications
- S560-6600-30 designed to meet domestic and international safety requirements for supplementary insulation at 250V
- Minimum interwinding breakdown voltage of 1500 Vrms

### ELECTRICAL SPECIFICATIONS at 25° C

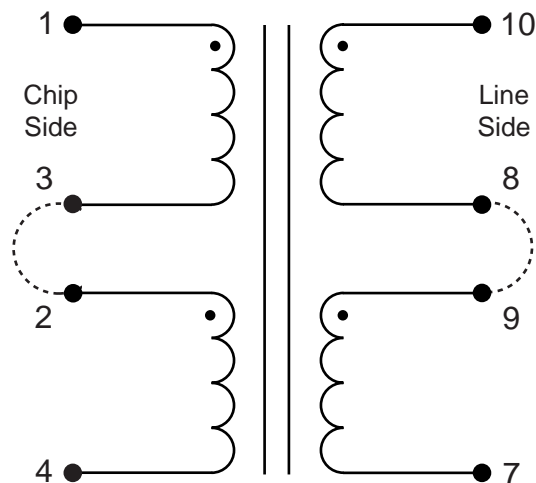
Part Number	Turns Ratio ± 3%	Inductance mH ±10%	Leakage Inductance μH max	DCR Ω max		Return Loss* dB min	Insertion Loss* dB max	Frequency Response* dB	Harmonic Distortion* dB typ
	Chip : Line	Line Side	Chip Side	Chip Side	Line Side	40KHz - 300KHz		30KHz - 1.1MHz	30KHz Vo=4Vrms
S560-6600-00	1CT : 1CT	5	15	3	3	16.5	100kHz 0.5	±0.5	80
S560-6600-30	1CT : 1CT	5	16	3	3	16.5	100kHz 0.5	±0.5	80
S560-6600-35	1CT : 1.25CT	3.1	6	3.0	4.0	16.5	300kHz 0.5	±0.5	80

All measurements are made with pins 2 and 3 connected and pins 8 and 9 connected.

\*Source resistance and load resistance equals 135 Ω.

### SCHEMATIC

S560-6600-00  
S560-6600-30  
S560-6600-35

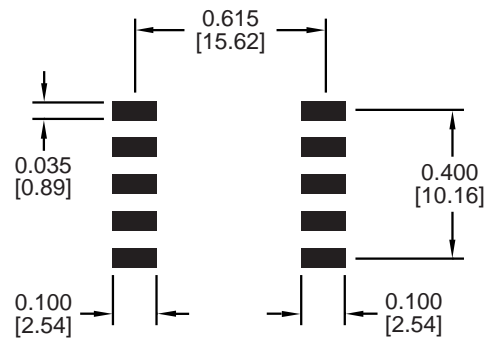
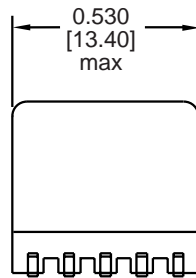
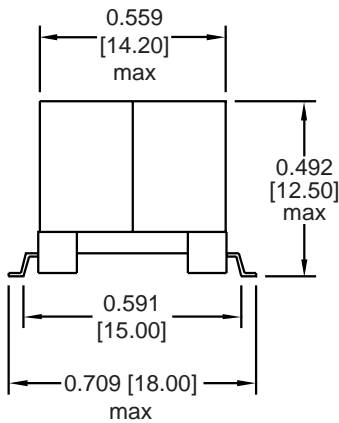


Pins 2 and 3 connected to form chip side CT

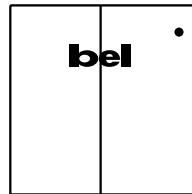
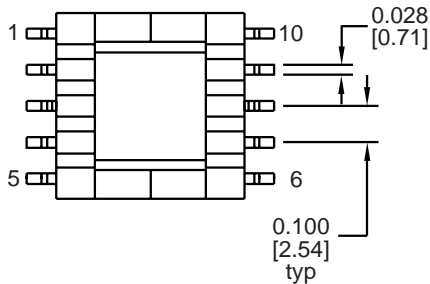
Pins 8 and 9 connected to form line side CT

### MECHANICAL

S560-6600-00  
S560-6600-30  
S560-6600-35



Suggested PCB Pad Layout



Notes:  
Coil form is UL 94 V0 rated  
Coplanarity is 0.005 [0.127]

Standard dimension tolerance is  $\pm 0.005$  [0.13] unless otherwise noted.

#### CORPORATE

**Bel Fuse Inc.**  
198 Van Vorst Street  
Jersey City, NJ 07302  
Tel 201-432-0463  
Fax 201-432-9542  
www.belfuse.com

T507

#### FAR EAST

**Bel Fuse Ltd.**  
8F / 8 Luk Hop Street  
San Po Kong  
Kowloon, Hong Kong  
Tel 852-2328-5515  
Fax 852-2352-3706  
www.belfuse.com

#### EUROPE

**Bel Fuse Europe Ltd.**  
Preston Technology Management Centre  
Marsh Lane, Suite F23, Preston  
Lancashire, PR1 8UD, U.K.  
Tel 44-1772-556601  
Fax 44-1772-888366  
www.belfuse.com