

# ISDN MAGNETICS

## UPO Interface Transformer

TM9942

- Minimum interwinding breakdown voltage of 1500 Vrms

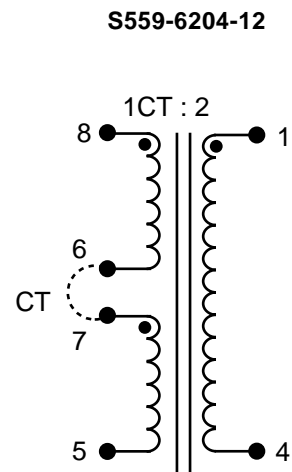
### ELECTRICAL SPECIFICATIONS at 25° C

Part Number	Turns Ratio ± 2%	Primary Inductance* mH min	Leakage Inductance μH max	DCR Ω max		Interwinding Capacitance pF max
				Pri	Sec	
S559-6204-12	1CT : 2	1.70	11	2.8	6.8	60

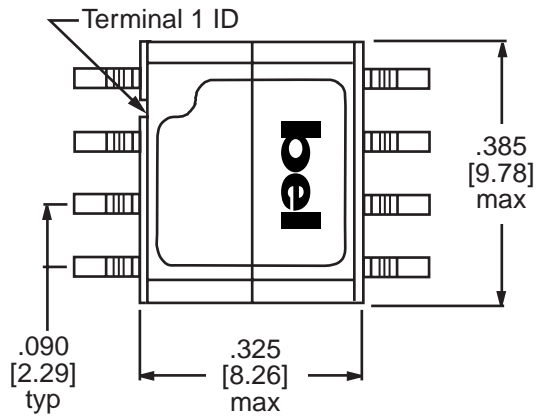
\* Measured at 10 kHz, 0.1 Vac

Compatible Transceiver ICs	
IC Mfr	IC Part Number
Siemens	PEB2096

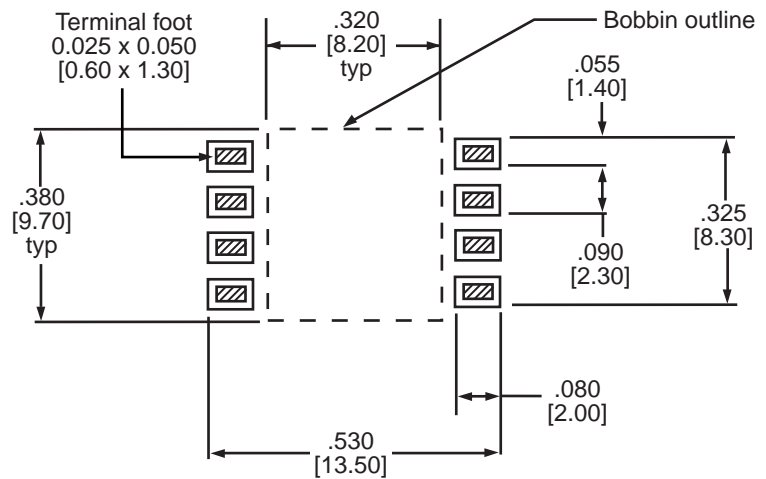
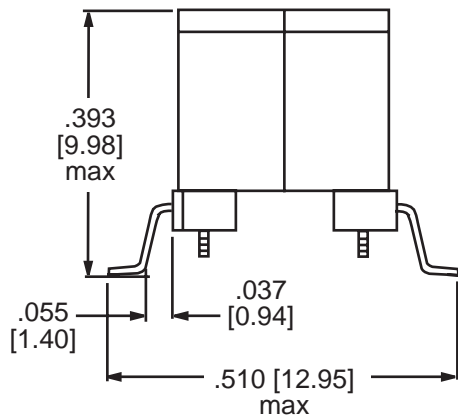
### SCHEMATIC



### MECHANICAL



S559-6204-12



Note: Unless otherwise specified, dimensions are nominal and in inches [millimeters].

Suggested PCB Pad Layout

#### CORPORATE

**Bel Fuse Inc.**  
198 Van Vorst Street  
Jersey City, NJ 07302  
Tel 201-432-0463  
Fax 201-432-9542  
www.belfuse.com

T337

#### FAR EAST

**Bel Fuse Ltd.**  
8F / 8 Luk Hop Street  
San Po Kong  
Kowloon, Hong Kong  
Tel 852-2328-5515  
Fax 852-2352-3706  
www.belfuse.com

#### EUROPE

**Bel Fuse Europe Ltd.**  
Preston Technology Management Centre  
Marsh Lane, Suite F23, Preston  
Lancashire, PR1 8UD, U.K.  
Tel 44-1772-556601  
Fax 44-1772-888366  
www.belfuse.com