

8-bit Proprietary Microcontrollers

CMOS

F²MC-8FX MB95130M Series

MB95136M/F133MS/F133NS/F133JS/F134MS/F134NS/F134JS/
MB95F136MS/F136NS/F136JS/F133MW/F133NW/F133JW/F134MW/
MB95F134NW/F134JW/F136MW/F136NW/F136JW/FV100D-103

■ DESCRIPTION

The MB95130M series is general-purpose, single-chip microcontrollers. In addition to a compact instruction set, the microcontrollers contain a variety of peripheral functions.

Note : F²MC is the abbreviation of FUJITSU Flexible Microcontroller.

■ FEATURES

- F²MC-8FX CPU core
 - Instruction set optimized for controllers
 - Multiplication and division instructions
 - 16-bit arithmetic operations
 - Bit test branch instruction
 - Bit manipulation instructions etc.
- Clock
 - Main clock
 - Main PLL clock
 - Sub clock (for dual clock product)
 - Sub PLL clock (for dual clock product)

(Continued)

Be sure to refer to the “Check Sheet” for the latest cautions on development.

“Check Sheet” is seen at the following support page

URL : <http://www.fujitsu.com/global/services/microelectronics/product/micom/support/index.html>

“Check Sheet” lists the minimal requirement items to be checked to prevent problems beforehand in system development.

MB95130M Series

(Continued)

- Timer
 - 8/16-bit compound timer
 - 8/16-bit PPG
 - 16-bit PPG
 - Timebase timer
 - Watch prescaler (for dual clock product)
- LIN-UART
 - Full duplex double buffer
 - Clock asynchronous (UART) or clock synchronous (SIO) serial data transfer capable
- UART/SIO
 - Full duplex double buffer
 - Clock asynchronous (UART) or clock synchronous (SIO) serial data transfer capable
- External interrupt
 - Interrupt by edge detection (rising, falling, or both edges can be selected)
 - Can be used to recover from low-power consumption (standby) modes.
- 8/10-bit A/D converter
 - 8-bit or 10-bit resolution can be selected.
- Low-power consumption (standby) mode
 - Stop mode
 - Sleep mode
 - Watch mode (for dual clock product)
 - Timebase timer mode
- I/O port
 - The number of maximum ports
 - Single clock product : 20 ports
 - Dual clock product : 18 ports
 - Configuration
 - General-purpose I/O ports (COMS) : Single clock product : 20 ports
Dual clock product : 18 ports
- Programmable input voltage levels of port
Automotive input level / CMOS input level / hysteresis input level
- Flash memory security function
Protects the content of Flash memory (Flash memory device only)

MB95130M Series

■ MEMORY LINEUP

	Flash memory	RAM
MB95F133MS/F133NS/F133JS	8 Kbytes	256 bytes
MB95F133MW/F133NW/F133JW		
MB95F134MS/F134NS/F134JS	16 Kbytes	512 bytes
MB95F134MW/F134NW/F134JW		
MB95F136MS/F136NS/F136JS	32 Kbytes	1 Kbyte
MB95F136MW/F136NW/F136JW		

MB95130M Series

■ PRODUCT LINEUP

Part number		MB95136M	MB95F133MS MB95F134MS MB95F136MS	MB95F133NS MB95F134NS MB95F136NS	MB95F133MW MB95F134MW MB95F136MW	MB95F133NW MB95F134NW MB95F136NW	MB95F133JS MB95F134JS MB95F136JS	MB95F133JW MB95F134JW MB95F136JW
Parameter								
Type	MASK ROM product	Flash memory product						
ROM capacity*1	32 Kbytes (Max)							
RAM capacity*1	1 Kbyte (Max)							
Reset output	Yes					No		
Option*2	Clock system	Selectable Single/Dual clock*3	Single clock		Dual clock		Single clock	Dual clock
	Low voltage detection reset	Yes/No	No	Yes	No	Yes	Yes	
	Clock supervisor	No					Yes	
CPU functions	Number of basic instructions : 136 Instruction bit length : 8 bits Instruction length : 1 to 3 bytes Data bit length : 1, 8, and 16 bits Minimum instruction execution time : 61.5 ns (at machine clock frequency 16.25 MHz) Interrupt processing time : 0.6 μs (at machine clock frequency 16.25 MHz)							
Peripheral functions	General-purpose I/O port	<ul style="list-style-type: none"> • Single clock product : 20 ports • Dual clock product : 18 ports Programmable input voltage levels of port : Automotive input level / CMOS input level / hysteresis input level						
	Timebase timer	Interrupt cycle : 0.5 ms, 2.1 ms, 8.2 ms, 32.8 ms (at main oscillation clock 4 MHz)						
	Watchdog timer	Reset generated cycle At main oscillation clock 10 MHz : Min 105 ms At sub oscillation clock 32.768 kHz (for dual clock product) : Min 250 ms						
	Wild register	Capable of replacing 3 bytes of ROM data						
	UART/SIO	Data transfer capable in UART/SIO Full duplex double buffer, Variable data length (5/6/7/8-bit), built-in baud rate generator NRZ type transfer format, error detected function LSB-first or MSB-first can be selected. Clock asynchronous (UART) or clock synchronous (SIO) serial data transfer capable						
LIN-UART	Dedicated reload timer allowing a wide range of communication speeds to be set. Full duplex double buffer. Clock asynchronous (UART) or clock synchronous (SIO) serial data transfer capable LIN functions available as the LIN master or LIN slave.							
8/10-bit A/D converter (8 channels)	8-bit or 10-bit resolution can be selected.							

(Continued)

MB95130M Series

(Continued)

Part number	MB95136M	MB95F133MS MB95F134MS MB95F136MS	MB95F133NS MB95F134NS MB95F136NS	MB95F133MW MB95F134MW MB95F136MW	MB95F133NW MB95F134NW MB95F136NW	MB95F133JS MB95F134JS MB95F136JS	MB95F133JW MB95F134JW MB95F136JW
Parameter							
Peripheral functions	8/16-bit compound timer	Each channel of the timer can be used as "8-bit timer x 2 channels" or "16-bit timer x 1 channel". Built-in timer function, PWC function, PWM function, capture function and square wave-form output Count clock: 7 internal clocks and external clock can be selected.					
	16-bit PPG	PWM mode or one-shot mode can be selected. Counter operating clock: Eight selectable clock sources Support for external trigger start					
	8/16-bit PPG	Each channel of the PPG can be used as "8-bit PPG x 2 channels" or "16-bit PPG x 1 channel". Counter operating clock: Eight selectable clock sources					
	Watch counter (for dual clock product)	Count clock : Four selectable clock sources (125 ms, 250 ms, 500 ms, or 1 s) Counter value can be set from 0 to 63. (Capable of counting for 1 minute when selecting clock source 1 second and setting counter value to 60)					
	Watch prescaler (for dual clock product)	Four selectable interval times (125 ms, 250 ms, 500 ms, or 1 s)					
	External interrupt (8 channels)	Interrupt by edge detection (rising, falling, or both edges can be selected.) Can be used to recover from standby modes.					
Flash memory	Supports automatic programming, Embedded Algorithm™*4 Write/Erase/Erase-Suspend/Resume commands A flag indicating completion of the algorithm Number of write/erase cycles (Minimum) : 10000 times Data retention time : 20 years Erase can be performed on each block Block protection with external programming voltage Flash Security Feature for protecting the content of the Flash (MB95F136MS/F136NS/F136JS/F136MW/F136NW/F136JW)						
Standby mode	Sleep, stop, watch (for dual clock product), and timebase timer						

*1 : For ROM capacity and RAM capacity, refer to "1. Memory space" in "■ CPU CORE".

*2 : For details of option, refer to "■ MASK OPTION".

*3 : Specify clock mode when ordering MASK ROM.

*4 : Embedded Algorithm is a trade mark of Advanced Micro Devices Inc.

Note : Part number of evaluation product in MB95130M series is MB95FV100D-103.

When using it, the MCU board (MB2146-303A) is required.

MB95130M Series

■ OSCILLATION STABILIZATION WAIT TIME

The initial value of the main clock oscillation stabilization wait time is fixed to the maximum value. The maximum value is shown below.

Oscillation stabilization wait time	Remarks
$(2^{14}-2) / F_{CH}$	Approx. 4.10 ms (at main oscillation clock 4 MHz)

■ PACKAGES AND CORRESPONDING PRODUCTS

Part number Package	MB95136M	MB95F133MS/F133NS MB95F134MS/F134NS MB95F136MS/F136NS MB95F133JS MB95F134JS MB95F136JS	MB95F133MW/F133NW MB95F134MW/F134NW MB95F136MW/F136NW MB95F133JW MB95F134JW MB95F136JW
FPT-28P-M17	○	○	○
BGA-224P-M08	×	×	×

- : Available
 × : Unavailable

■ DIFFERENCES AMONG PRODUCTS AND NOTES ON SELECTING PRODUCTS

- Notes on using evaluation products

The Evaluation product has not only the functions of the MB95130M series but also those of other products to support software development for multiple series and models of the F²MC-8FX. The I/O addresses for peripheral resources not used by the MB95130M series are therefore access-barred. Read/write access to those access-barred addresses may cause peripheral resources supposed to be unused to operate, resulting in unexpected malfunctions of hardware or software.

Particularly, do not use word access to an odd-numbered-byte address in the prohibited areas (If such access is used, the address may be read or written unexpectedly) .

Also, as the read values of prohibited addresses on the evaluation product are different to the values on the flash memory and mask ROM products, do not use these values in the program.

The Evaluation product does not support the functions of some bits in single-byte registers. Read/write access to these bits does not cause hardware malfunctions. The Evaluation, Flash memory, and MASK ROM products are designed to behave completely the same way in terms of hardware and software.

- Difference of memory spaces

If the amount of memory on the Evaluation product is different from that of the Flash memory or MASK ROM product, carefully check the difference in the amount of memory from the model to be actually used when developing software.

For details of memory space, refer to "■ CPU CORE".

- Current consumption

- The current consumption of Flash memory product is greater than for MASK ROM product.

- For details of current consumption, refer to "■ ELECTRICAL CHARACTERISTICS".

- Package

For details of information on each package, refer to "■ PACKAGES AND CORRESPONDING PRODUCTS" and "■ PACKAGE DIMENSION".

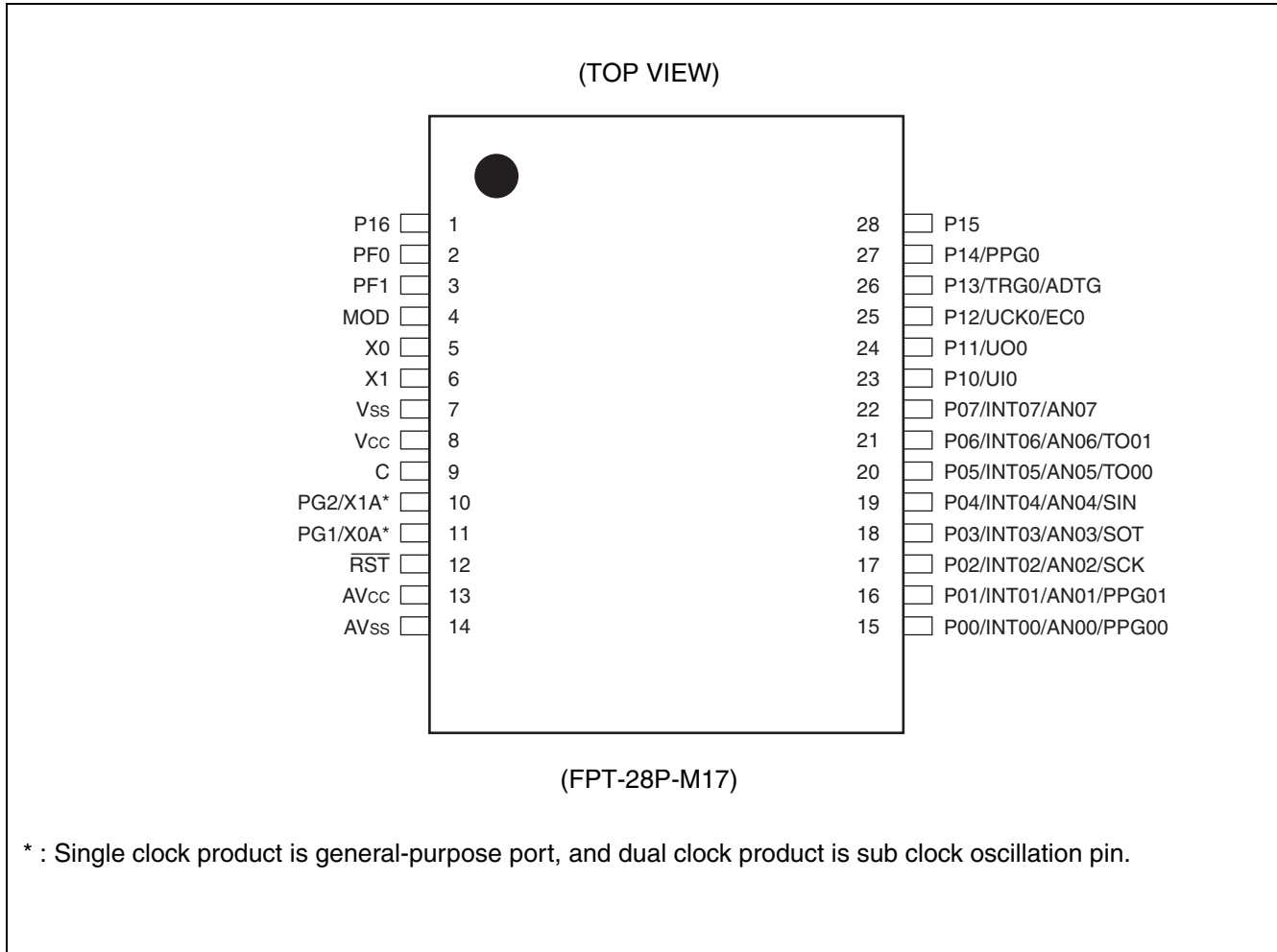
- Operating voltage

The operating voltage is different among the Evaluation, Flash memory, and MASK ROM products.

For details of the operating voltage, refer to "■ ELECTRICAL CHARACTERISTICS".

MB95130M Series

■ PIN ASSIGNMENT



■ PIN DESCRIPTION

Pin no.	Pin name	I/O circuit type*	Function
1	P16	H	General-purpose I/O port
2	PF0	K	General-purpose I/O port for large current
3	PF1		
4	MOD	B	Operating mode designation pin
5	X0	A	Main clock oscillation input pin
6	X1		Main clock oscillation input/output pin
7	V _{ss}	—	Power supply pin (GND)
8	V _{cc}	—	Power supply pin
9	C	—	Capacity connection pin
10	PG2/X1A	H/A	Single clock product is general-purpose port (PG2) . Dual clock product is sub clock input/output oscillation pin (32 kHz) .
11	PG1/X0A		Single clock product is general-purpose port (PG1) . Dual clock product is sub clock input oscillation pin (32 kHz) .
12	\overline{RST}	B'	Reset pin
13	AV _{cc}	—	A/D converter power supply pin
14	AV _{ss}	—	A/D converter power supply pin (GND)
15	P00/INT00/ AN00/PPG00	D	General-purpose I/O port Shared with external interrupt input (INT00), A/D converter analog input (AN00) and 8/16-bit PPG ch.0 output (PPG00).
16	P01/INT01/ AN01/PPG01		General-purpose I/O port Shared with external interrupt input (INT01), A/D converter analog input (AN01) and 8/16-bit PPG ch.0 output (PPG01).
17	P02/INT02/ AN02/SCK		General-purpose I/O port Shared with external interrupt input (INT02), A/D converter analog input (AN02) and LIN-UART clock I/O (SCK).
18	P03/INT03/ AN03/SOT		General-purpose I/O port Shared with external interrupt input (INT03), A/D converter analog input (AN03) and LIN-UART data output (SOT).
19	P04/INT04/ AN04/SIN	E	General-purpose I/O port Shared with external interrupt input (INT04), A/D converter analog input (AN04) and LIN-UART data input (SIN).
20	P05/INT05/ AN05/TO00	D	General-purpose I/O port Shared with external interrupt input (INT05 & INT06), A/D converter analog input (AN05 & AN06) and 8/16-bit compound timer ch.0 output (TO00 & TO01).
21	P06/INT06/ AN06/TO01		
22	P07/INT07/ AN07		

(Continued)

MB95130M Series

(Continued)

Pin no.	Pin name	I/O circuit type*	Function
23	P10/UIO	G	General-purpose I/O port Shared with UART/SIO ch.0 data input (UI0)
24	P11/UO0	H	General-purpose I/O port Shared with UART/SIO ch.0 data output (UO0)
25	P12/UCK0/ EC0		General-purpose I/O port Shared with UART/SIO ch.0 clock I/O (UCK0) and 8/16-bit compound timer ch.0 clock input (EC0)
26	P13/TRG0/ ADTG		General-purpose I/O port Shared with 16-bit PPG ch.0 trigger input (TRG0) and A/D converter trigger input (ADTG)
27	P14/PPG0		General-purpose I/O port Shared with 16-bit PPG ch.0 output (PPG0)
28	P15		General-purpose I/O port

* : For the I/O circuit type, refer to "■ I/O CIRCUIT TYPE".

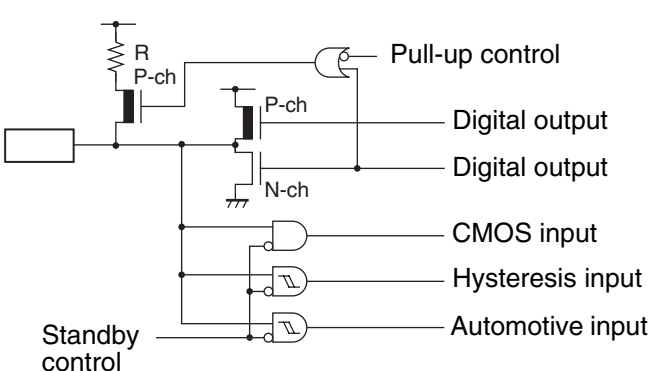
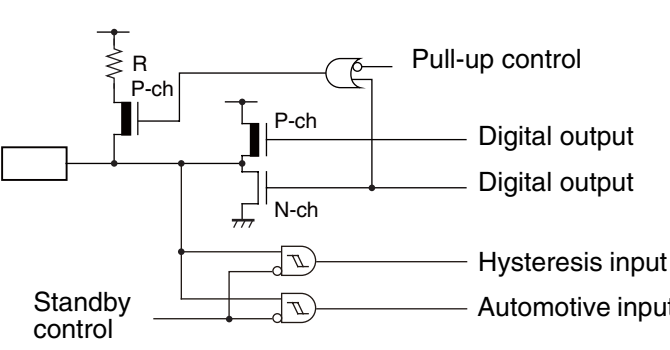
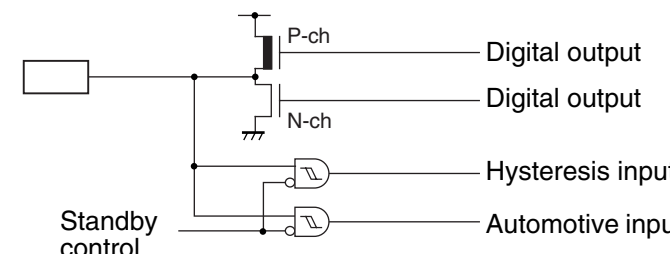
I/O CIRCUIT TYPE

Type	Circuit	Remarks
A		<ul style="list-style-type: none"> Oscillation circuit High-speed side Feedback resistance: approx. 1 MΩ Low-speed side Feedback resistance: approx. 10 MΩ
B		<ul style="list-style-type: none"> Only for input Hysteresis input only for MASK ROM product Pull-down resistor available only to MASK ROM product
B'		<ul style="list-style-type: none"> Hysteresis input only for MASK ROM product Reset output
D		<ul style="list-style-type: none"> CMOS output Hysteresis input Analog input Pull-up control available Automotive input
E		<ul style="list-style-type: none"> CMOS output CMOS input Hysteresis input Analog input Pull-up control available Automotive input

(Continued)

MB95130M Series

(Continued)

Type	Circuit	Remarks
G	 <p>The circuit diagram for Type G shows a pull-up resistor R connected to a P-channel MOSFET. The gate of this MOSFET is controlled by a 'Pull-up control' signal. The drain of this MOSFET is connected to the gates of two other MOSFETs: a P-channel MOSFET and an N-channel MOSFET. The drains of these two MOSFETs are connected to two 'Digital output' pins. The gates of these two MOSFETs are also connected to a 'Standby control' signal. Additionally, the gates of the two MOSFETs are connected to a 'CMOS input', a 'Hysteresis input', and an 'Automotive input control' signal.</p>	<ul style="list-style-type: none"> • CMOS output • CMOS input • Hysteresis input • Pull-up control available • Automotive input
H	 <p>The circuit diagram for Type H is similar to Type G, but it does not include the 'CMOS input' and 'Automotive input control' signals. It features a pull-up resistor R, a P-channel MOSFET controlled by 'Pull-up control', and two MOSFETs (P-ch and N-ch) whose drains are connected to two 'Digital output' pins. The gates of these two MOSFETs are connected to a 'Standby control' signal, a 'Hysteresis input', and an 'Automotive input' signal.</p>	<ul style="list-style-type: none"> • CMOS output • Hysteresis input • Pull-up control available • Automotive input
K	 <p>The circuit diagram for Type K is similar to Type H, but it does not include the 'Standby control' signal. It features a P-channel MOSFET controlled by 'Pull-up control', and two MOSFETs (P-ch and N-ch) whose drains are connected to two 'Digital output' pins. The gates of these two MOSFETs are connected to a 'Hysteresis input' and an 'Automotive input control' signal.</p>	<ul style="list-style-type: none"> • CMOS output • Hysteresis input • Automotive input

■ HANDLING DEVICES

- Preventing latch-up

Care must be taken to ensure that maximum voltage ratings are not exceeded when the devices are used.

Latch-up may occur on CMOS ICs if voltage higher than V_{CC} or lower than V_{SS} is applied to input and output pins other than medium- and high-withstand voltage pins or if voltage higher than the rating voltage is applied between V_{CC} pin and V_{SS} pin.

When latch-up occurs, power supply current increases rapidly and might thermally damage elements.

Also, take care to prevent the analog power supply voltage (AV_{CC} , AVR) and analog input voltage from exceeding the digital power supply voltage (V_{CC}) when the analog system power supply is turned on or off.

- Stable supply voltage

Supply voltage should be stabilized.

A sudden change in power supply voltage may cause a malfunction even within the guaranteed operating range of the V_{CC} power supply voltage.

For stabilization, in principle, keep the variation in V_{CC} ripple (p-p value) in a commercial frequency range (50 / 60 Hz) not to exceed 10% of the standard V_{CC} value and suppress the voltage variation so that the transient variation rate does not exceed 0.1 V/ms during a momentary change such as when the power supply is switched.

- Precautions for use of external clock

Even when an external clock is used, oscillation stabilization wait time is required for power-on reset, wake-up from the sub clock mode or stop mode.

■ PIN CONNECTION

- Treatment of unused pins

Leaving unused input pins unconnected can cause abnormal operation or latch-up, leading to permanent damage. Unused input pins should always be pulled up or down through resistance of at least 2 k Ω .

Any unused input/output pins may be set to the output mode and left open, or set to the input mode and treated the same as unused input pins. If there is any unused output pin, make it open.

- Treatment of power supply pins on A/D converter

Connect to be $AV_{CC} = V_{CC}$ and $AV_{SS} = V_{SS}$ even if the A/D converter is not in use.

Noise riding on the AV_{CC} pin may cause accuracy degradation. So, connect approx. 0.1 μ F ceramic capacitor as a bypass capacitor between AV_{CC} and AV_{SS} pins in the vicinity of this device.

- Power Supply Pins

In products with multiple V_{CC} or V_{SS} pins, the pins of the same potential are internally connected in the device to avoid abnormal operations including latch-up. However, all the pins must be connected to external power supply and a ground line to lower the electro-magnetic emission level, to prevent abnormal operation of strobe signals caused by the rise in the ground level, and to conform to the total output current rating. Moreover, connect the current supply source with the V_{CC} and V_{SS} pins of this device at the low impedance.

It is also advisable to connect a ceramic bypass capacitor of approximately 0.1 μ F between V_{CC} and V_{SS} pins near this device.

- Mode pin (MOD)

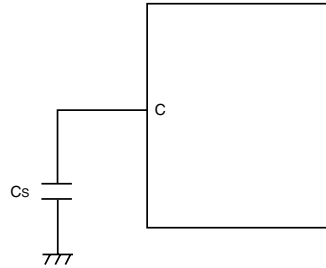
Connect the mode pin directly to V_{CC} or V_{SS} pins.

To prevent the device unintentionally entering the test mode due to noise, lay out the printed circuit board so as to minimize the distance from the mode pins to V_{CC} or V_{SS} pins and to provide a low-impedance connection.

MB95130M Series

Use a ceramic capacitor or a capacitor with equivalent frequency characteristics. A bypass capacitor of V_{CC} pin must have a capacitance value higher than C_s . For connection of smoothing capacitor C_s , refer to the diagram below.

- C Pin Connection Diagram



- Analog power supply

Always set the same potential to AV_{CC} and V_{CC} . When $V_{CC} > AV_{CC}$, the current may flow through the AN00 to AN07 pins.

■ PROGRAMMING FLASH MEMORY MICROCONTROLLERS USING PARALLEL PROGRAMMER

• Supported parallel programmers and adapters

The following table lists supported parallel programmers and adapters.

Package	Applicable adapter model	Parallel programmers
FPT-28P-M17	TEF110-95F136HSPF	AF9708(Ver 02.35G or greater) AF9709/B(Ver 02.35G or greater)

Note : For information about applicable adapter models and parallel programmers, contact the following:
Flash Support Group, Inc. TEL: +81-53-428-8380

• Sector configuration

The following table shows sector-specific addresses for data access by CPU and by the parallel programmer.

• MB95F136MS/F136NS/F136MW/F136NW/F136JS/F136JW (32 Kbytes)

Flash memory	CPU address	Programmer address*
32 Kbytes	8000 _H	18000 _H
	FFFF _H	1FFFF _H

*: Programmer addresses are corresponding to CPU addresses, used when the parallel programmer programs data into Flash memory.
These programmer addresses are used for the parallel programmer to program or erase data in Flash memory.

• Programming method

- 1) Set the type code of the parallel programmer to "17237".
- 2) Load program data to programmer addresses 78000_H to 7FFFF_H.
- 3) Write data with the parallel programmer.

• MB95F134MS/F134NS/F134JS/F134MW/F134NW/F134JW (16 Kbytes)

Flash memory	CPU address	Programmer address*
16 Kbytes	C000 _H	1C000 _H
	FFFF _H	1FFFF _H

*: Programmer addresses are corresponding to CPU addresses, used when the parallel programmer programs data into Flash memory.
These programmer addresses are used for the parallel programmer to program or erase data in Flash memory.

• Programming method

- 1) Set the type code of the parallel programmer to "17237".
- 2) Load program data to programmer addresses 7C000_H to 7FFFF_H.
- 3) Write data with the parallel programmer.

MB95130M Series

- MB95F133MS/F133NS/F133JS/F133MW/F133NW/F133JW (8 Kbytes)

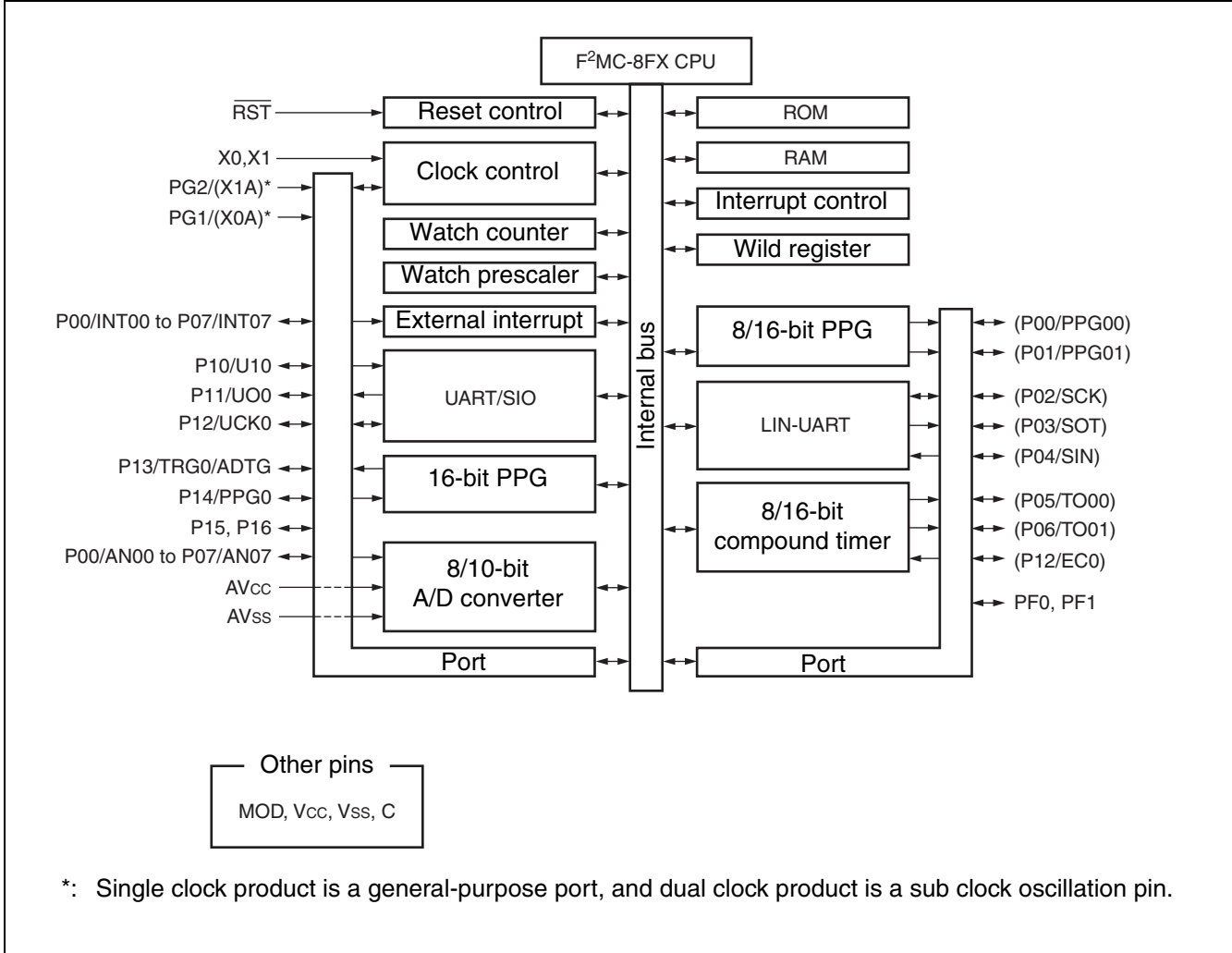
Flash memory	CPU address	Programmer address*
8 Kbytes	E000 _H	1E000 _H
	FFFF _H	1FFFF _H

*: Programmer addresses are corresponding to CPU addresses, used when the parallel programmer programs data into Flash memory.
These programmer addresses are used for the parallel programmer to program or erase data in Flash memory.

- **Programming method**

- 1) Set the type code of the parallel programmer to "17237".
- 2) Load program data to programmer addresses 7E000_H to 7FFFF_H.
- 3) Write data with the parallel programmer.

■ BLOCK DIAGRAM

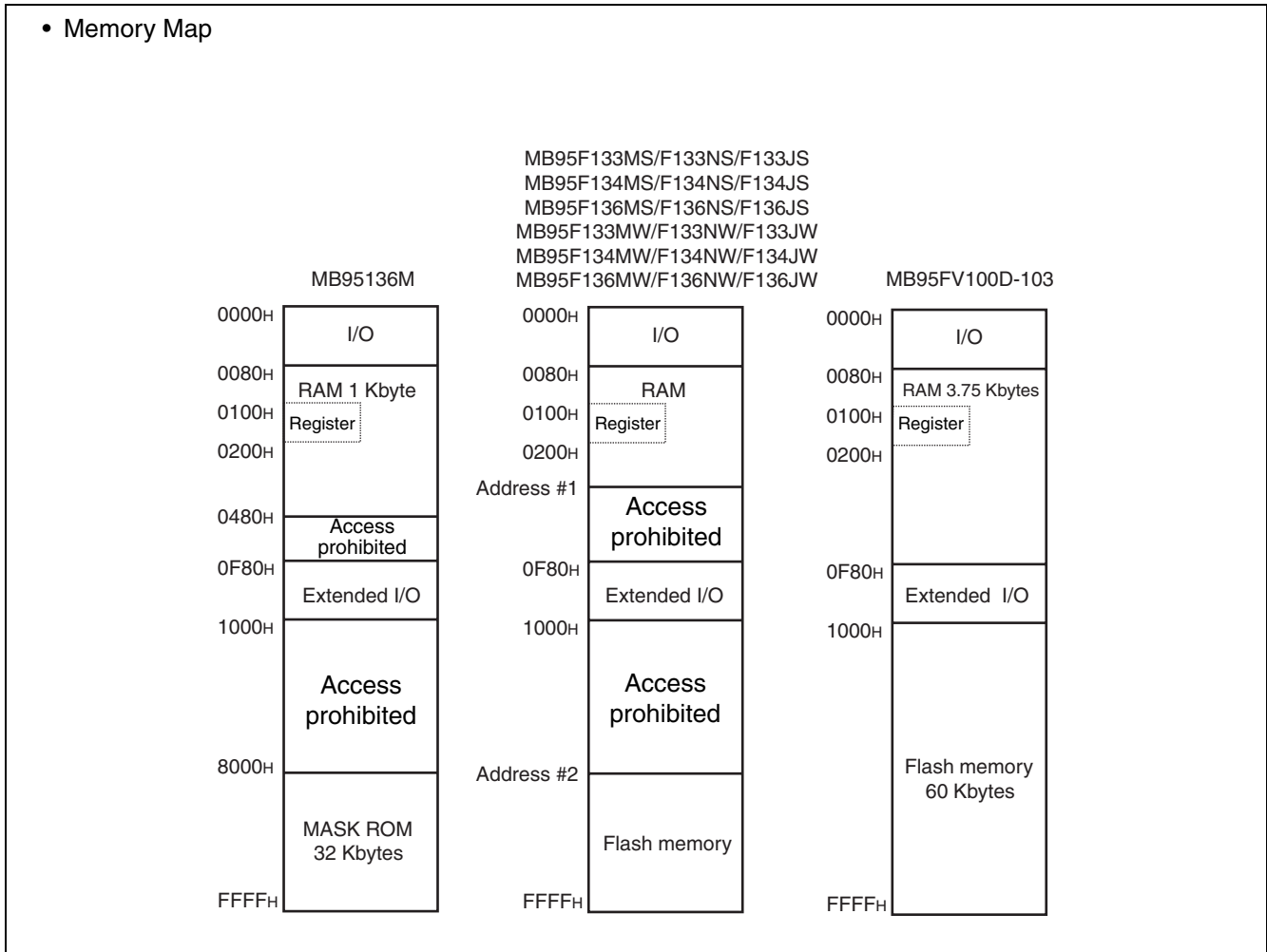


MB95130M Series

■ CPU CORE

1. Memory Space

Memory space of the MB95130M series is 64 Kbytes and consists of I/O area, data area, and program area. The memory space includes special-purpose areas such as the general-purpose registers and vector table. Memory map of the MB95130M series is shown below.



	Flash memory	RAM	Address #1	Address #2
MB95F133MS/F133NS/F133JS	8 Kbytes	256 bytes	0180H	E000H
MB95F133MW/F133NW/F133JW				
MB95F134MS/F134NS/F134JS	16 Kbytes	512 bytes	0280H	C000H
MB95F134MW/F134NW/F134JW				
MB95F136MS/F136NS/F136JS	32 Kbytes	1 Kbyte	0480H	8000H
MB95F136MW/F136NW/F136JW				

2. Register

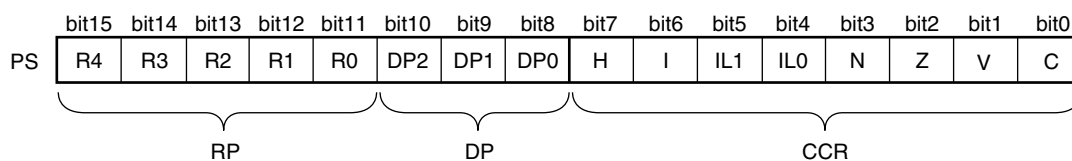
The MB95130M series has two types of registers; dedicated registers in the CPU and general-purpose registers in the memory. The dedicated registers are as include:

- Program counter (PC) : A 16-bit register to indicate locations where instructions are stored.
- Accumulator (A) : A 16-bit register for temporary storage of arithmetic operations. In the case of an 8-bit data processing instruction, the lower 1-byte is used.
- Temporary accumulator (T) : A 16-bit register which performs arithmetic operations with the accumulator. In the case of an 8-bit data processing instruction, the lower 1-byte is used.
- Index register (IX) : A 16-bit register for index modification
- Extra pointer (EP) : A 16-bit pointer to point to a memory address.
- Stack pointer (SP) : A 16-bit register to indicate a stack area.
- Program status (PS) : A 16-bit register for storing a register bank pointer, a direct bank pointer, and a condition code register

16 bits		Initial Value
PC	: Program counter	FFFD _H
A	: Accumulator	0000 _H
T	: Temporary accumulator	0000 _H
IX	: Index register	0000 _H
EP	: Extra pointer	0000 _H
SP	: Stack pointer	0000 _H
PS	: Program status	0030 _H

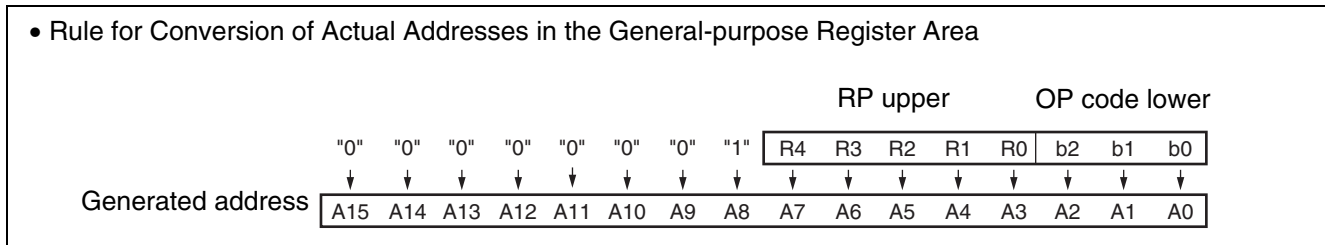
The PS can further be divided into higher 8 bits for use as a register bank pointer (RP) and a direct bank pointer (DP) and the lower 8 bits for use as a condition code register (CCR). (Refer to the diagram below.)

• Structure of the program status



MB95130M Series

The RP indicates the address of the register bank currently being used. The relationship between the content of RP and the real address conforms to the conversion rule illustrated below:



The DP specifies the area for mapping instructions (16 different types of instructions such as MOV A and dir) using direct addresses to 0080H to 00FFH.

Direct bank pointer (DP2 to DP0)	Specified address area	Mapping area
XXX _B (no effect to mapping)	0000 _H to 007F _H	0000 _H to 007F _H (without mapping)
000 _B (initial value)	0080 _H to 00FF _H	0080 _H to 00FF _H (without mapping)
001 _B		0100 _H to 017F _H
010 _B		0180 _H to 01FF _H
011 _B		0200 _H to 027F _H
100 _B		0280 _H to 02FF _H
101 _B		0300 _H to 037F _H
110 _B		0380 _H to 03FF _H
111 _B		0400 _H to 047F _H

The CCR consists of the bits indicating arithmetic operation results or transfer data content and the bits that control CPU operations at interrupt.

- H flag : Set to "1" when a carry or a borrow from bit 3 to bit 4 occurs as a result of an arithmetic operation. Cleared to "0" otherwise. This flag is for decimal adjustment instructions.
- I flag : Interrupt is enabled when this flag is set to "1". Interrupt is disabled when this flag is set to "0". The flag is cleared to "0" when reset.
- IL1, IL0 : Indicates the level of the interrupt currently enabled. Processes an interrupt only if its request level is higher than the value indicated by these bits.

IL1	IL0	Interrupt level	Priority
0	0	0	High ↑ ↓ Low = no interruption
0	1	1	
1	0	2	
1	1	3	

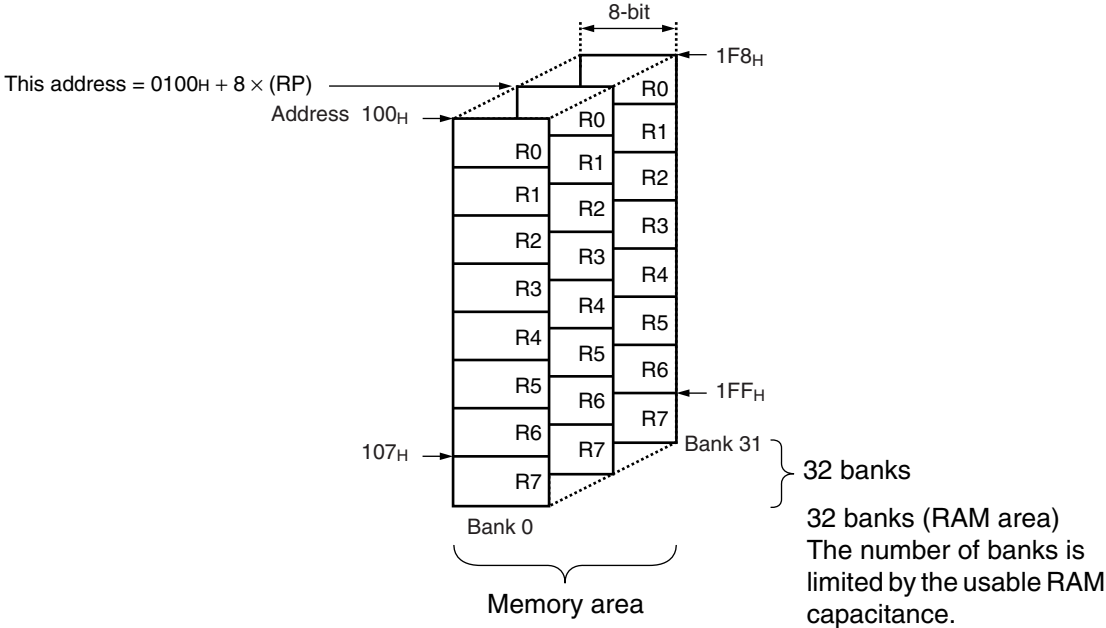
- N flag : Set to "1" if the MSB is set to "1" as the result of an arithmetic operation. Cleared to "0" when the bit is set to "0".
- Z flag : Set to "1" when an arithmetic operation results in "0". Cleared to "0" otherwise.
- V flag : Set to "1" if the complement on 2 overflows as a result of an arithmetic operation. Cleared to "0" otherwise.
- C flag : Set to "1" when a carry or a borrow from bit 7 occurs as a result of an arithmetic operation. Cleared to "0" otherwise. Set to the shift-out value in the case of a shift instruction.

The following general-purpose registers are provided:

General-purpose registers: 8-bit data storage registers

The general-purpose registers are 8 bits and located in the register banks on the memory. 1-bank contains 8-registers. Up to a total of 32 banks can be used on the MB95130M series. The bank currently in use is specified by the register bank pointer (RP), and the lower 3 bits of OP code indicates the general-purpose register 0 (R0) to general-purpose register 7 (R7).

• Register Bank Configuration



MB95130M Series

■ I/O MAP

Address	Register abbreviation	Register name	R/W	Initial value
0000 _H	PDR0	Port 0 data register	R/W	00000000 _B
0001 _H	DDR0	Port 0 direction register	R/W	00000000 _B
0002 _H	PDR1	Port 1 data register	R/W	00000000 _B
0003 _H	DDR1	Port 1 direction register	R/W	00000000 _B
0004 _H	—	(Disabled)	—	—
0005 _H	WATR	Oscillation stabilization wait time setting register	R/W	11111111 _B
0006 _H	PLLC	PLL control register	R/W	00000000 _B
0007 _H	SYCC	System clock control register	R/W	1010X011 _B
0008 _H	STBC	Standby control register	R/W	00000000 _B
0009 _H	RSRR	Reset source register	R	XXXXXXXX _B
000A _H	TBTC	Timebase timer control register	R/W	00000000 _B
000B _H	WPCR	Watch prescaler control register	R/W	00000000 _B
000C _H	WDTC	Watchdog timer control register	R/W	00000000 _B
000D _H to 0027 _H	—	(Disabled)	—	—
0028 _H	PDRF	Port F data register	R/W	00000000 _B
0029 _H	DDRF	Port F direction register	R/W	00000000 _B
002A _H	PDRG	Port G data register	R/W	00000000 _B
002B _H	DDRG	Port G direction register	R/W	00000000 _B
002C _H	PUL0	Port 0 pull-up register	R/W	00000000 _B
002D _H	PUL1	Port 1 pull-up register	R/W	00000000 _B
002E _H to 0034 _H	—	(Disabled)	—	—
0035 _H	PULG	Port G pull-up register	R/W	00000000 _B
0036 _H	T01CR1	8/16-bit compound timer 01 control status register 1 ch.0	R/W	00000000 _B
0037 _H	T00CR1	8/16-bit compound timer 00 control status register 1 ch.0	R/W	00000000 _B
0038 _H , 0039 _H	—	(Disabled)	—	—
003A _H	PC01	8/16-bit PPG1 control register ch.0	R/W	00000000 _B
003B _H	PC00	8/16-bit PPG0 control register ch.0	R/W	00000000 _B
003C _H to 0041 _H	—	(Disabled)	—	—
0042 _H	PCNTH0	16-bit PPG control status register (Upper byte) ch.0	R/W	00000000 _B
0043 _H	PCNTL0	16-bit PPG control status register (Lower byte) ch.0	R/W	00000000 _B

(Continued)

MB95130M Series

Address	Register abbreviation	Register name	R/W	Initial value
0044 _H to 0047 _H	—	(Disabled)	—	—
0048 _H	EIC00	External interrupt circuit control register ch.0/ch.1	R/W	00000000 _B
0049 _H	EIC10	External interrupt circuit control register ch.2/ch.3	R/W	00000000 _B
004A _H	EIC20	External interrupt circuit control register ch.4/ch.5	R/W	00000000 _B
004B _H	EIC30	External interrupt circuit control register ch.6/ch.7	R/W	00000000 _B
004C _H to 004F _H	—	(Disabled)	—	—
0050 _H	SCR	LIN-UART serial control register	R/W	00000000 _B
0051 _H	SMR	LIN-UART serial mode register	R/W	00000000 _B
0052 _H	SSR	LIN-UART serial status register	R/W	00001000 _B
0053 _H	RDR/TDR	LIN-UART reception/transmission data register	R/W	00000000 _B
0054 _H	ESCR	LIN-UART extended status control register	R/W	00000100 _B
0055 _H	ECCR	LIN-UART extended communication control register	R/W	000000XX _B
0056 _H	SMC10	UART/SIO serial mode control register 1 ch.0	R/W	00000000 _B
0057 _H	SMC20	UART/SIO serial mode control register 2 ch.0	R/W	00100000 _B
0058 _H	SSR0	UART/SIO serial status register ch.0	R/W	00000001 _B
0059 _H	TDR0	UART/SIO serial output data register ch.0	R/W	00000000 _B
005A _H	RDR0	UART/SIO serial input data register ch.0	R	00000000 _B
005B _H to 006B _H	—	(Disabled)	—	—
006C _H	ADC1	8/10-bit A/D converter control register 1	R/W	00000000 _B
006D _H	ADC2	8/10-bit A/D converter control register 2	R/W	00000000 _B
006E _H	ADDH	8/10-bit A/D converter data register (Upper byte)	R/W	00000000 _B
006F _H	ADDL	8/10-bit A/D converter data register (Lower byte)	R/W	00000000 _B
0070 _H	WCSR	Watch counter status register	R/W	00000000 _B
0071 _H	—	(Disabled)	—	—
0072 _H	FSR	Flash memory status register	R/W	000X0000 _B
0073 _H	SWRE0	Flash memory sector writing control register 0	R/W	00000000 _B
0074 _H	SWRE1	Flash memory sector writing control register 1	R/W	00000000 _B
0075 _H	—	(Disabled)	—	—
0076 _H	WREN	Wild register address compare enable register	R/W	00000000 _B
0077 _H	WROR	Wild register data test setting register	R/W	00000000 _B

(Continued)

MB95130M Series

Address	Register abbreviation	Register name	R/W	Initial value
0078 _H	—	(Register bank pointer (RP) Mirror of direct bank pointer (DP))	—	—
0079 _H	ILR0	Interrupt level setting register 0	R/W	11111111 _B
007A _H	ILR1	Interrupt level setting register 1	R/W	11111111 _B
007B _H	ILR2	Interrupt level setting register 2	R/W	11111111 _B
007C _H	ILR3	Interrupt level setting register 3	R/W	11111111 _B
007D _H	ILR4	Interrupt level setting register 4	R/W	11111111 _B
007E _H	ILR5	Interrupt level setting register 5	R/W	11111111 _B
007F _H	—	(Disabled)	—	—
0F80 _H	WRARH0	Wild register address setting register (Upper byte) ch.0	R/W	00000000 _B
0F81 _H	WRARL0	Wild register address setting register (Lower byte) ch.0	R/W	00000000 _B
0F82 _H	WRDR0	Wild register data setting register ch.0	R/W	00000000 _B
0F83 _H	WRARH1	Wild register address setting register (Upper byte) ch.1	R/W	00000000 _B
0F84 _H	WRARL1	Wild register address setting register (Lower byte) ch.1	R/W	00000000 _B
0F85 _H	WRDR1	Wild register data setting register ch.1	R/W	00000000 _B
0F86 _H	WRARH2	Wild register address setting register (Upper byte) ch.2	R/W	00000000 _B
0F87 _H	WRARL2	Wild register address setting register (Lower byte) ch.2	R/W	00000000 _B
0F88 _H	WRDR2	Wild register data setting register ch.2	R/W	00000000 _B
0F89 _H to 0F91 _H	—	(Disabled)	—	—
0F92 _H	T01CR0	8/16-bit compound timer 01 control status register 0 ch.0	R/W	00000000 _B
0F93 _H	T00CR0	8/16-bit compound timer 00 control status register 0 ch.0	R/W	00000000 _B
0F94 _H	T01DR	8/16-bit compound timer 01 data register ch.0	R/W	00000000 _B
0F95 _H	T00DR	8/16-bit compound timer 00 data register ch.0	R/W	00000000 _B
0F96 _H	TMCR0	8/16-bit compound timer 00/01 timer mode control register ch.0	R/W	00000000 _B
0F97 _H to 0F9B _H	—	(Disabled)	—	—
0F9C _H	PPS01	8/16-bit PPG1 cycle setting buffer register ch.0	R/W	11111111 _B
0F9D _H	PPS00	8/16-bit PPG0 cycle setting buffer register ch.0	R/W	11111111 _B
0F9E _H	PDS01	8/16-bit PPG1 duty setting buffer register ch.0	R/W	11111111 _B
0F9F _H	PDS00	8/16-bit PPG0 duty setting buffer register ch.0	R/W	11111111 _B
0FA0 _H to 0FA3 _H	—	(Disabled)	—	—

(Continued)

MB95130M Series

(Continued)

Address	Register abbreviation	Register name	R/W	Initial value
0FA4 _H	PPGS	8/16-bit PPG start register	R/W	00000000 _B
0FA5 _H	REVC	8/16-bit PPG output inversion register	R/W	00000000 _B
0FA6 _H to 0FA9 _H	—	(Disabled)	—	—
0FAA _H	PDCRH0	16-bit PPG down counter register (Upper byte) ch.0	R	00000000 _B
0FAB _H	PDCRL0	16-bit PPG down counter register (Lower byte) ch.0	R	00000000 _B
0FAC _H	PCSRH0	16-bit PPG cycle setting buffer register (Upper byte) ch.0	R/W	11111111 _B
0FAD _H	PCSRL0	16-bit PPG cycle setting buffer register (Lower byte) ch.0	R/W	11111111 _B
0FAE _H	PDUTH0	16-bit PPG duty setting buffer register (Upper byte) ch.0	R/W	11111111 _B
0FAF _H	PDUTL0	16-bit PPG duty setting buffer register (Lower byte) ch.0	R/W	11111111 _B
0FB0 _H to 0FBB _H	—	(Disabled)	—	—
0FBC _H	BGR1	LIN-UART baud rate generator register 1	R/W	00000000 _B
0FBD _H	BGR0	LIN-UART baud rate generator register 0	R/W	00000000 _B
0FBE _H	PSSR0	UART/SIO dedicated baud rate generator prescaler selection register ch.0	R/W	00000000 _B
0FBF _H	BRSR0	UART/SIO dedicated baud rate generator baud rate setting register ch.0	R/W	00000000 _B
0FC0 _H to 0FC2 _H	—	(Disabled)	—	—
0FC3 _H	AIDRL	A/D input disable register (Lower byte)	R/W	00000000 _B
0FC4 _H to 0FE2 _H	—	(Disabled)	—	—
0FE3 _H	WCDR	Watch counter data register	R/W	00111111 _B
0FE4 _H to 0FE6 _H	—	(Disabled)	—	—
0FE7 _H	ILSR2	Input level select register 2 (option)	R/W	00000000 _B
0FE8 _H , 0FE9 _H	—	(Disabled)	—	—
0FEA _H	CSVCR	Clock supervisor control register	R/W	00111100 _B
0FEB _H to 0FED _H	—	(Disabled)	—	—
0FEE _H	ILSR	Input level select register	R/W	00000000 _B
0FEF _H	WICR	Interrupt pin control register	R/W	01000000 _B
0FF0 _H to 0FFF _H	—	(Disabled)	—	—

MB95130M Series

- R/W access symbols
 - R/W : Readable / Writable
 - R : Read only
 - W : Write only
- Initial value symbols
 - 0 : The initial value of this bit is "0".
 - 1 : The initial value of this bit is "1".
 - X : The initial value of this bit is undefined.

Note : Do not write to the " (Disabled) ". Reading the " (Disabled) " returns an undefined value.

■ INTERRUPT SOURCE TABLE

Interrupt source	Interrupt request number	Vector table address		Bit name of interrupt level setting register	Same level priority order (at simultaneous occurrence)
		Upper	Lower		
External interrupt ch.0	IRQ0	FFFA _H	FFFB _H	L00 [1 : 0]	<div style="text-align: center;">High</div> <div style="text-align: center;">↑</div> <div style="text-align: center;">↓</div> <div style="text-align: center;">Low</div>
External interrupt ch.4					
External interrupt ch.1	IRQ1	FFF8 _H	FFF9 _H	L01 [1 : 0]	
External interrupt ch.5					
External interrupt ch.2	IRQ2	FFF6 _H	FFF7 _H	L02 [1 : 0]	
External interrupt ch.6					
External interrupt ch.3	IRQ3	FFF4 _H	FFF5 _H	L03 [1 : 0]	
External interrupt ch.7					
UART/SIO ch.0	IRQ4	FFF2 _H	FFF3 _H	L04 [1 : 0]	
8/16-bit compound timer ch.0 (Lower)	IRQ5	FFF0 _H	FFF1 _H	L05 [1 : 0]	
8/16-bit compound timer ch.0 (Higher)	IRQ6	FFEE _H	FFEF _H	L06 [1 : 0]	
LIN-UART (reception)	IRQ7	FFEC _H	FFED _H	L07 [1 : 0]	
LIN-UART (transmission)	IRQ8	FFEA _H	FFEB _H	L08 [1 : 0]	
(Unused)	IRQ9	FFE8 _H	FFE9 _H	L09 [1 : 0]	
(Unused)	IRQ10	FFE6 _H	FFE7 _H	L10 [1 : 0]	
(Unused)	IRQ11	FFE4 _H	FFE5 _H	L11 [1 : 0]	
8/16-bit PPG ch.0 (Upper)	IRQ12	FFE2 _H	FFE3 _H	L12 [1 : 0]	
8/16-bit PPG ch.0 (Lower)	IRQ13	FFE0 _H	FFE1 _H	L13 [1 : 0]	
(Unused)	IRQ14	FFDE _H	FFDF _H	L14 [1 : 0]	
16-bit PPG ch.0	IRQ15	FFDC _H	FFDD _H	L15 [1 : 0]	
(Unused)	IRQ16	FFDA _H	FFDB _H	L16 [1 : 0]	
(Unused)	IRQ17	FFD8 _H	FFD9 _H	L17 [1 : 0]	
8/10-bit A/D converter	IRQ18	FFD6 _H	FFD7 _H	L18 [1 : 0]	
Timebase timer	IRQ19	FFD4 _H	FFD5 _H	L19 [1 : 0]	
Watch prescaler/Watch counter	IRQ20	FFD2 _H	FFD3 _H	L20 [1 : 0]	
(Unused)	IRQ21	FFD0 _H	FFD1 _H	L21 [1 : 0]	
(Unused)	IRQ22	FFCE _H	FFCF _H	L22 [1 : 0]	
Flash memory	IRQ23	FFCC _H	FFCD _H	L23 [1 : 0]	

MB95130M Series

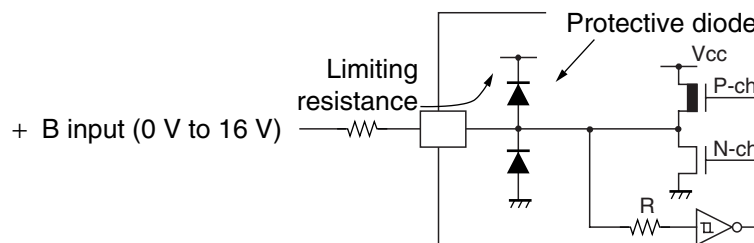
■ ELECTRICAL CHARACTERISTICS

1. Absolute Maximum ratings

Parameter	Symbol	Rating		Unit	Remarks
		Min	Max		
Power supply voltage*1	V_{CC} AV_{CC}	$V_{SS} - 0.3$	$V_{SS} + 6.0$	V	*2
Input voltage*1	V_I	$V_{SS} - 0.3$	$V_{SS} + 6.0$	V	*3
Output voltage*1	V_O	$V_{SS} - 0.3$	$V_{SS} + 6.0$	V	*3
Maximum clamp current	I_{CLAMP}	- 2.0	+ 2.0	mA	Applicable to pins*4
Total maximum clamp current	ΣI_{CLAMP}	—	20	mA	Applicable to pins*4
“L” level maximum output current	I_{OL1}	—	15	mA	Other than PF0, PF1
	I_{OL2}		15		PF0, PF1
“L” level average current	I_{OLAV1}	—	4	mA	Other than PF0, PF1 Average output current = operating current × operating ratio (1 pin)
	I_{OLAV2}		12		PF0, PF1 Average output current = operating current × operating ratio (1 pin)
“L” level total maximum output current	ΣI_{OL}	—	100	mA	
“L” level total average output current	ΣI_{OLAV}	—	50	mA	Total average output current = operating current × operating ratio (Total of pins)
“H” level maximum output current	I_{OH1}	—	- 15	mA	Other than PF0, PF1
	I_{OH2}		- 15		PF0, PF1
“H” level average current	I_{OHAV1}	—	- 4	mA	Other than PF0, PF1 Average output current = operating current × operating ratio (1 pin)
	I_{OHAV2}		- 8		PF0, PF1 Average output current = operating current × operating ratio (1 pin)
“H” level total maximum output current	ΣI_{OH}	—	- 100	mA	
“H” level total average output current	ΣI_{OHAV}	—	- 50	mA	Total average output current = operating current × operating ratio (Total number of pins)
Power consumption	P_d	—	320	mW	
Operating temperature	T_A	- 40	+ 85	°C	
Storage temperature	T_{stg}	- 55	+ 150	°C	

- *1: The parameter is based on $AV_{SS} = V_{SS} = 0.0\text{ V}$.
- *2: Apply equal potential to AV_{CC} and V_{CC} . AVR should not exceed $AV_{CC} + 0.3\text{ V}$.
- *3: V_I and V_O should not exceed $V_{CC} + 0.3\text{ V}$. V_I must not exceed the rating voltage. However, if the maximum current to/from an input is limited by some means with external components, the I_{CLAMP} rating supersedes the V_I rating.
- *4: Applicable pins: P10 to P15, PF0, PF1 (Inapplicable pins: PG1, PG2)
 - Use within recommended operating conditions.
 - Use at DC voltage (current).
 - +B signal is an input signal that exceeds V_{CC} voltage. The + B signal should always be applied a limiting resistance placed between the + B signal and the microcontroller.
 - The value of the limiting resistance should be set so that when the + B signal is applied the input current to the microcontroller pin does not exceed rated values, either instantaneously or for prolonged periods.
 - Note that when the microcontroller drive current is low, such as in the power saving modes, the +B input potential may pass through the protective diode and increase the potential at the V_{CC} pin, and this affects other devices.
 - Note that if the + B signal is inputted when the microcontroller power supply is off (not fixed at 0 V), the power supply is provided from the pins, so that incomplete operation may result.
 - Note that if the + B input is applied during power-on, the power supply is provided from the pins and the resulting power supply voltage may not be sufficient to operate the power-on reset.
 - Care must be taken not to leave the + B input pin open.
 - Note that analog system input/output pins other than the A/D input pins (LCD drive pins, etc.) cannot accept +B signal input.
 - Sample recommended circuits :

- Input/Output Equivalent circuits



WARNING: Semiconductor devices can be permanently damaged by application of stress (voltage, current, temperature, etc.) in excess of absolute maximum ratings. Do not exceed these ratings.

MB95130M Series

2. Recommended Operating Conditions

($AV_{SS} = V_{SS} = 0.0\text{ V}$)

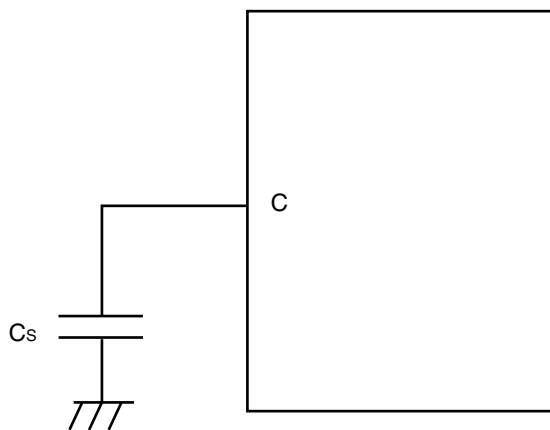
Parameter	Symbol	Pin name	Condition	Value		Unit	Remarks
				Min	Max		
Power supply voltage	V_{CC}, AV_{CC}	—	—	2.42*2	5.5*1	V	At normal operation
				2.3	5.5		Holds condition in stop mode
Smoothing capacitor	C_s	—	—	0.1	1.0	μF	*3
Operating temperature	T_A	—	—	- 40	+ 85	$^{\circ}\text{C}$	

*1: The value varies depending on the operating frequency.

*2: The value is 2.88 V when the low-voltage detection reset is used.

*3: Use ceramic capacitor or a capacitor with equivalent frequency characteristics. A bypass capacitor of V_{CC} pin must have a capacitance value higher than C_s . For connection of smoothing capacitor C_s , refer to the diagram below.

• C pin connection diagram



WARNING: The recommended operating conditions are required in order to ensure the normal operation of the semiconductor device. All of the device's electrical characteristics are warranted when the device is operated within these ranges.

Always use semiconductor devices within their recommended operating condition ranges. Operation outside these ranges may adversely affect reliability and could result in device failure.

No warranty is made with respect to uses, operating conditions, or combinations not represented on the data sheet. Users considering application outside the listed conditions are advised to contact their FUJITSU representatives beforehand.

MB95130M Series

3. DC Characteristics

($V_{CC} = AV_{CC} = 5.0\text{ V} \pm 10\%$, $AV_{SS} = V_{SS} = 0.0\text{ V}$, $T_A = -40\text{ }^\circ\text{C}$ to $+85\text{ }^\circ\text{C}$)

Parameter	Symbol	Pin name	Condition	Value			Unit	Remarks
				Min	Typ	Max		
"H" level input voltage	V_{IHI}	P04 (selectable in SIN), P10 (selectable in UI0)	—	$0.7 V_{CC}$	—	$V_{CC} + 0.3$	V	Hysteresis input
	V_{IHSI}	P00 to P07, P10 to P16, PF0, PF1, PG1, PG2	—	$0.8 V_{CC}$	—	$V_{CC} + 0.3$	V	Hysteresis input
	V_{IHA}	P00 to P07, P10 to P16, PF0, PF1, PG1, PG2	—	$0.8 V_{CC}$	—	$V_{CC} + 0.3$	V	Pin input at selecting of Automotive input level
	V_{IHM}	\overline{RST} , MOD	—	$0.7 V_{CC}$	—	$V_{CC} + 0.3$	V	CMOS input (Flash memory product)
—			$0.8 V_{CC}$	—	$V_{CC} + 0.3$	V	Hysteresis input (MASK ROM product)	
"L" level input voltage	V_{IL}	P04 (selectable in SIN), P10 (selectable in UI0)	—	$V_{SS} - 0.3$	—	$0.3 V_{CC}$	V	Hysteresis input
	V_{ILS}	P00 to P07, P10 to P16, PF0, PF1, PG1, PG2	—	$V_{SS} - 0.3$	—	$0.2 V_{CC}$	V	Hysteresis input
	V_{ILA}	P00 to P07, P10 to P16, PF0, PF1, PG1, PG2	—	$V_{SS} - 0.3$	—	$0.5 V_{CC}$	V	Pin input at selecting of Automotive input level
	V_{ILM}	\overline{RST} , MOD	—	$V_{SS} - 0.3$	—	$0.3 V_{CC}$	V	CMOS input (Flash memory product)
—			$V_{SS} - 0.3$	—	$0.2 V_{CC}$	V	Hysteresis input (MASK ROM product)	
"H" level output voltage	V_{OH1}	Output pin other than PF0, PF1	$I_{OH} = -4.0\text{ mA}$	$V_{CC} - 0.5$	—	—	V	
	V_{OH2}	PF0, PF1	$I_{OH} = -8.0\text{ mA}$	$V_{CC} - 0.5$	—	—	V	
"L" level output voltage	V_{OL1}	Output pin other than PF0 to PF7, \overline{RST}^{*1}	$I_{OL} = 4.0\text{ mA}$	—	—	0.4	V	
	V_{OL2}	PF0, PF1	$I_{OL} = 12\text{ mA}$	—	—	0.4	V	

(Continued)

MB95130M Series

($V_{CC} = AV_{CC} = 5.0\text{ V} \pm 10\%$, $AV_{SS} = V_{SS} = 0.0\text{ V}$, $T_A = -40\text{ }^\circ\text{C}$ to $+85\text{ }^\circ\text{C}$)

Parameter	Symbol	Pin name	Condition	Value			Unit	Remarks
				Min	Typ	Max		
Input leakage current (Hi-Z output leakage current)	I_{LI}	P00 to P07, P10 to P16, PF0, PF1, PG1, PG2	$0.0\text{ V} < V_I < V_{CC}$	-5	—	+5	μA	When the pull-up prohibition setting
Pull-up resistor	R_{PULL}	P00 to P07, P10 to P16, PG1, PG2	$V_I = 0.0\text{ V}$	25	50	100	$\text{k}\Omega$	When the pull-up permission setting
Pull-down resistor	R_{MOD}	MOD	$V_I = V_{CC}$	50	100	200	$\text{k}\Omega$	MASK ROM product only
Input capacity	C_{IN}	Other than AV_{CC} , AV_{SS} , C, V_{CC} and V_{SS}	$f = 1\text{ MHz}$	—	5	15	pF	
Power supply current*2	I_{CC}	V_{CC} (External clock operation)	$V_{CC} = 5.5\text{ V}$ $F_{CH} = 20\text{ MHz}$ $F_{MP} = 10\text{ MHz}$ Main clock mode (divided by 2)	—	9.5	12.5	mA	Flash memory product (at other than Flash memory writing and erasing)
				—	30	35	mA	Flash memory product (at Flash memory writing and erasing)
				—	7.2	9.5	mA	MASK ROM product
			$F_{CH} = 32\text{ MHz}$ $F_{MP} = 16\text{ MHz}$ Main clock mode (divided by 2)	—	15.2	20.0	mA	Flash memory product (at other than Flash memory writing and erasing)
				—	35.7	42.5	mA	Flash memory product (at Flash memory writing and erasing)
				—	11.6	15.2	mA	MASK ROM product

(Continued)

MB95130M Series

($V_{CC} = AV_{CC} = 5.0\text{ V} \pm 10\%$, $AV_{SS} = V_{SS} = 0.0\text{ V}$, $T_A = -40\text{ }^\circ\text{C}$ to $+85\text{ }^\circ\text{C}$)

Parameter	Symbol	Pin name	Condition	Value			Unit	Remarks
				Min	Typ	Max		
Power supply current*2	I _{CCS}	V _{CC} (External clock operation)	V _{CC} = 5.5 V F _{CH} = 20 MHz F _{MP} = 10 MHz Main Sleep mode (divided by 2)	—	4.5	7.5	mA	
			F _{CH} = 32 MHz F _{MP} = 16 MHz Main Sleep mode (divided by 2)	—	7.2	12.0	mA	
	I _{CCCL}		V _{CC} = 5.5 V F _{CL} = 32 kHz F _{MPL} = 16 kHz Sub clock mode (divided by 2), T _A = +25 °C	—	45	100	μA	Dual clock product only
	I _{CCLS}		V _{CC} = 5.5 V F _{CL} = 32 kHz F _{MPL} = 16 kHz Sub sleep mode (divided by 2), T _A = +25 °C	—	10	81	μA	Dual clock product only
	I _{CCCT}		V _{CC} = 5.5 V F _{CL} = 32 kHz Watch mode Main stop mode T _A = +25 °C	—	4.6	27	μA	Dual clock product only
	I _{CCMPLL}		V _{CC} = 5.5 V F _{CH} = 4 MHz F _{MP} = 10 MHz Main PLL mode (multiplied by 2.5)	—	9.3	12.5	mA	Flash memory product
			F _{CH} = 6.4 MHz F _{MP} = 16 MHz Main PLL mode (multiplied by 2.5)	—	7	9.5	mA	MASK ROM product
			F _{CH} = 6.4 MHz F _{MP} = 16 MHz Main PLL mode (multiplied by 2.5)	—	14.9	20.0	mA	Flash memory product
			F _{CH} = 6.4 MHz F _{MP} = 16 MHz Main PLL mode (multiplied by 2.5)	—	11.2	15.2	mA	MASK ROM product
	I _{CCSPLL}		V _{CC} = 5.5 V F _{CL} = 32 kHz F _{MPL} = 128 kHz Sub PLL mode (multiplied by 4), T _A = +25 °C	—	160	400	μA	Dual clock product only

(Continued)

MB95130M Series

(Continued)

($V_{CC} = AV_{CC} = 5.0 \text{ V} \pm 10\%$, $AV_{SS} = V_{SS} = 0.0 \text{ V}$, $T_A = -40 \text{ }^\circ\text{C}$ to $+85 \text{ }^\circ\text{C}$)

Parameter	Symbol	Pin name	Condition	Value			Unit	Remarks
				Min	Typ	Max		
Power supply current*2	I _{CTS}	V _{CC} (External clock operation)	V _{CC} = 5.5 V F _{CH} = 10 MHz Timebase timer mode T _A = +25 °C	—	0.15	1.1	mA	
	I _{CCH}		V _{CC} = 5.5 V Sub stop mode T _A = +25 °C	—	3.5	20.0	μA	Main stop mode for single clock product
	I _A	AV _{CC}	V _{CC} = 5.5 V F _{CH} = 16 MHz When A/D conversion is in operation	—	2.4	4.7	mA	
	I _{AH}		V _{CC} = 5.5 V F _{CH} = 16 MHz When A/D conversion is stopped T _A = +25 °C	—	1	5	μA	

*1: Product without clock supervisor only

- *2:
- The power supply current is specified by the external clock. When the low-voltage detection and clock supervisor options are selected, the consumption current values of both the low-voltage detection circuit (I_{LVD}) and the built-in CR oscillator (I_{CSV}) must also be added to the power supply current value.
 - Refer to "4. AC Characteristics: (1) Clock Timing" for F_{CH} and F_{CL}.
 - Refer to "4. AC Characteristics: (2) Source Clock/Machine Clock" for F_{MP} and F_{MPL}.

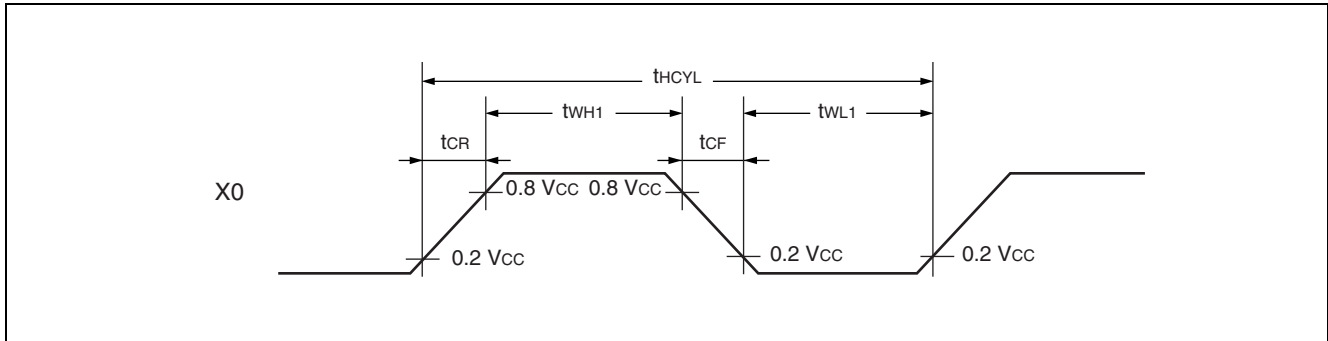
4. AC Characteristics

(1) Clock Timing

($V_{CC} = 2.42\text{ V to } 5.0\text{ V}$, $AV_{SS} = V_{SS} = 0.0\text{ V}$, $T_A = -40\text{ }^\circ\text{C to } +85\text{ }^\circ\text{C}$)

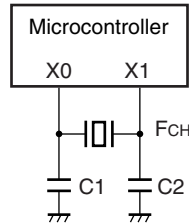
Parameter	Sym- bol	Pin name	Condi- tion	Value			Unit	Remarks	
				Min	Typ	Max			
Clock frequency	F _{CH}	X0, X1	—	1.00	—	16.25	MHz	When using main oscillation circuit	
				1.00	—	32.50	MHz	When using external clock	
				3.00	—	10.00	MHz	Main PLL multiplied by 1	
				3.00	—	8.13	MHz	Main PLL multiplied by 2	
				3.00	—	6.50	MHz	Main PLL multiplied by 2.5	
	F _{CL}	X0A, X1A		—	32.768	—	kHz	When using sub oscillation circuit	
			—	32.768	—	kHz	When using sub PLL $V_{CC} = 2.3\text{ V to } 3.6\text{ V}$		
Clock cycle time	t _{H CYL}	X0, X1	—	61.5	—	1000	ns	When using main oscillation circuit	
				30.8	—	1000	ns	When using external clock	
	t _{L CYL}	X0A, X1A		—	30.5	—	μs	When using sub oscillation circuit	
Input clock pulse width	t _{WH1} t _{WL1}	X0		—	61.5	—	—	ns	When using external clock duty ratio is about 30% to 70%.
	t _{WH2} t _{WL2}	X0A			—	15.2	—	μs	
Input clock rise/fall time	t _{CR} t _{CF}	X0, X0A			—	—	5	ns	When using external clock

MB95130M Series

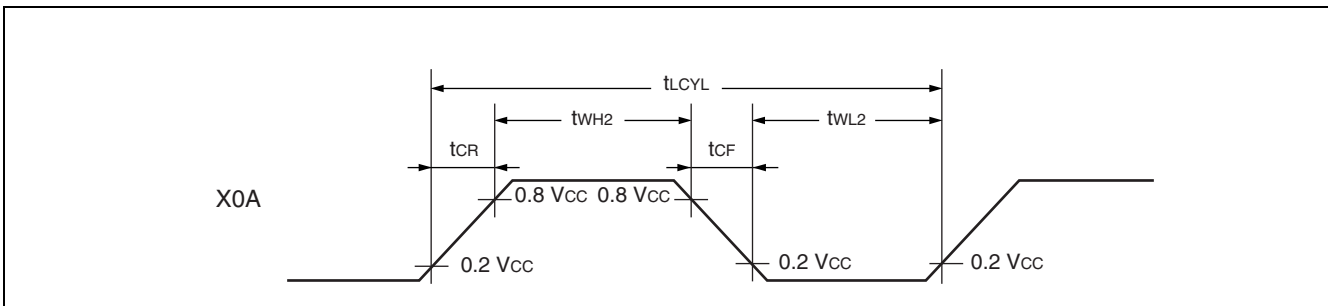
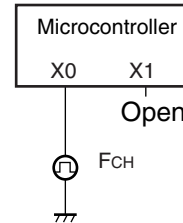


• Figure of Main Clock Input Port External Connection

When using crystal or ceramic oscillator

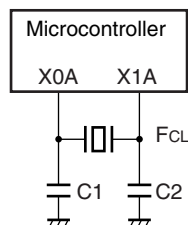


When using external clock

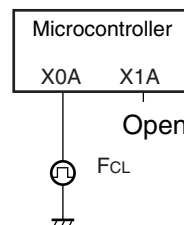


• Figure of Sub clock Input Port External Connection

When using crystal or ceramic oscillator



When using external clock



(2) Source Clock/Machine Clock

($V_{CC} = 5.0\text{ V} \pm 10\%$, $AV_{SS} = V_{SS} = 0.0\text{ V}$, $T_A = -40\text{ }^\circ\text{C}$ to $+85\text{ }^\circ\text{C}$)

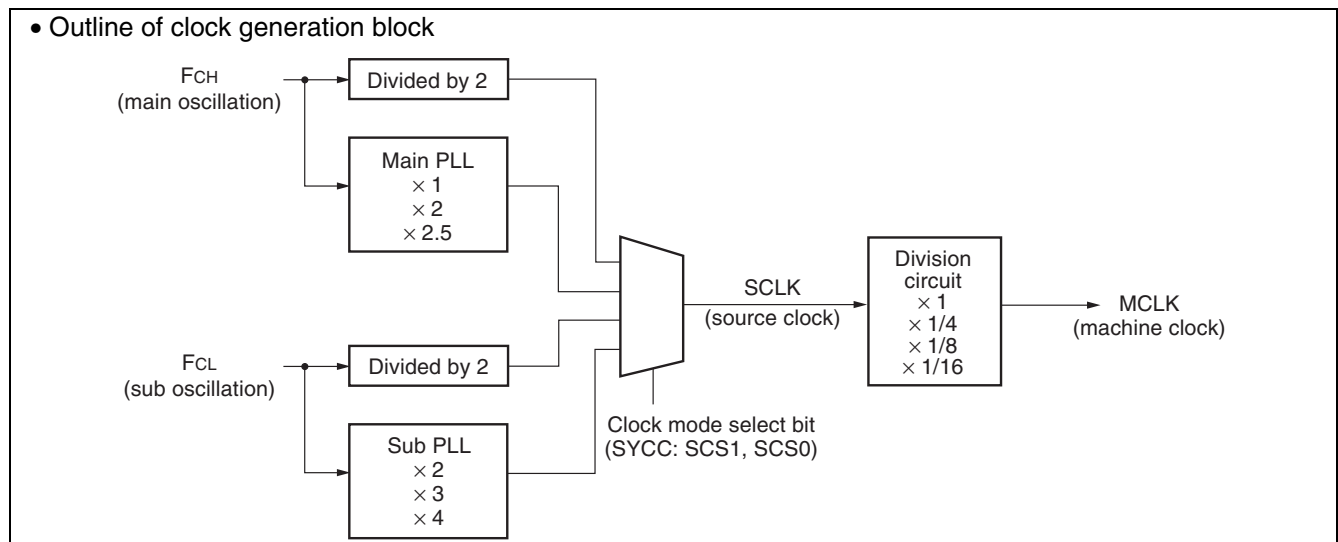
Parameter	Symbol	Pin name	Value			Unit	Remarks
			Min	Typ	Max		
Source clock cycle time* ¹ (Clock before setting division)	t_{SCLK}	—	61.5	—	2000	ns	When using main clock Min : $F_{CH} = 16.25\text{ MHz}$, PLL multiplied by 1 Max : $F_{CH} = 1\text{ MHz}$, divided by 2
			7.6	—	61.0	μs	When using sub clock Min : $F_{CL} = 32\text{ kHz}$, PLL multiplied by 4 Max : $F_{CL} = 32\text{ kHz}$, divided by 2
Source clock frequency	F_{SP}	—	0.50	—	16.25	MHz	When using main clock
	F_{SPL}	—	16.384	—	131.072	kHz	When using sub clock
Machine clock cycle time* ² (Minimum instruction execution time)	t_{MCLK}	—	61.5	—	32000	ns	When using main clock Min : $F_{SP} = 16.25\text{ MHz}$, no division Max : $F_{SP} = 0.5\text{ MHz}$, divided by 16
			7.6	—	976.5	μs	When using sub clock Min : $F_{SPL} = 131\text{ kHz}$, no division Max : $F_{SPL} = 16\text{ kHz}$, divided by 16
Machine clock frequency	F_{MP}	—	0.031	—	16.250	MHz	When using main clock
	F_{MPL}	—	1.024	—	131.072	kHz	When using sub clock

*1 : Clock before setting division due to machine clock division ratio selection bit (SYCC : DIV1 and DIV0) . This source clock is divided by the machine clock division ratio selection bit (SYCC : DIV1 and DIV0) , and it becomes the machine clock. Further, the source clock can be selected as follows.

- Main clock divided by 2
- PLL multiplication of main clock (select from 1, 2, 2.5 multiplication)
- Sub clock divided by 2
- PLL multiplication of sub clock (select from 2, 3, 4 multiplication)

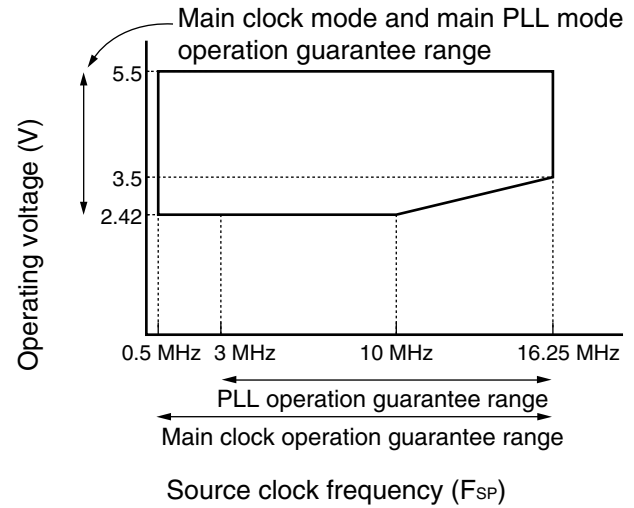
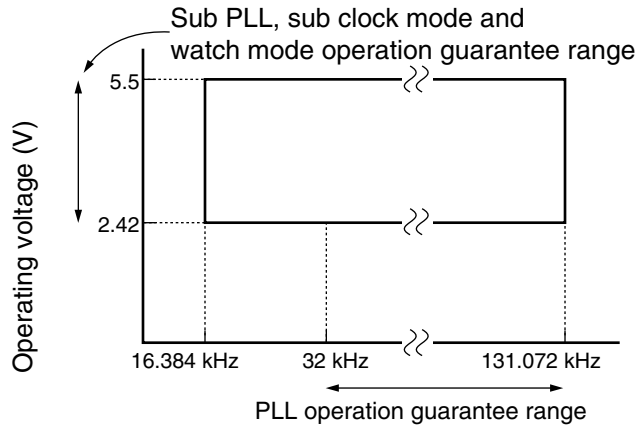
*2 : Operation clock of the microcontroller. Machine clock can be selected as follows.

- Source clock (no division)
- Source clock divided by 4
- Source clock divided by 8
- Source clock divided by 16

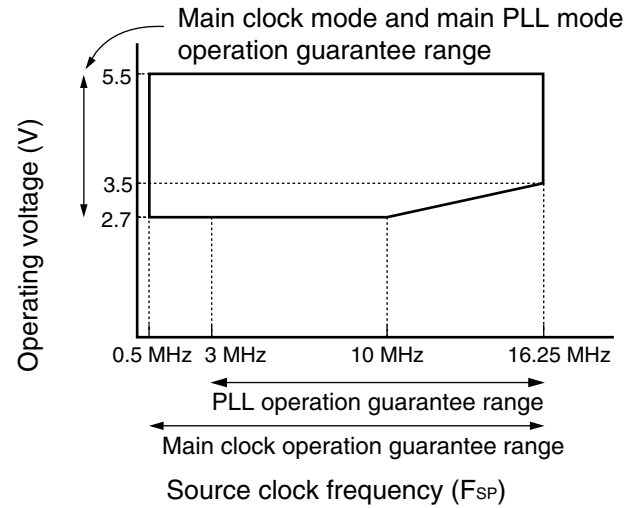
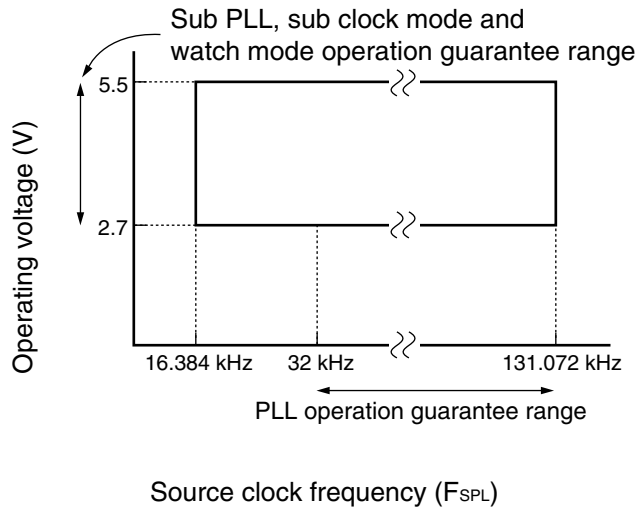


MB95130M Series

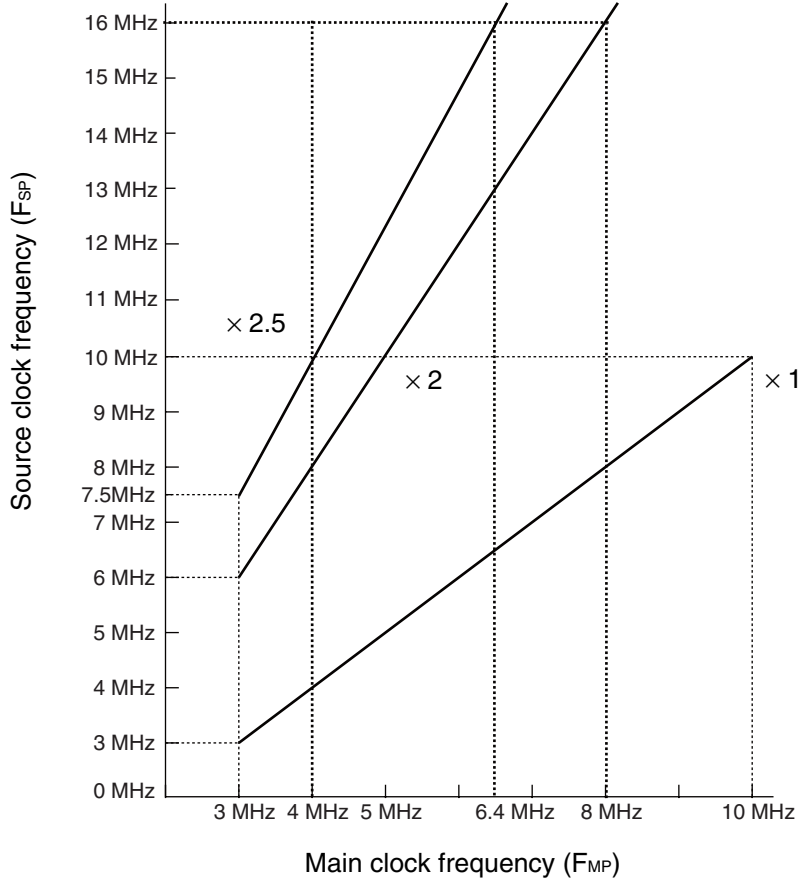
- Operating voltage - Operating frequency (When $T_A = -40\text{ }^\circ\text{C}$ to $+85\text{ }^\circ\text{C}$)
 - MB95F133MS/F133NS/F133JS/F134MS/F134NS/F134JS/F136MS/F136NS/F136JS/F133MW/F133NW/MB95F133JW/F134MW/F134NW/F134JW/F136MW/F136NW/F136JW



- Operating voltage - Operating frequency (When $T_A = +5\text{ }^\circ\text{C}$ to $+35\text{ }^\circ\text{C}$)
 - MB95FV100D-103



- Main PLL operation frequency



MB95130M Series

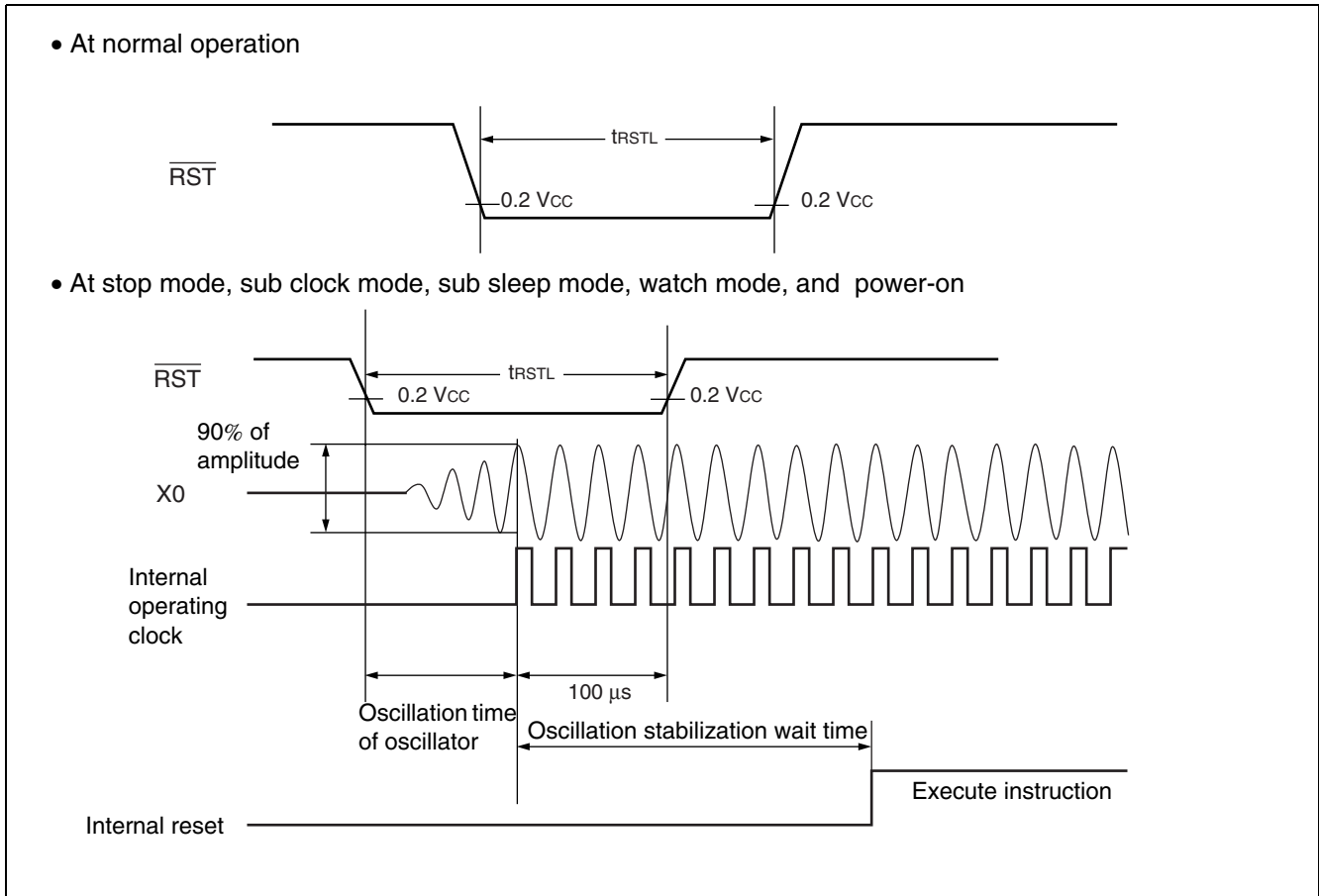
(3) External Reset

($V_{CC} = 5.0 \text{ V} \pm 10\%$, $AV_{SS} = V_{SS} = 0.0 \text{ V}$, $T_A = -40 \text{ }^\circ\text{C}$ to $+85 \text{ }^\circ\text{C}$)

Parameter	Symbol	Value		Unit	Remarks
		Min	Max		
$\overline{\text{RST}}$ "L" level pulse width	t_{RSTL}	$2 t_{\text{MCLK}}^{*1}$	—	ns	At normal operation
		Oscillation time of oscillator ^{*2} + 100	—	μs	At stop mode, sub clock mode, sub sleep mode & watch mode
		100	—	μs	At timebase timer mode

*1 : Refer to "(2) Source Clock/Machine Clock" for t_{MCLK} .

*2 : Oscillation start time of oscillator is the time that the amplitude reaches 90 %. In the crystal oscillator, the oscillation time is between several ms and tens of ms. In ceramic oscillators, the oscillation time is between hundreds of μs and several ms. In the external clock, the oscillation time is 0 ms.

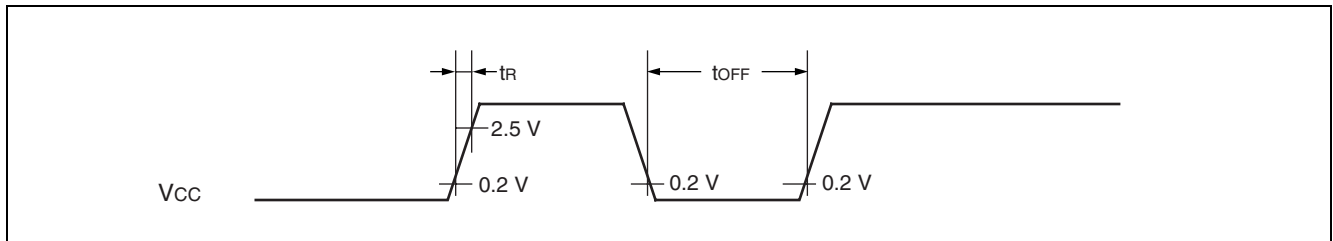


(4) Power-on Reset

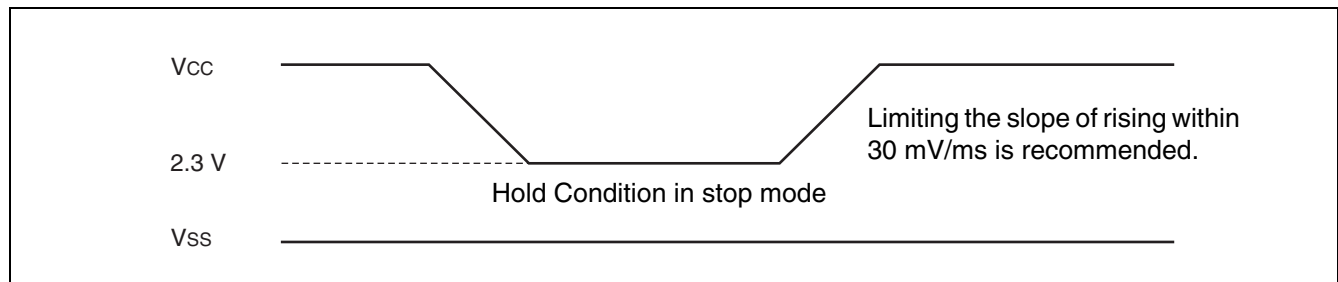
($A_{V_{SS}} = V_{SS} = 0.0 \text{ V}$, $T_A = -40 \text{ }^\circ\text{C}$ to $+85 \text{ }^\circ\text{C}$)

Parameter	Symbol	Condition	Value		Unit	Remarks
			Min	Max		
Power supply rising time	t_R	—	—	50	ms	
Power supply cutoff time	t_{OFF}	—	1	—	ms	Waiting time until power-on

Note : Complete the power-on process within the selected oscillation stabilization wait time.



Note : Sudden change of power supply voltage may activate the power-on reset function. When changing power supply voltages during operation, set the slope of rising within 30 mV/ms as shown below.



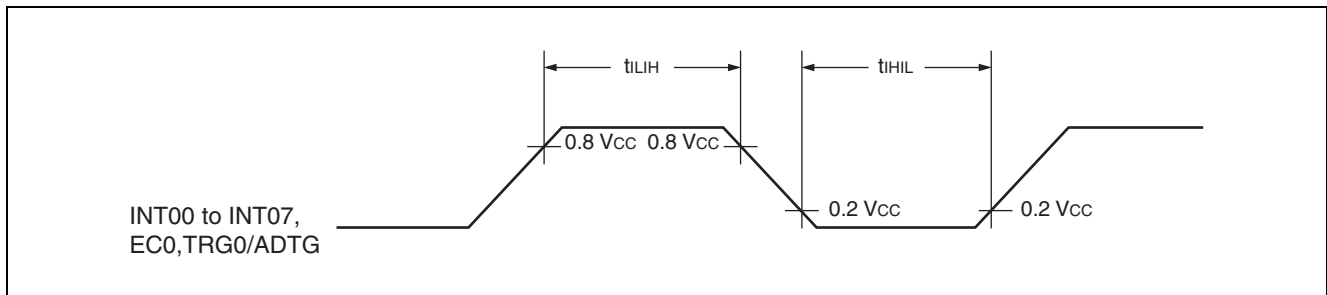
MB95130M Series

(5) Peripheral Input Timing

($V_{CC} = 5.0\text{ V} \pm 10\%$, $AV_{SS} = V_{SS} = 0.0\text{ V}$, $T_A = -40\text{ }^\circ\text{C}$ to $+85\text{ }^\circ\text{C}$)

Parameter	Symbol	Pin name	Value		Unit	Remarks
			Min	Max		
Peripheral input "H" pulse	t_{LIH}	INT00 to INT07, EC0, TRG0/ADTG	$2 t_{MCLK}^*$	—	ns	
Peripheral input "L" pulse	t_{HIL}		$2 t_{MCLK}^*$	—	ns	

* : Refer to "(2) Source Clock/Machine Clock" for t_{MCLK} .



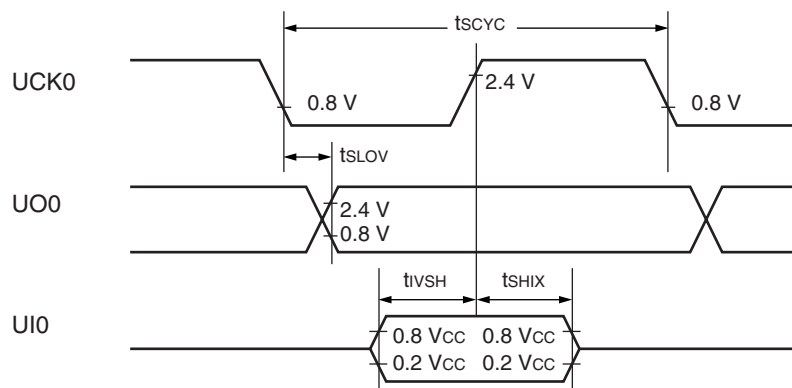
(6) UART/SIO Serial I/O Timing

($V_{CC} = 5.0\text{ V} \pm 10\%$, $AV_{SS} = V_{SS} = 0.0\text{ V}$, $T_A = -40\text{ }^\circ\text{C}$ to $+85\text{ }^\circ\text{C}$)

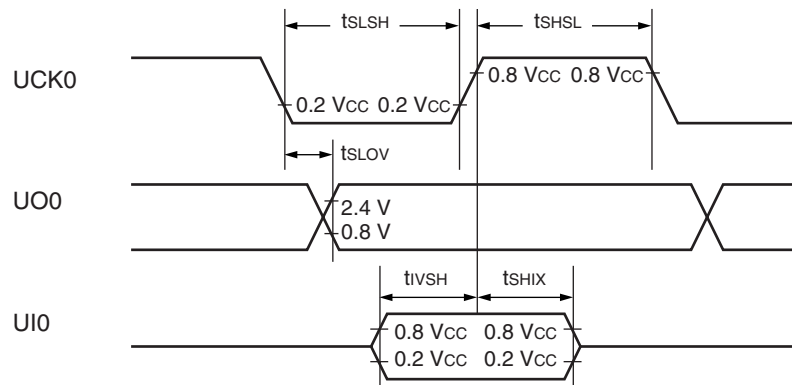
Parameter	Symbol	Pin name	Condition	Value		Unit	Remarks
				Min	Max		
Serial clock cycle time	t_{SCYC}	UCK0, SCK	Internal clock operation output pin : $C_L = 80\text{ pF} + 1\text{ TTL}$.	$4\ t_{MCLK}^*$	—	ns	
UCK ↓ → UO time	t_{SLOV}	UCK0, UO0		- 190	+190	ns	
Valid UI → UCK ↑	t_{VSH}	UCK0, UI0		$2\ t_{MCLK}^*$	—	ns	
UCK ↑ → valid UI hold time	t_{SHIX}	UCK0, UI0		$2\ t_{MCLK}^*$	—	ns	
Serial clock "H" pulse width	t_{SHSL}	UCK0, SCK	External clock operation output pin : $C_L = 80\text{ pF} + 1\text{ TTL}$.	$4\ t_{MCLK}^*$	—	ns	
Serial clock "L" pulse width	t_{SLSH}	UCK0, SCK		$4\ t_{MCLK}^*$	—	ns	
UCK ↓ → UO time	t_{SLOV}	UCK0, UO0		—	190	ns	
Valid UI → UCK ↑	t_{VSH}	UCK0, UI0		$2\ t_{MCLK}^*$	—	ns	
UCK ↑ → valid UI hold time	t_{SHIX}	UCK0, UI0		$2\ t_{MCLK}^*$	—	ns	

* : Refer to "(2) Source Clock/Machine Clock" for t_{MCLK} .

• Internal shift clock mode



• External shift clock mode



MB95130M Series

(7) LIN-UART Timing

Sampling at the rising edge of sampling clock*1 and prohibited serial clock delay*2
 (ESCR register : SCES bit = 0, ECCR register : SCDE bit = 0)

($V_{CC} = 5.0 \text{ V} \pm 10\%$, $AV_{SS} = V_{SS} = 0.0 \text{ V}$, $T_A = -40 \text{ }^\circ\text{C}$ to $+85 \text{ }^\circ\text{C}$)

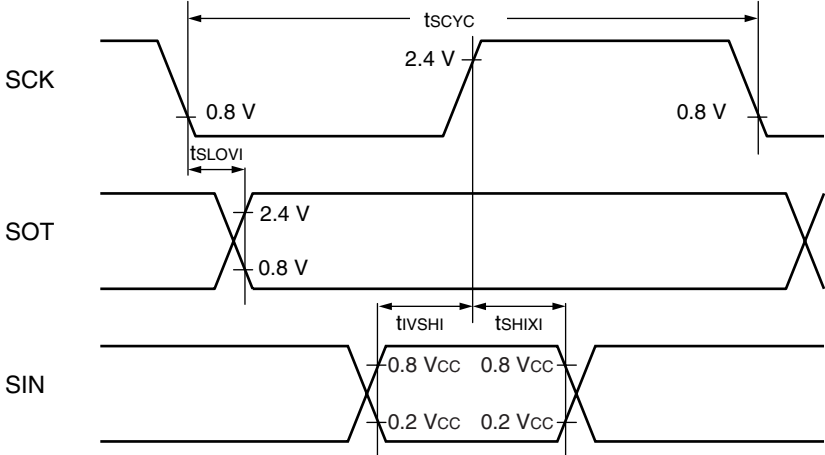
Parameter	Symbol	Pin name	Condition	Value		Unit
				Min	Max	
Serial clock cycle time	t_{SCYC}	SCK	Internal clock operation output pin : $C_L = 80 \text{ pF} + 1 \text{ TTL}$.	$5 t_{MCLK}^{*3}$	—	ns
SCK ↓ → SOT delay time	t_{SLOVI}	SCK, SOT		-95	+95	ns
Valid SIN → SCK↑	t_{IVSHI}	SCK, SIN		$t_{MCLK}^{*3} + 190$	—	ns
SCK ↑ → valid SIN hold time	t_{SHIXI}	SCK, SIN		0	—	ns
Serial clock "L" pulse width	t_{SLSH}	SCK	External clock operation output pin : $C_L = 80 \text{ pF} + 1 \text{ TTL}$.	$3 t_{MCLK}^{*3} - t_R$	—	ns
Serial clock "H" pulse width	t_{SHSL}	SCK		$t_{MCLK}^{*3} + 95$	—	ns
SCK ↓ → SOT delay time	t_{SLOVE}	SCK, SOT		—	$2 t_{MCLK}^{*3} + 95$	ns
Valid SIN → SCK↑	t_{IVSHE}	SCK, SIN		190	—	ns
SCK↑ → valid SIN hold time	t_{SHIXE}	SCK, SIN		$t_{MCLK}^{*3} + 95$	—	ns
SCK fall time	t_F	SCK		—	10	ns
SCK rise time	t_R	SCK		—	10	ns

*1 : Provide switch function whether sampling of reception data is performed at rising edge or falling edge of the serial clock.

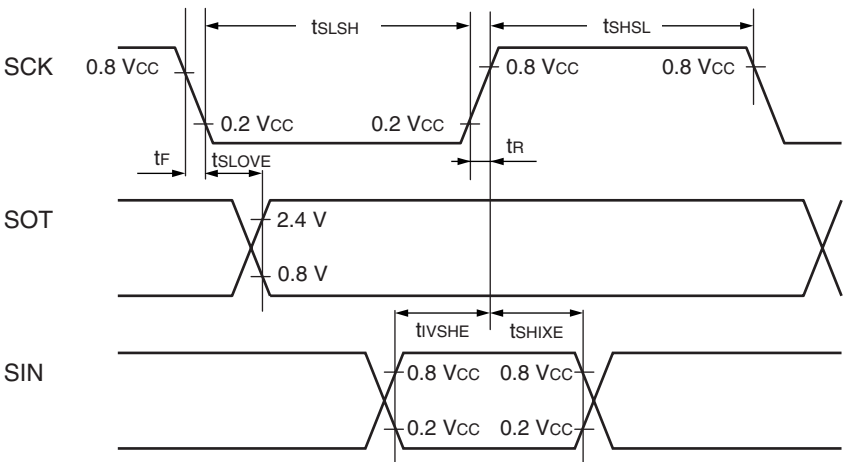
*2 : Serial clock delay function is used to delay half clock for the output signal of serial clock.

*3 : Refer to "(2) Source Clock/Machine Clock" for t_{MCLK} .

- Internal shift clock mode



- External shift clock mode



MB95130M Series

Sampling at the falling edge of sampling clock*1 and prohibited serial clock delay*2
(ESCR register : SCES bit = 1, ECCR register : SCDE bit = 0)

($V_{CC} = 5.0 V \pm 10\%$, $AV_{SS} = V_{SS} = 0.0 V$, $T_A = -40\text{ }^\circ\text{C}$ to $+85\text{ }^\circ\text{C}$)

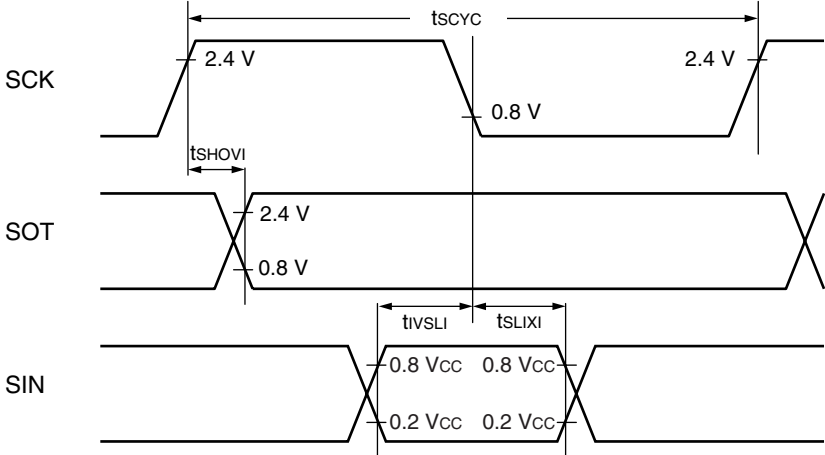
Parameter	Symbol	Pin name	Condition	Value		Unit
				Min	Max	
Serial clock cycle time	t_{SCYC}	SCK	Internal clock operation output pin : $C_L = 80\text{ pF} + 1\text{ TTL}$.	$5 t_{MCLK}^{*3}$	—	ns
SCK \uparrow → SOT delay time	t_{SHOVI}	SCK, SOT		-95	+95	ns
Valid SIN → SCK \downarrow	t_{IVSLI}	SCK, SIN		$t_{MCLK}^{*3} + 190$	—	ns
SCK \downarrow → valid SIN hold time	t_{SLIXI}	SCK, SIN		0	—	ns
Serial clock "H" pulse width	t_{SHSL}	SCK	External clock operation output pin : $C_L = 80\text{ pF} + 1\text{ TTL}$.	$3 t_{MCLK}^{*3} - t_R$	—	ns
Serial clock "L" pulse width	t_{SLSH}	SCK		$t_{MCLK}^{*3} + 95$	—	ns
SCK \uparrow → SOT delay time	t_{SHOVE}	SCK, SOT		—	$2 t_{MCLK}^{*3} + 95$	ns
Valid SIN → SCK \downarrow	t_{IVSLE}	SCK, SIN		190	—	ns
SCK \downarrow → valid SIN hold time	t_{SLIXE}	SCK, SIN		$t_{MCLK}^{*3} + 95$	—	ns
SCK fall time	t_F	SCK		—	10	ns
SCK rise time	t_R	SCK		—	10	ns

*1 : Provide switch function whether sampling of reception data is performed at rising edge or falling edge of the serial clock.

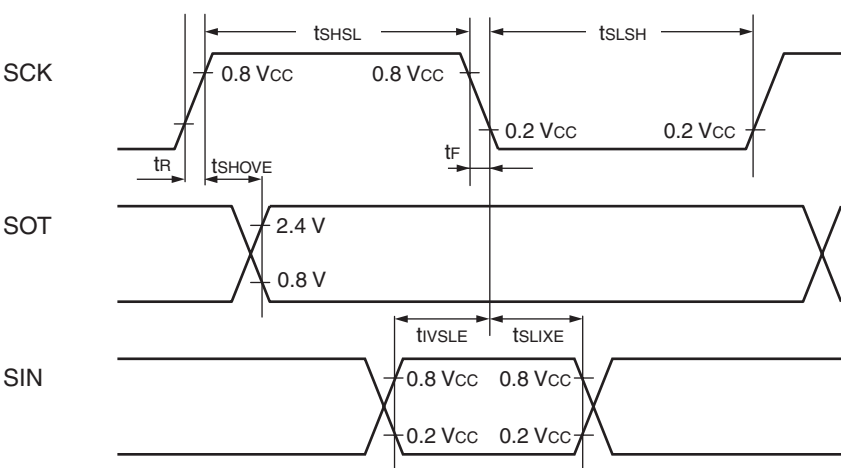
*2 : Serial clock delay function is used to delay half clock for the output signal of serial clock.

*3 : Refer to "(2) Source Clock/Machine Clock" for t_{MCLK} .

- Internal shift clock mode



- External shift clock mode



MB95130M Series

Sampling at the rising edge of sampling clock*¹ and enabled serial clock delay*²
 (ESCR register : SCES bit = 0, ECCR register : SCDE bit = 1)

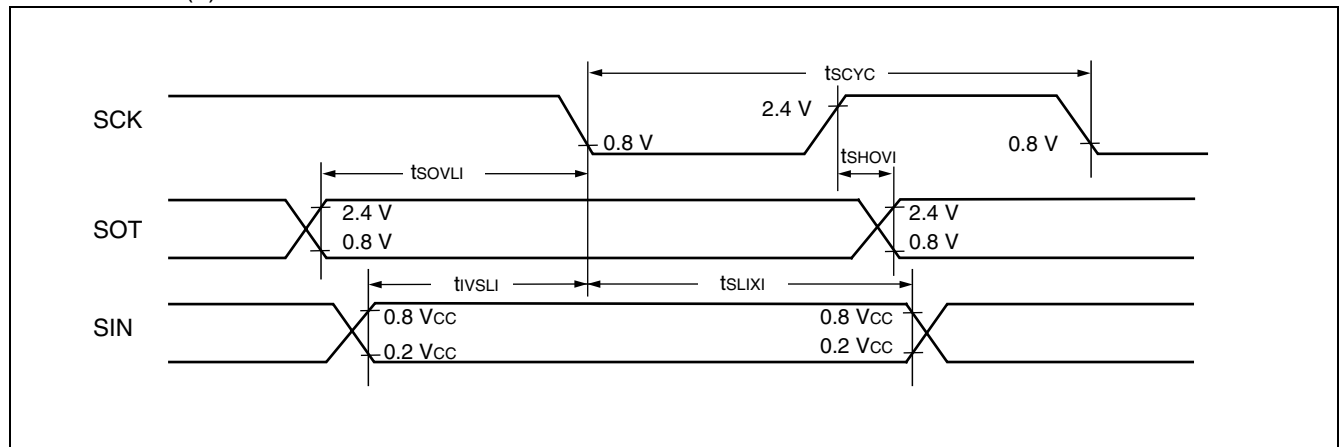
($V_{CC} = 5.0\text{ V} \pm 10\%$, $AV_{SS} = V_{SS} = 0.0\text{ V}$, $T_A = -40\text{ }^\circ\text{C}$ to $+85\text{ }^\circ\text{C}$)

Parameter	Symbol	Pin name	Condition	Value		Unit
				Min	Max	
Serial clock cycle time	t_{SCYC}	SCK	Internal clock operation output pin : $C_L = 80\text{ pF} + 1\text{ TTL}$.	$5 t_{MCLK}^{*3}$	—	ns
SCK \uparrow → SOT delay time	t_{SHOVI}	SCK, SOT		-95	+95	ns
Valid SIN → SCK \downarrow	t_{VSLI}	SCK, SIN		$t_{MCLK}^{*3} + 190$	—	ns
SCK \downarrow → valid SIN hold time	t_{SLIXI}	SCK, SIN		0	—	ns
SOT → SCK \downarrow delay time	t_{SOVLI}	SCK, SOT		—	$4 t_{MCLK}^{*3}$	ns

*1 : Provide switch function whether sampling of reception data is performed at rising edge or falling edge of the serial clock.

*2 : Serial clock delay function is used to delay half clock for the output signal of serial clock.

*3 : Refer to “ (2) Source Clock/Machine Clock” for t_{MCLK} .



MB95130M Series

Sampling at the falling edge of sampling clock*1 and enabled serial clock delay*2
 (ESCR register : SCES bit = 1, ECCR register : SCDE bit = 1)

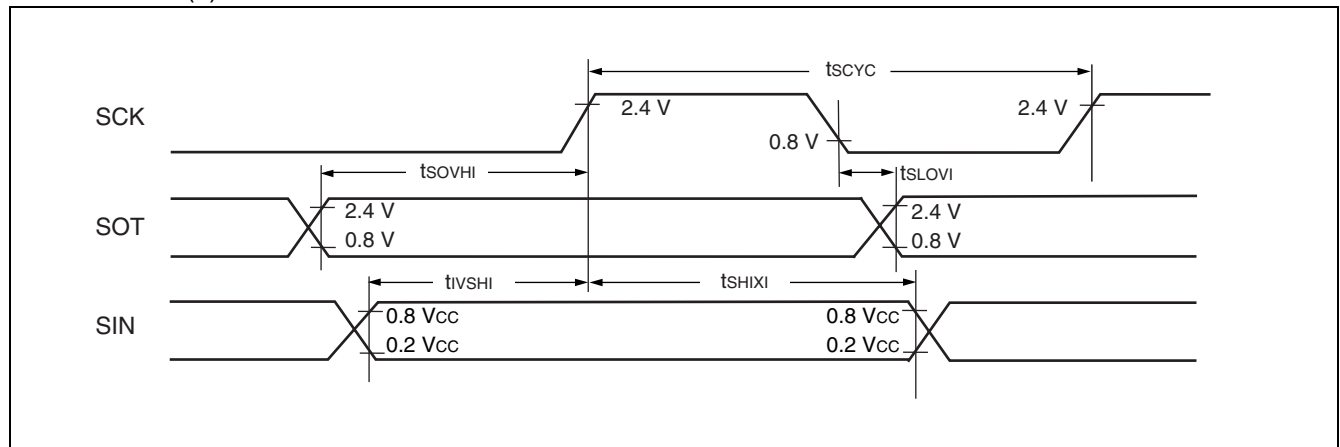
($V_{CC} = 5.0\text{ V} \pm 10\%$, $AV_{SS} = V_{SS} = 0.0\text{ V}$, $T_A = -40\text{ }^\circ\text{C}$ to $+85\text{ }^\circ\text{C}$)

Parameter	Symbol	Pin name	Condition	Value		Unit
				Min	Max	
Serial clock cycle time	t_{SCYC}	SCK	Internal clock operating output pin : $C_L = 80\text{ pF} + 1\text{ TTL}$.	$5 t_{MCLK}^{*3}$	—	ns
SCK $\downarrow \rightarrow$ SOT delay time	t_{SLOVI}	SCK, SOT		-95	+95	ns
Valid SIN \rightarrow SCK \uparrow	t_{IVSHI}	SCK, SIN		$t_{MCLK}^{*3} + 190$	—	ns
SCK $\uparrow \rightarrow$ valid SIN hold time	t_{SHIXI}	SCK, SIN		0	—	ns
SOT \rightarrow SCK \uparrow delay time	t_{SOVHI}	SCK, SOT		—	$4 t_{MCLK}^{*3}$	ns

*1 : Provide switch function whether sampling of reception data is performed at rising edge or falling edge of the serial clock.

*2 : Serial clock delay function is used to delay half clock for the output signal of serial clock.

*3 : Refer to “ (2) Source Clock/Machine Clock” for t_{MCLK} .

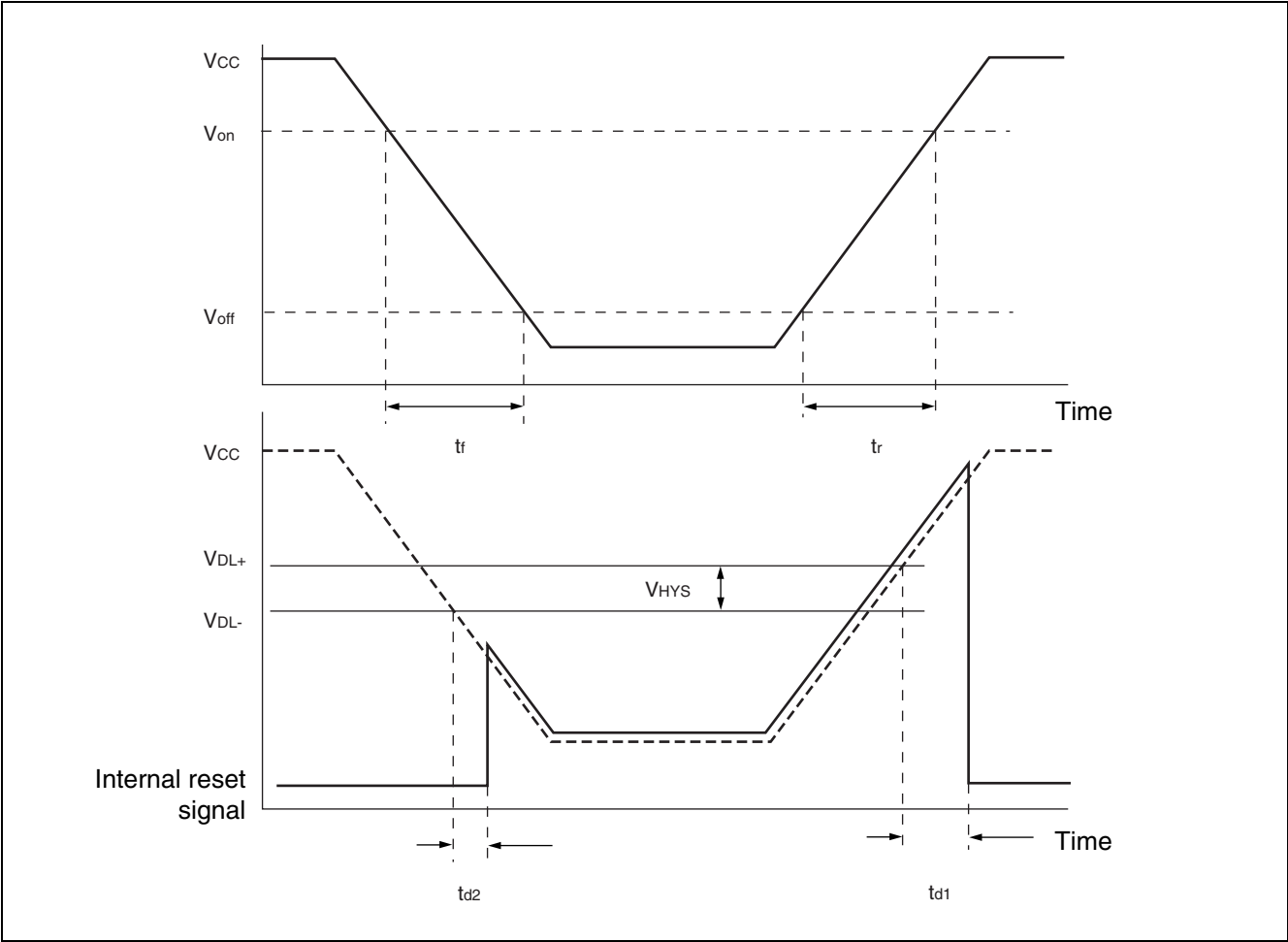


MB95130M Series

(8) Low voltage Detection

($A_{V_{SS}} = V_{SS} = 0.0 \text{ V}$, $T_A = -40 \text{ }^\circ\text{C}$ to $+85 \text{ }^\circ\text{C}$)

Parameter	Symbol	Value			Unit	Remarks
		Min	Typ	Max		
Release voltage	V_{DL+}	2.52	2.70	2.88	V	At power-supply rise
Detection voltage	V_{DL-}	2.42	2.60	2.78	V	At power-supply fall
Hysteresis width	V_{HYS}	70	100	—	mV	
Power-supply start voltage	V_{off}	—	—	2.3	V	
Power-supply end voltage	V_{on}	4.9	—	—	V	
Power-supply voltage change time (at power supply rise)	t_r	0.3	—	—	μs	Slope of power supply that reset release signal generates
		—	3000	—	μs	Slope of power supply that reset release signal generates within rating (V_{DL+})
Power-supply voltage change time (at power supply fall)	t_f	300	—	—	μs	Slope of power supply that reset detection signal generates
		—	300	—	μs	Slope of power supply that reset detection signal generates within rating (V_{DL-})
Reset release delay time	t_{d1}	—	—	400	μs	
Reset detection delay time	t_{d2}	—	—	30	μs	
Consumption current	I_{LVD}	—	38	50	μA	Consumption current of low voltage detection circuit only



MB95130M Series

(9) Clock Supervisor Clock

($V_{CC} = AV_{CC} = 5\text{ V} \pm 10\%$, $AV_{SS} = V_{SS} = 0.0\text{ V}$, $T_A = -40\text{ }^\circ\text{C}$ to $+85\text{ }^\circ\text{C}$)

Parameter	Symbol	Value			Unit	Remarks
		Min	Typ	Max		
Oscillation frequency	f_{OUT}	50	100	200	kHz	
Oscillation start time	t_{wk}	—	—	10	μs	
Current consumption	I_{CSV}	—	20	36	μA	Current consumption of built-in CR oscillator at 100 kHz oscillation

5. A/D Converter

(1) A/D Converter Electrical Characteristics

($AV_{CC} = V_{CC} = 4.0\text{ V to }5.5\text{ V}$, $AV_{SS} = V_{SS} = 0.0\text{ V}$, $T_A = -40\text{ }^\circ\text{C to }+85\text{ }^\circ\text{C}$)

Parameter	Symbol	Value			Unit	Remarks
		Min	Typ	Max		
Resolution	—	—	—	10	bit	
Total error		- 3.0	—	+ 3.0	LSB	
Linearity error		- 2.5	—	+ 2.5	LSB	
Differential linear error		- 1.9	—	+ 1.9	LSB	
Zero transition voltage	V_{OT}	$AV_{SS} - 1.5\text{ LSB}$	$AV_{SS} + 0.5\text{ LSB}$	$AV_{SS} + 2.5\text{ LSB}$	V	
Full-scale transition voltage	V_{FST}	$AV_{CC} - 4.5\text{ LSB}$	$AV_{CC} - 1.5\text{ LSB}$	$AV_{CC} + 0.5\text{ LSB}$	V	
Compare time	—	0.9	—	16500	μs	$4.5\text{ V} \leq AV_{CC} \leq 5.5\text{ V}$
		1.8	—	16500	μs	$4.0\text{ V} \leq AV_{CC} < 4.5\text{ V}$
Sampling time	—	0.6	—	∞	μs	$4.5\text{ V} \leq AV_{CC} \leq 5.5\text{ V}$, At external impedance < at 5.4 k Ω
		1.2	—	∞	μs	$4.0\text{ V} \leq AV_{CC} \leq 4.5\text{ V}$, At external impedance < at 2.4 k Ω
Analog input current	I_{AIN}	- 0.3	—	+ 0.3	μA	
Analog input voltage	V_{AIN}	AV_{SS}	—	AV_{CC}	V	

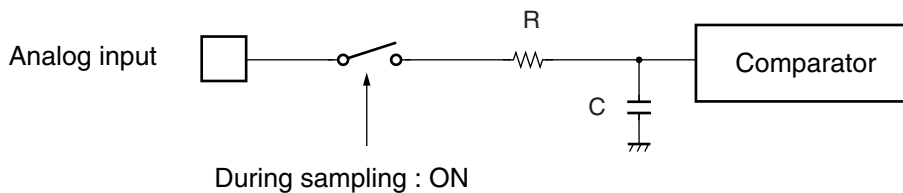
MB95130M Series

(2) Notes on Using A/D Converter

• External impedance of analog input and its sampling time

- A/D converter with sample and hold circuit. If the external impedance is too high to keep sufficient sampling time, the analog voltage charged to the internal sample and hold capacitor is insufficient, adversely affecting A/D conversion precision. Therefore to satisfy the A/D conversion precision standard, consider the relationship between the external impedance and minimum sampling time and either adjust the register value and operating frequency or decrease the external impedance so that the sampling time is longer than the minimum value. Also, if the sampling time cannot be sufficient, connect a capacitor of about 0.1 μF to the analog input pin.

• Analog input equivalent circuit

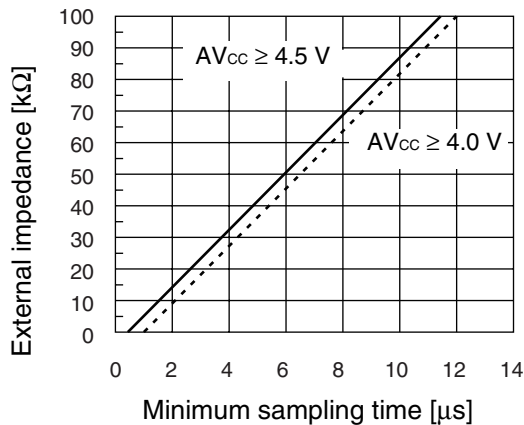


	R	C
$4.5\text{ V} \leq AV_{CC} \leq 5.5\text{ V}$	2.0 k Ω (Max)	16 pF (Max)
$4.0\text{ V} \leq AV_{CC} < 4.5\text{ V}$	8.2 k Ω (Max)	16 pF (Max)

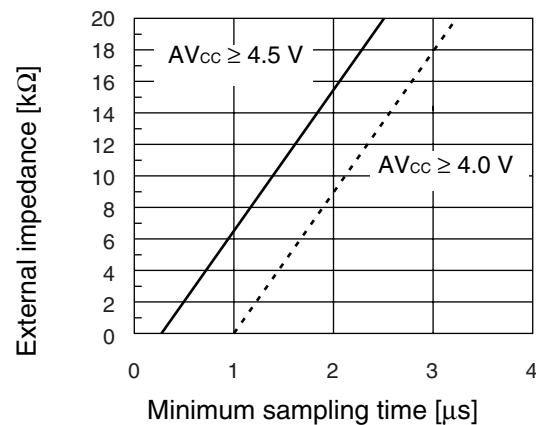
Note : The values are reference values.

• The relationship between external impedance and minimum sampling time

(External impedance = at 0 k Ω to 100 k Ω)



(External impedance = at 0 k Ω to 20 k Ω)

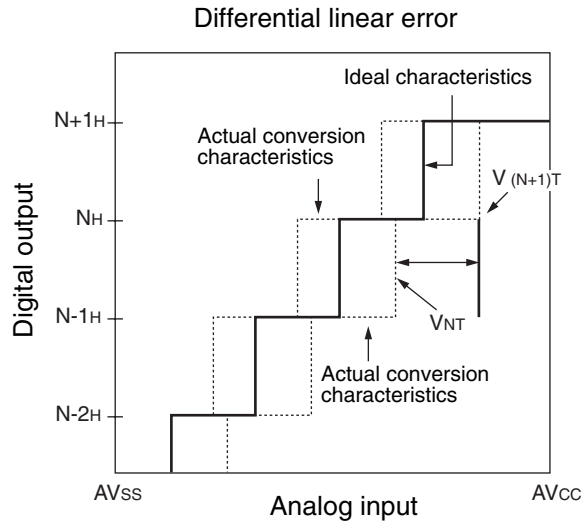
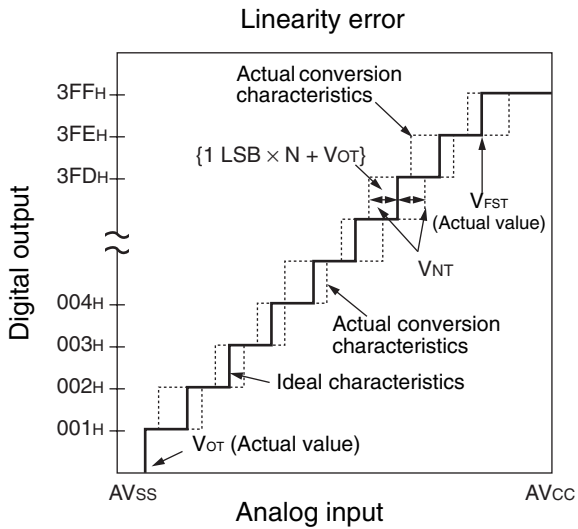
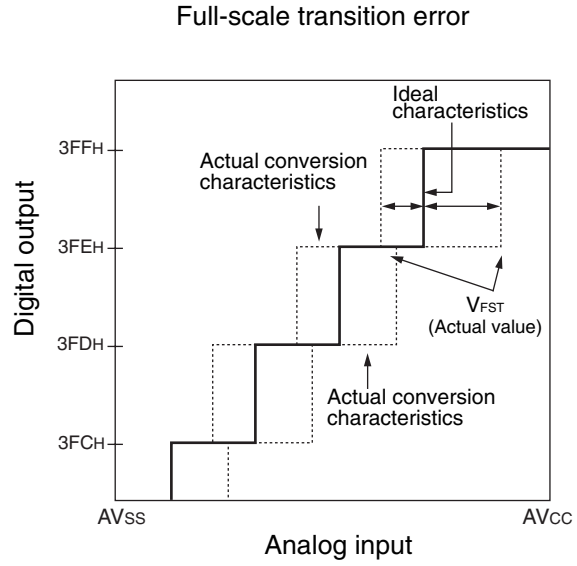
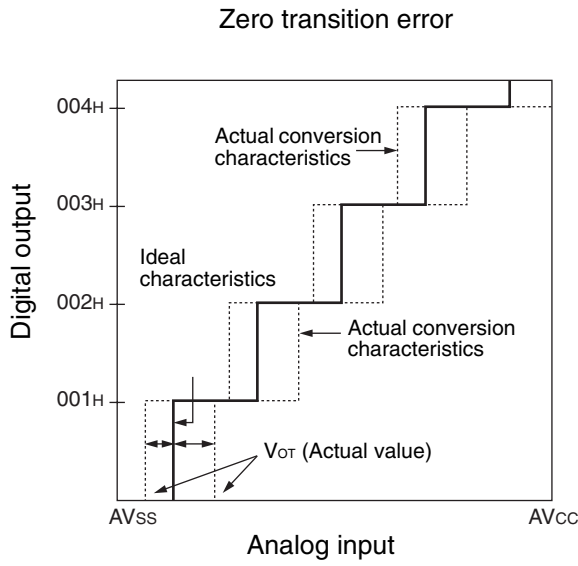


• Errors

As $AV_{CC} - AV_{SSL}$ becomes smaller, values of relative errors grow larger.

MB95130M Series

(Continued)



$$\text{Linear error of digital output } N = \frac{V_{NT} - \{1 \text{ LSB} \times N + V_{OT}\}}{1 \text{ LSB}}$$

$$\text{Differential linear error of digital output } N = \frac{V_{(N+1)T} - V_{NT}}{1 \text{ LSB}} - 1$$

N : A/D converter digital output value

V_{NT} : Voltage at which digital output transits from (N - 1) to N.

V_{OT} (Ideal value) = $AV_{SS} + 0.5 \text{ LSB [V]}$

V_{FST} (Ideal value) = $AV_{CC} - 1.5 \text{ LSB [V]}$

6. Flash Memory Program/Erase Characteristics

Parameter	Value			Unit	Remarks
	Min	Typ	Max		
Chip erase time	—	1.0* ¹	15.0* ²	s	Excludes 00 _H programming prior erasure.
Byte programming time	—	32	3600	μs	Excludes system-level overhead.
Erase/program cycle	10000	—	—	cycle	
Power supply voltage at erase/program	4.5	—	5.5	V	
Flash memory data retention time	20* ³	—	—	year	Average T _A = +85 °C

*1 : T_A = + 25 °C, V_{CC} = 5.0 V, 10000 cycles

*2 : T_A = + 85 °C, V_{CC} = 4.5 V, 10000 cycles

*3 : This value comes from the technology qualification (using Arrhenius equation to translate high temperature measurements into normalized value at +85 °C) .

MB95130M Series

■ MASK OPTION

No.	Part number	MB95136M	MB95F133MS/ F133NS/F133JS MB95F134MS/ F134NS/F134JS MB95F136MS/ F136NS/F136JS	MB95F133MW/ F133NW/F133JW MB95F134MW/ F134NW/F134JW MB95F136MW/ F136NW/F136JW	MB95FV100D-103
	Specifying procedure	Specify when ordering MASK	Setting disabled	Setting disabled	Setting disabled
1	Clock mode select • Single-system clock mode • Dual-system clock mode	selectable	Single-system clock mode	Dual-system clock mode	Changing by the switch on MCU board
2	Low voltage detection reset* • With low voltage detection reset • Without low voltage detection reset	Specify when ordering MASK	Specified by part number	Specified by part number	Change by the switch on MCU board
3	Clock supervisor* • With clock supervisor • Without clock supervisor	Specify when ordering MASK	Specified by part number	Specified by part number	Change by the switch on MCU board
4	Reset output* • With reset output • Without reset output	Specify when ordering MASK	Specified by part number	Specified by part number	MCU board switch set as following ; • With supervisor : Without reset output • Without supervisor : With reset output
5	Oscillation stabilization wait time	Fixed to oscillation stabilization wait time of $(2^{14}-2) / F_{CH}$	Fixed to oscillation stabilization wait time of $(2^{14}-2) / F_{CH}$	Fixed to oscillation stabilization wait time of $(2^{14}-2) / F_{CH}$	Fixed to oscillation stabilization wait time of $(2^{14}-2) / F_{CH}$

*: Refer to table below about clock mode select, low voltage detection reset, clock supervisor select and reset output.

MB95130M Series

Part number	Clock mode select	Low-voltage detection reset	Clock supervisor	Reset output
MB95136M	Single - system	No	No	Yes
		Yes	No	Yes
		Yes	Yes	No
	Dual - system	No	No	Yes
		Yes	No	Yes
		Yes	Yes	No
MB95F133MS	Single - system	No	No	Yes
MB95F133NS		Yes	No	Yes
MB95F133JS		Yes	Yes	No
MB95F134MS		No	No	Yes
MB95F134NS		Yes	No	Yes
MB95F134JS		Yes	Yes	No
MB95F136MS		No	No	Yes
MB95F136NS		Yes	No	Yes
MB95F136JS		Yes	Yes	No
MB95F133MW		Dual - system	No	No
MB95F133NW	Yes		No	Yes
MB95F133JW	Yes		Yes	No
MB95F134MW	No		No	Yes
MB95F134NW	Yes		No	Yes
MB95F134JW	Yes		Yes	No
MB95F136MW	No		No	Yes
MB95F136NW	Yes		No	Yes
MB95F136JW	Yes		Yes	No
MB95FV100D-103	Single - system	No	No	Yes
		Yes	No	Yes
		Yes	Yes	No
	Dual - system	No	No	Yes
		Yes	No	Yes
		Yes	Yes	No

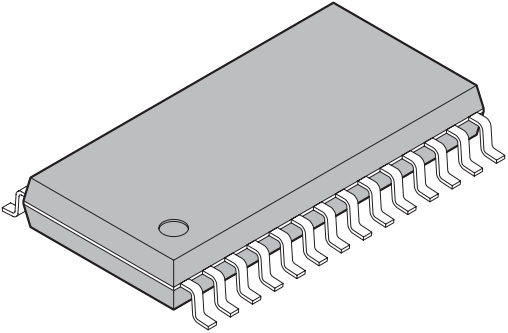
MB95130M Series

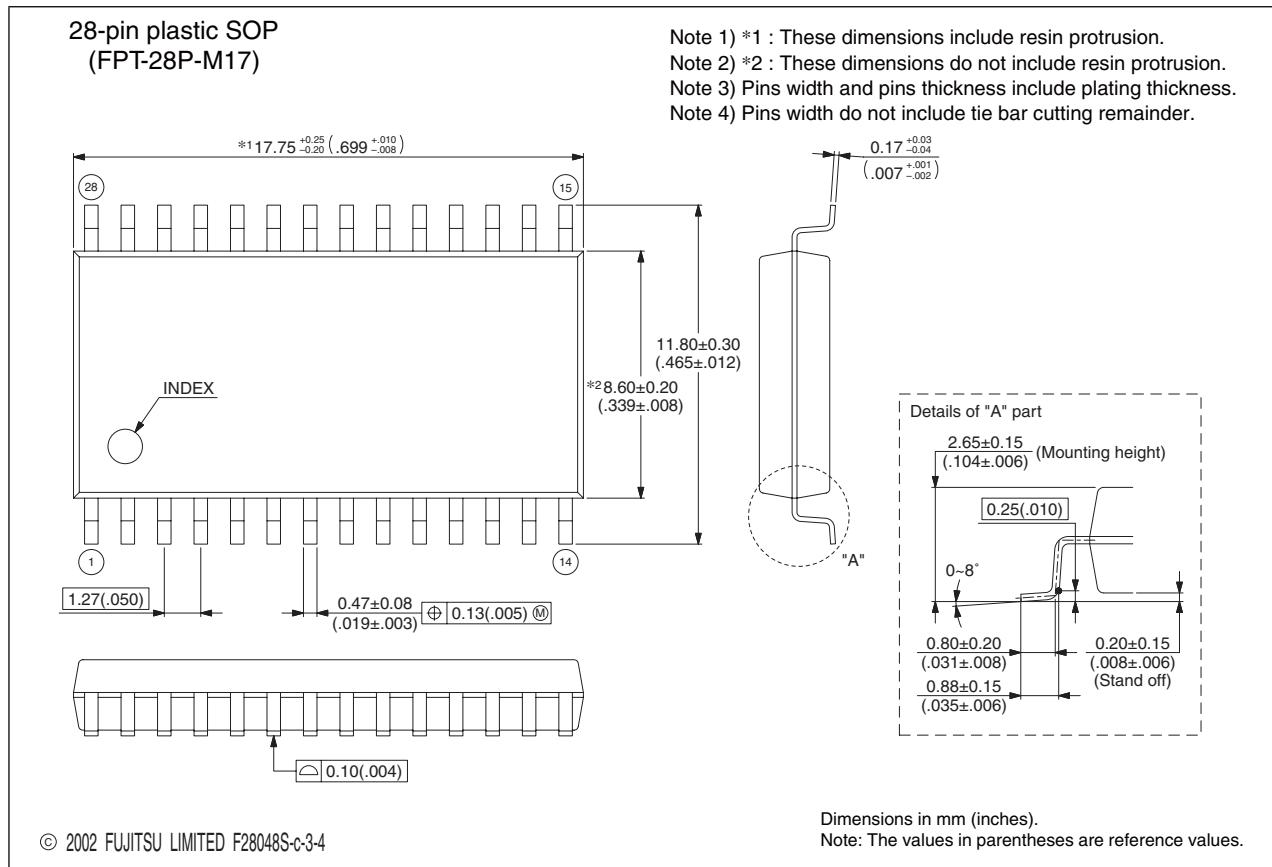
■ ORDERING INFORMATION

Part number	Package
MB95136MPFV MB95F133MSPFV MB95F133NSPFV MB95F133JSPFV MB95F134MSPFV MB95F134NSPFV MB95F134JSPFV MB95F136MSPFV MB95F136NSPFV MB95F136JSPFV MB95F133MWPFV MB95F133NWPFV MB95F133JWPFV MB95F134MWPFV MB95F134NWPFV MB95F134JWPFV MB95F136MWPFV MB95F136NWPFV MB95F136JWPFV	28-pin plastic SOP (FPT-28P-M17)
MB2146-303A (MB95FV100D-103PBT)	MCU board (224-pin plastic PFBGA) (BGA-224P-M08)

MB95130M Series

■ PACKAGE DIMENSION

<p>28-pin plastic SOP</p>  <p>(FPT-28P-M17)</p>	Lead pitch	1.27 mm
	Package width × package length	8.6 × 17.75 mm
	Lead shape	Gullwing
	Sealing method	Plastic mold
	Mounting height	2.80 mm MAX
	Weight	0.82 g
	Code (Reference)	P-SOP28-8.6×17.75-1.27



Please confirm the latest Package dimension by following URL.
<http://edevice.fujitsu.com/fj/DATASHEET/ef-ovpklv.html>

MB95130M Series

■ MAIN CHANGES IN THIS EDITION

Page	Section	Change Results
—	—	Preliminary Data Sheet → Data Sheet
—	—	Added the part numbers. (MB95F133JS/MB95F133JW MB95F134JS/MB95F134JW MB95F136JS/MB95F136JW)
4	■ PRODUCT LINEUP	Added the description "Clock supervisor" in the section "Option".
15	■ PROGRAMMING FLASH MEMORY MICROCONTROLLERS USING PARALLEL PROGRAMMER	Inserted "• Programming Method".
25	■ I/O MAP	Added the address 0FEA _H .
30	2. Recommended Operating Conditions	"Verified the Min value in the section of "Other than MB95FV100D-103", "In normal operating" of "Power supply voltage"; 2.5 → 2.42.
		Verified the value in *2; 2.9 V → 2.88 V.
		Moved "H" level input voltage and "L" level input voltage to the section "3. DC Characteristics".
31	3. DC Characteristics	Added the pin name at the "Pin name" in the section of V _{IHA} , "H" level input voltage.
		Added the pin name at the "Pin name" in the section of V _{ILA} , "L" level input voltage.
34		Deleted the line of "F _{CH} = 16 MHz" in the section "I _{CTS} " of Power supply current.
35	4. AC Characteristics (1) Clock Timing	Changed in the table; V _{CC} = 2.5 V to 5.5 V → V _{CC} = 2.42 V to 5.5 V.
		Changed the Max value on the third column of the clock frequency; 16.25 → 10.00
38	4. AC Characteristics (2) Source Clock/Machine Clock	Verified the diagram of Main PLL operation frequency range.
50	(8) Low Voltage Detection	Changed the release voltage: 2.55 → 2.52 (Min value) 2.85 → 2.88 (Max value)
		Changed the detection voltage: 2.45 → 2.42 (Min value) 2.75 → 2.78 (Max value)

MB95130M Series

The information for microcontroller supports is shown in the following homepage.
<http://www.fujitsu.com/global/services/microelectronics/product/micom/support/index.html>

FUJITSU LIMITED

All Rights Reserved.

The contents of this document are subject to change without notice. Customers are advised to consult with FUJITSU sales representatives before ordering.

The information, such as descriptions of function and application circuit examples, in this document are presented solely for the purpose of reference to show examples of operations and uses of Fujitsu semiconductor device; Fujitsu does not warrant proper operation of the device with respect to use based on such information. When you develop equipment incorporating the device based on such information, you must assume any responsibility arising out of such use of the information. Fujitsu assumes no liability for any damages whatsoever arising out of the use of the information.

Any information in this document, including descriptions of function and schematic diagrams, shall not be construed as license of the use or exercise of any intellectual property right, such as patent right or copyright, or any other right of Fujitsu or any third party or does Fujitsu warrant non-infringement of any third-party's intellectual property right or other right by using such information. Fujitsu assumes no liability for any infringement of the intellectual property rights or other rights of third parties which would result from the use of information contained herein.

The products described in this document are designed, developed and manufactured as contemplated for general use, including without limitation, ordinary industrial use, general office use, personal use, and household use, but are not designed, developed and manufactured as contemplated (1) for use accompanying fatal risks or dangers that, unless extremely high safety is secured, could have a serious effect to the public, and could lead directly to death, personal injury, severe physical damage or other loss (i.e., nuclear reaction control in nuclear facility, aircraft flight control, air traffic control, mass transport control, medical life support system, missile launch control in weapon system), or (2) for use requiring extremely high reliability (i.e., submersible repeater and artificial satellite).

Please note that Fujitsu will not be liable against you and/or any third party for any claims or damages arising in connection with above-mentioned uses of the products.

Any semiconductor devices have an inherent chance of failure. You must protect against injury, damage or loss from such failures by incorporating safety design measures into your facility and equipment such as redundancy, fire protection, and prevention of over-current levels and other abnormal operating conditions.

If any products described in this document represent goods or technologies subject to certain restrictions on export under the Foreign Exchange and Foreign Trade Law of Japan, the prior authorization by Japanese government will be required for export of those products from Japan.

The company names and brand names herein are the trademarks or registered trademarks of their respective owners.

Edited Business Promotion Dept.