

H11L1X, H11L2X, H11L3X, H11L4X
H11L1, H11L2, H11L3, H11L4



**MICROPROCESSOR COMPATIBLE
SCHMITT TRIGGER OPTICALLY
COUPLED ISOLATOR**

APPROVALS

- UL recognised, File No. E91231
- 'X' SPECIFICATION APPROVALS
- VDE 0884 in 2 available lead forms : -
- STD
- G form

DESCRIPTION

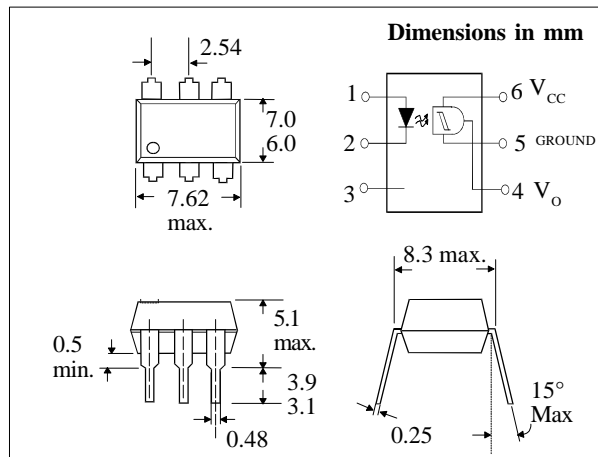
The H11L1, 2, 3, 4 series are optically coupled isolators consisting of a Gallium Arsenide infrared emitting diode and a Microprocessor Compatible Schmitt trigger output mounted in a standard 6 pin dual in line package.

FEATURES

- Options :-
10mm lead spread - add G after part no.
Surface mount - add SM after part no.
Tape&reel - add SMT&R after part no.
- High data rate, 1MHz typical (NRZ)
- Microprocessor compatible drive
- Logic compatible output sinks 16 milliamperes at 0.4 volts maximum
- High Isolation Voltage (5.3kV_{RMS}, 7.5kV_{PK})
- High common mode rejection ratio
- Fast switching : t_{rise} , t_{fall} = 100ns typical
- Wide supply voltage capability, compatible with all popular logic systems
- Guaranteed On / Off threshold hysteresis

APPLICATIONS

- Logic to logic isolator
- Line receiver-eliminates noise and transient problems
- Programmable current level sensor
- AC to TTL conversion - square wave shaping
- Digital programming of power supplies
- Interfaces computers with peripherals



**ABSOLUTE MAXIMUM RATINGS
(25°C unless otherwise specified)**

Storage Temperature _____ -55°C to + 150°C
Operating Temperature _____ -55°C to + 100°C
Lead Soldering Temperature
(1/16 inch (1.6mm) from case for 10 secs) 260°C

INPUT DIODE

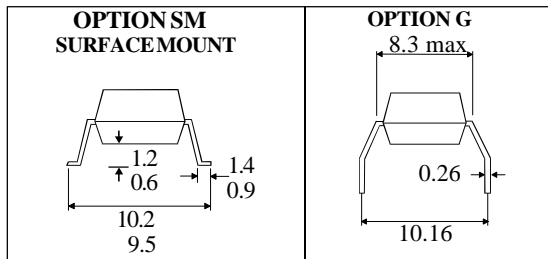
Forward Current _____ 60mA
Reverse Voltage _____ 6V
Power Dissipation
(derate linearly 1.33mW / °C above 25°C)___ 105mW

OUTPUT DETECTOR

V₄₅ allowed range _____ 0 to 16V
V₆₅ allowed range _____ 0 to 16V
I₄ output current _____ 50mA
Power Dissipation
(derate linearly 2mW / °C above 25°C)___ 150mW

POWER DISSIPATION

Total Power Dissipation
(derate linearly 2.27mW/ °C above 25°C)___ 170mW



ISOCOM COMPONENTS LTD
Unit 25B, Park View Road West,
Park View Industrial Estate, Brenda Road
Hartlepool, Cleveland, TS25 1YD
Tel: (01429) 863609 Fax :(01429) 863581

ISOCOM INC
1024 S. Greenville Ave, Suite 240,
Allen, TX 75002 USA
Tel: (214)495-0755 Fax: (214)495-0901
e-mail info@isocom.com
http://www.isocom.com

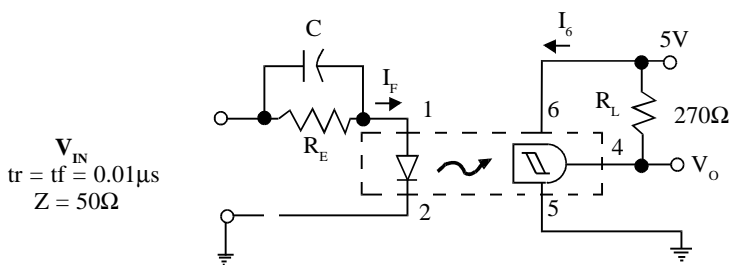
ELECTRICAL CHARACTERISTICS ($T_A = 25^\circ\text{C}$ Unless otherwise noted)

PARAMETER		MIN	TYP	MAX	UNITS	TEST CONDITION
Input	Forward Voltage (V_F)	0.75			V	$I_F = 0.3\text{mA}$ $I_F = 10\text{mA}$ $V_R = 3\text{V}$ $V = 0, f = 1\text{MHz}$
	Forward Voltage (V_F)			1.5	V	
	Reverse Current (I_R)			10	μA	
	Capacitance (C_j)			100	pF	
Output	Operating Voltage Range (V_{CC})	3		15	V	$I_F = 0\text{mA}, V_{CC} = 5\text{V}$ $I_F = 0\text{mA}, V_{CC} = V_o = 15\text{V}$
	Supply Current I_o (off)		1	5	mA	
	Output Current High (I_{OH})			100	μA	
Coupled	Supply Current I_o (on)		1.6	5	mA	$I_F = 10\text{mA}, V_{CC} = 5\text{V}$ $R_L = 270\Omega, V_{CC} = 5\text{V}$
	Output Voltage, Low (V_{OL})			0.4	V	
	Turn-on Threshold Current I_F (on)					
	H11L1			1.6	mA	$R_L = 270\Omega, V_{CC} = 5\text{V}$
	H11L2			10	mA	$R_L = 270\Omega, V_{CC} = 5\text{V}$
	H11L3			5	mA	$R_L = 270\Omega, V_{CC} = 5\text{V}$
	H11L4			2	mA	$R_L = 270\Omega, V_{CC} = 5\text{V}$
	Turn-off Threshold Current I_F (off)	0.3			mA	$R_L = 270\Omega, V_{CC} = 5\text{V}$
	Hysteresis Ratio I_F (off) / I_F (on)	0.5	0.9			$R_L = 270\Omega, V_{CC} = 5\text{V}$
	Input to Output Isolation Voltage V_{ISO}	5300			V_{RMS}	See note 1
		7500			V_{PK}	See note 1
	Turn-on Time	t_{on}	0.57		μs	$R_E = 1200\Omega$
	Fall Time	t_f	0.09		μs	$C = 270\text{pF}$
Turn-off Time	t_{off}	1.40		μs	$f \leq 100\text{kHz}$	
Rise Time	t_r	0.05		μs	$tp = 1\mu\text{s}$ or greater	

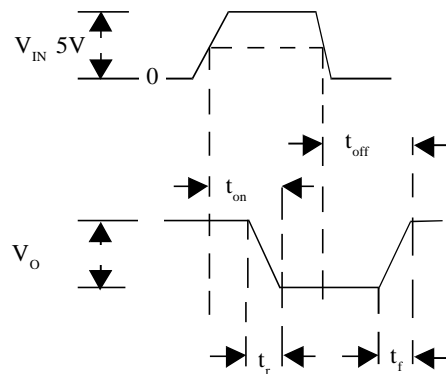
Note 1 Measured with input leads shorted together and output leads shorted together.

Note 2 Special Selections are available on request. Please consult the factory.

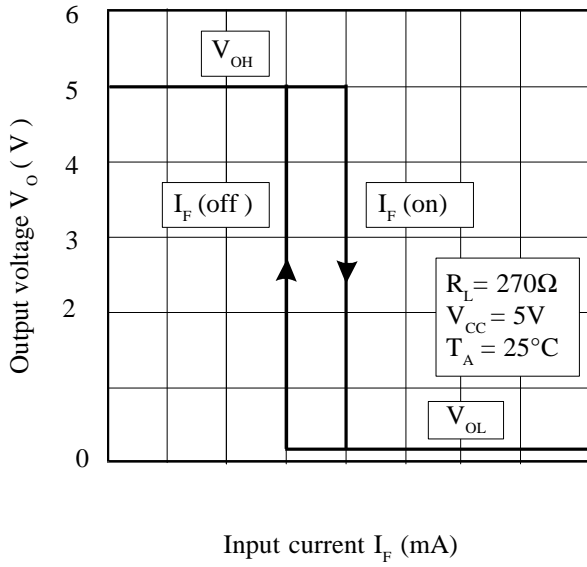
SWITCHING CHARACTERISTICS



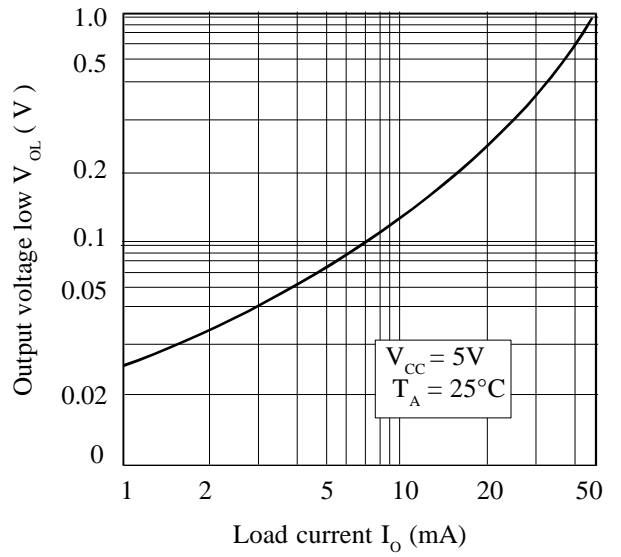
SWITCHING TEST CIRCUIT



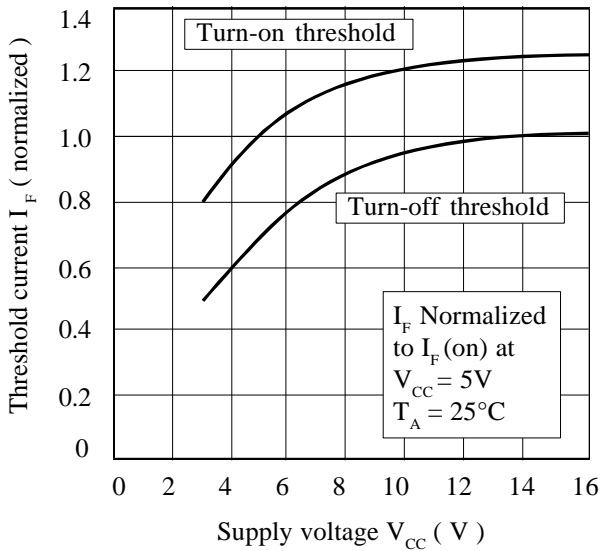
Transfer Characteristics



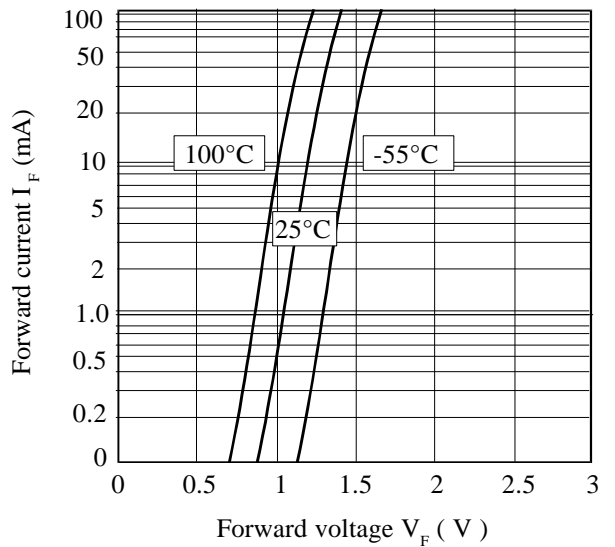
On Voltage vs. Load Current



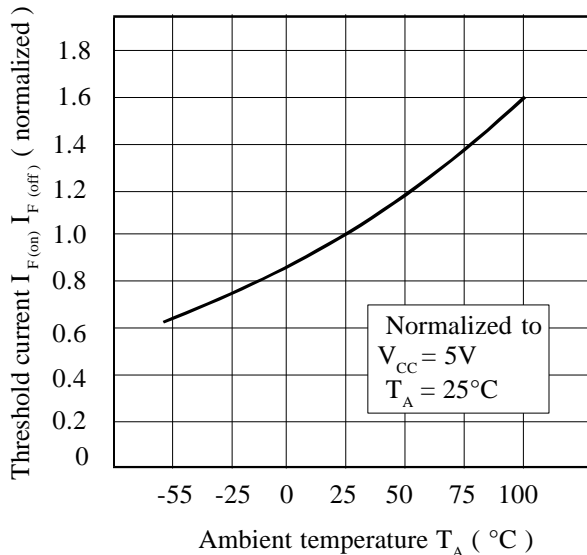
Threshold Current vs. Supply Voltage



Forward Voltage vs. Forward Current



Threshold Current vs. Ambient Temperature



Supply Current vs. Supply Voltage

