

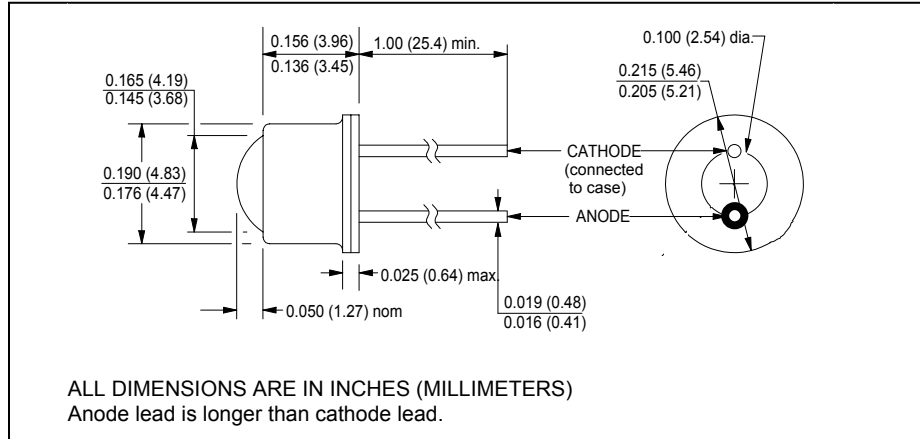
CLE501

390nm UV LED

Dome Lens, TO-46 Aluminum Package



April, 2006



features

- 390nm wavelength
- $\pm 35^\circ$ emission angle
- Cathode connected to case
- RoHS compliant

applications

- identifying petroleum deposits in down-hole drilling operations
- currency validation
- security
- water purification
- UV epoxy curing

description

The CLE501 contains a single 390nm LED die mounted on a TO-46 aluminum header. Custom variations are available which can contain from one to more than nine die. Special lenses and multiple lead packages are also available. Call Clairex for more information.

absolute maximum ratings ($T_A = 25^\circ\text{C}$ unless otherwise stated)

storage temperature	-40°C to +100°C
operating temperature	-40°C to +100°C
lead soldering temperature ⁽¹⁾	260°C
continuous forward current ⁽²⁾	20mA
peak forward current (1.0ms pulse width, 10% duty cycle)	0.5A
reverse voltage	5.0V
continuous power dissipation ⁽³⁾	200mW

notes:

1. 0.06" (1.5mm) from case for 5 seconds maximum
2. Derate linearly 0.21mA/°C from 25°C free air temperature to $T_A = +100^\circ\text{C}$.
3. Derate linearly 3.73mW/°C from 25°C free air temperature to $T_A = +100^\circ\text{C}$.

Exercise caution when applying power to this unit. It emits high amounts of UV radiation. Do not look directly into the lens without proper eye protection.

electrical characteristics ($T_A = 25^\circ\text{C}$ unless otherwise noted)

symbol	parameter	min	typ	max	units	test conditions
P_O	Total power output ⁽⁴⁾	1.5	-	-	mW	$I_F = 20\text{mA}$
V_F	Forward voltage	-	3.0	3.9	V	$I_F = 20\text{mA}$
I_R	Reverse current	-	-	10	μA	$V_R = 5.0\text{V}$
λ_p	Peak emission wavelength	375	390	405	nm	$I_F = 20\text{mA}$
θ_{HP}	Emission angle at half power points	-	70	-	deg.	$I_F = 20\text{mA}$

note: 4. Power output is measured in an integrating sphere.

Clairex reserves the right to make changes at any time to improve design and to provide the best possible product.

Clairex Technologies, Inc.
Phone: 972-265-4900

1301 East Plano Parkway
Fax: 972-265-4949

Plano, Texas 75074-8524
www.clairex.com