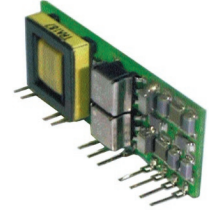


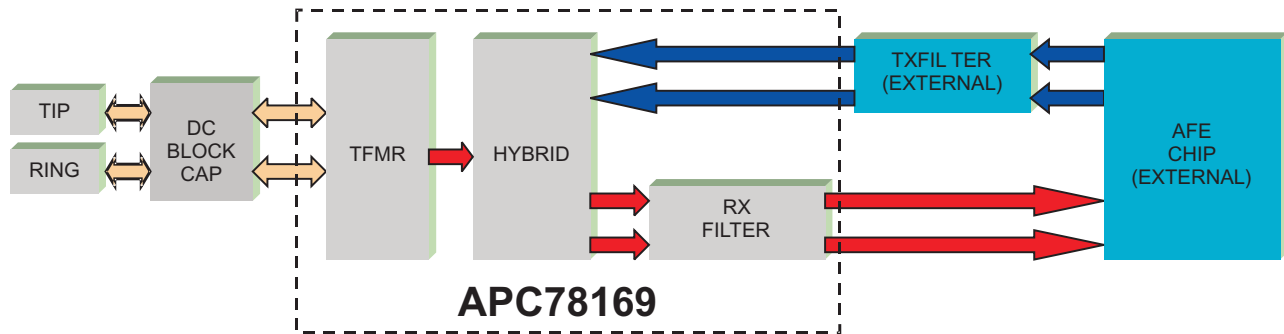
CO for Octal Chipset APC78169



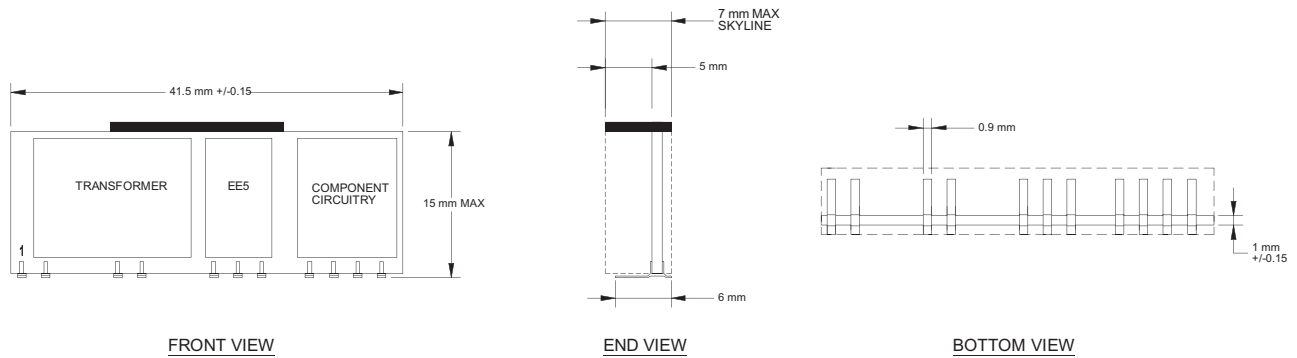
FEATURES

- Highest Density
- Reduced procurement costs
- Reduce design cycle
- Layer reduction potential on Mother Board

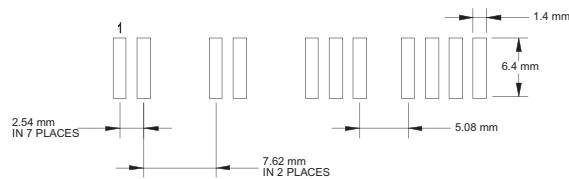
BLOCK DIAGRAM



MECHANICAL



RECOMMENDED P.C.B FOOTPRINT



NOTES: ALL TOLERANCES ARE +/- 0.010
0.25