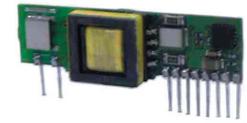


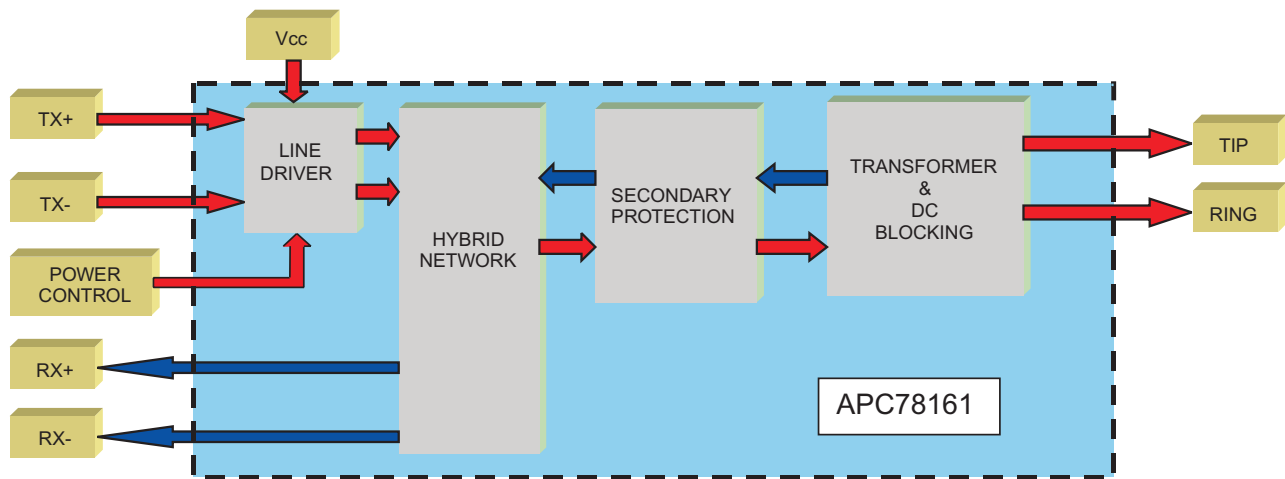
High Density ADSL SIP Hybrid Module (Annex B) APC78161



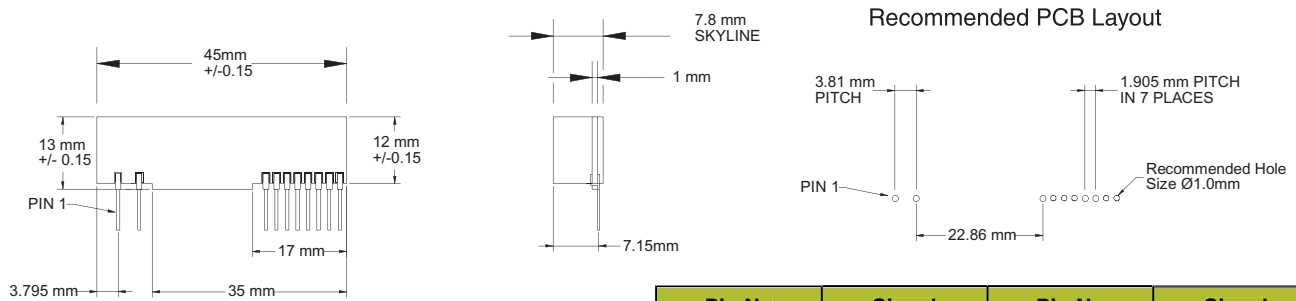
FEATURES

- Optimized for the Broadcom BCM6410/BCM6420 chipset
- Very small footprint
- High efficiency design
- Optimized for Annex B operation

BLOCK DIAGRAM



MECHANICAL



NOTES: ALL TOLERANCES ARE +/- 0.010
0.25

Pin No	Signal	Pin No	Signal
1	Tip (Line +ve)	6	PWCTRL0
2	Ring (Line -ve)	7	TX+ve
3	RX+ve	8	TX-ve
4	RX-ve	9	POWER
5	PWCTRL1	10	GND