

# VDSL Splitter Protection Module

## APC77134



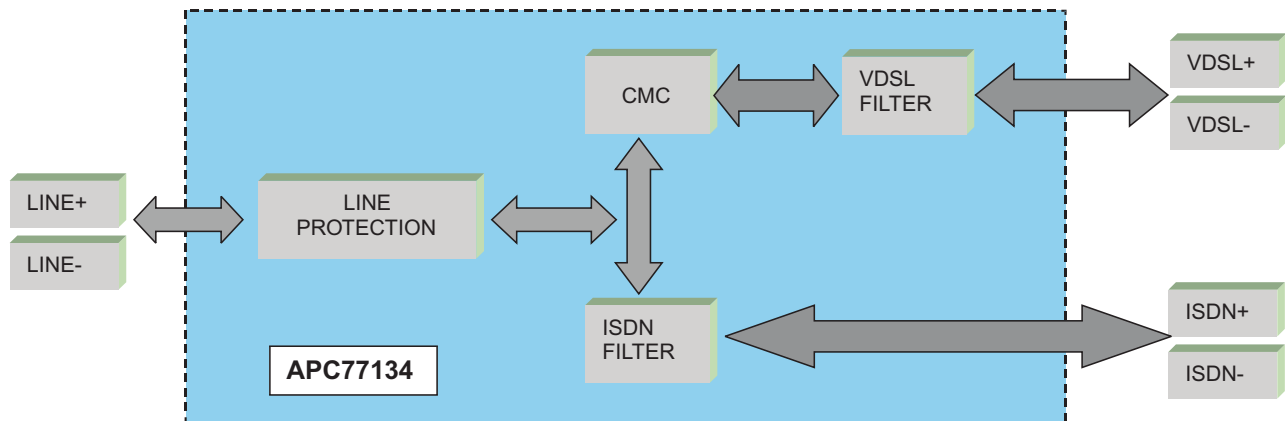
### FEATURES

- Designed for Broadcom BCM6315 and BCM6020 chipset
- Includes Line Protection (voltage and current) / VDSL filter / ISDN (CPE) Splitter functions
- Minimum surface mount footprint for increased line card density

### ELECTRICAL SPECIFICATIONS@25°C

Description	Passband Freq	Stopband Freq	Attenuation min	Impedance
ISDN LPF (CPE)	DC to 120 KHz	220 KHz >	50dB	100R
VDSL HPF (CPE)	200 KHz >	DC to 100 KHz	50dB	100R

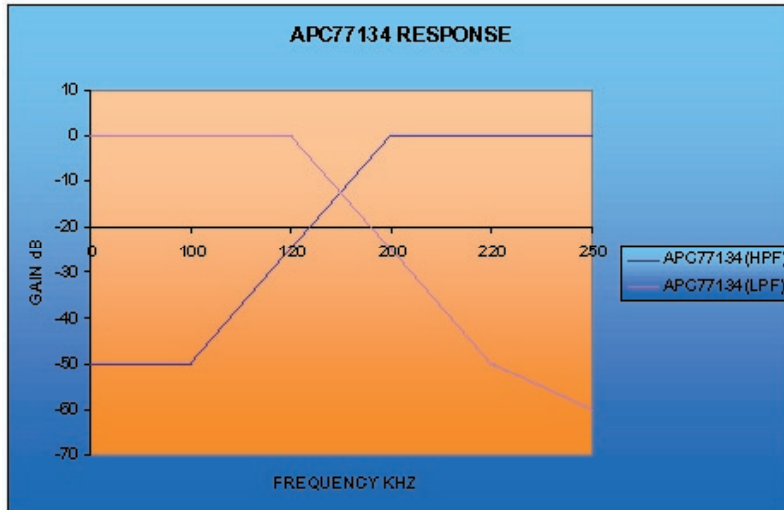
### BLOCK DIAGRAM



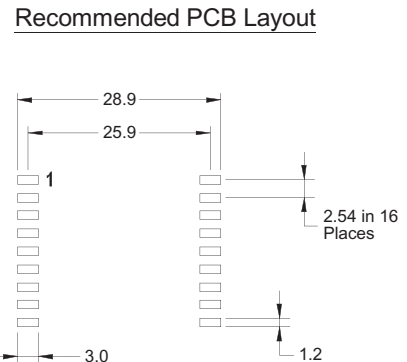
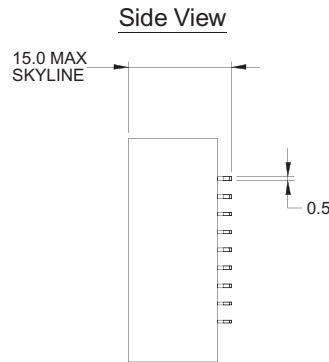
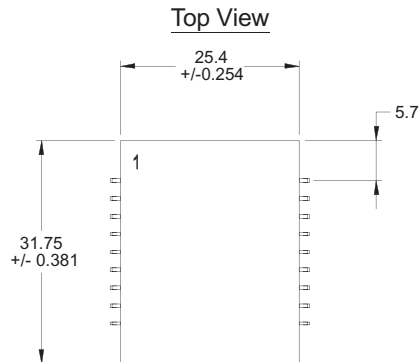


# VDSL Splitter Protection Module APC77134

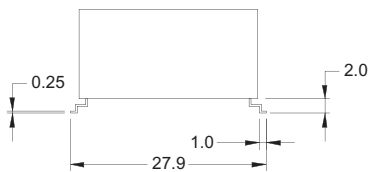
## FREQUENCY ALLOCATION



## MECHANICAL



### End View



Pin No.	Signal	Pin No.	Signal
1	RING	10	N/C
2	FGND	11	N/C
3	FGND	12	N/C
4	TIP	13	N/C
5	N/C	14	N/C
6	ISDN CPE P	15	N/C
7	N/C	16	VDSL N
8	N/C	17	N/C
9	ISDN CPE N	18	VDSL P

©2003 Bel Fuse Inc. Specifications subject to change without notice. 05.20.03

### CORPORATE

**Bel Fuse Inc.**  
206 Van Vorst Street  
Jersey City, NJ 07302  
Tel 201-432-0463  
Fax 201-432-9542  
www.belfuse.com

### FAR EAST

**Bel Fuse Ltd.**  
8F / 8 Luk Hop Street  
San Po Kong  
Kowloon, Hong Kong  
Tel 852-2328-5515  
Fax 852-2352-3706  
www.belfuse.com

### EUROPE

**Bel Stewart Connector**  
45/46 Riverside  
Medway City Estate  
Rochester, Kent ME2 4DP U.K.  
Tel 44-1634-722890  
Fax 44-1634-716677  
www.belfuse.com