

Tous droits strictement réservés. Reproduction ou communication à des tiers interdite sous quelque forme que ce soit sans autorisation écrite du propriétaire. Propriété de FCI. Droits de reproduction FCI.

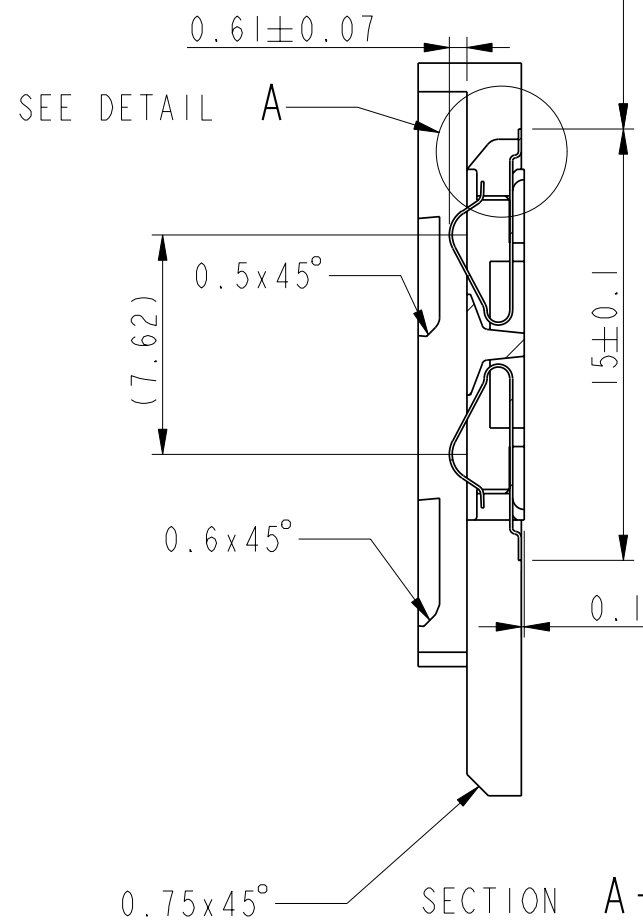
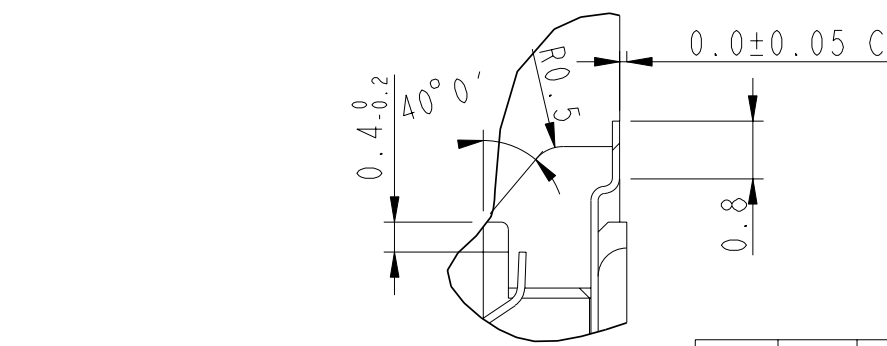
**FCI**

All rights strictly reserved. Reproduction or issue to third parties in any form whatever is not permitted without written authority from the proprietor. Property of FCI. Copyright FCI.

PART NUMBER  
7111S1615A01  
7111S1615A01LF ← LEAD FREE VERSION

DETAIL A  
SCALE 10:1

SCALE 3:1



LEAD FREE VERSION:

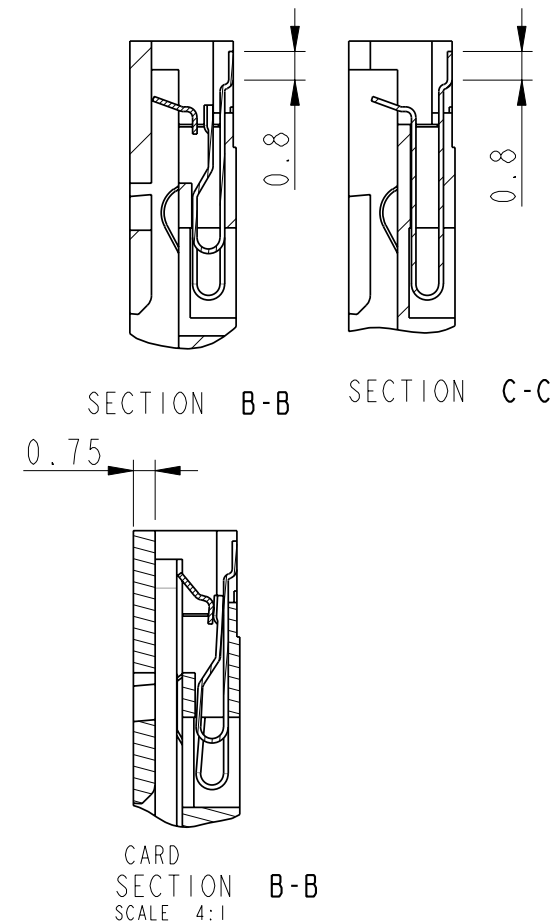
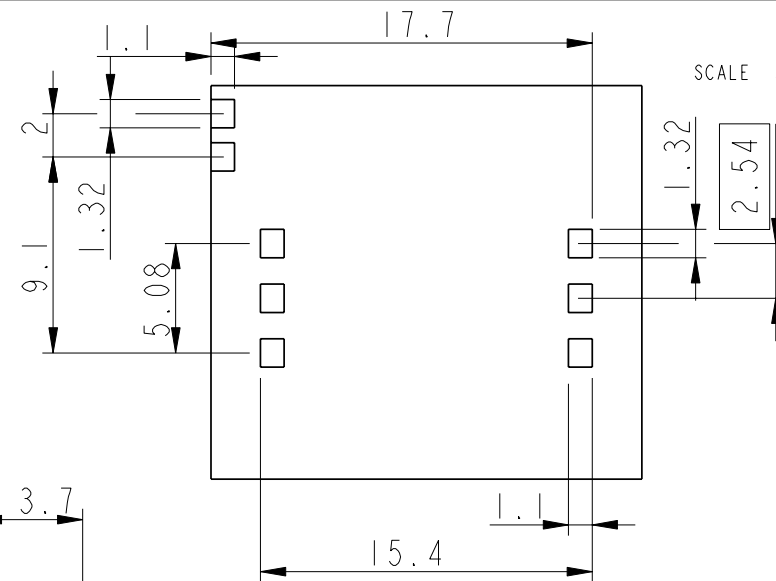
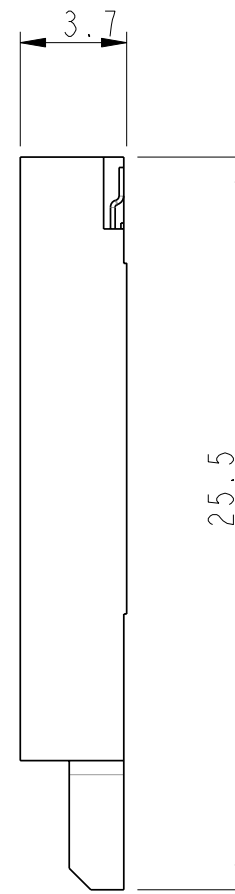
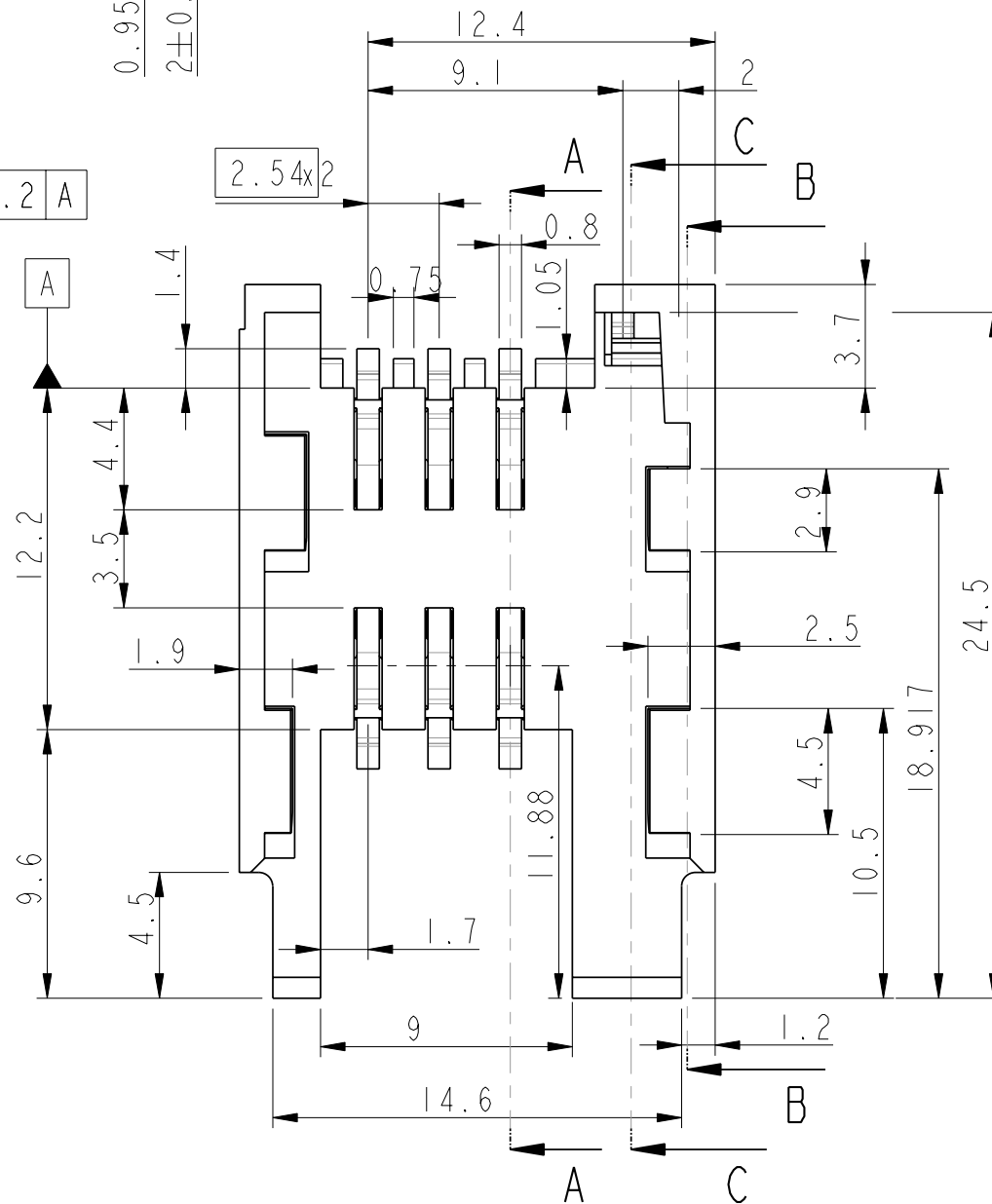
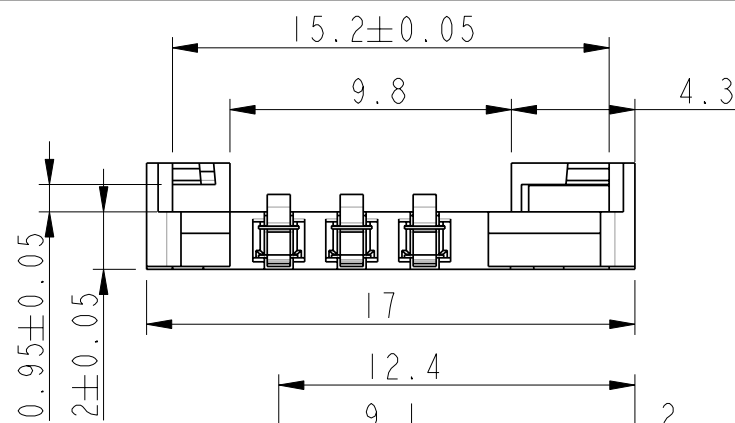
"This product meets European Union Directives and other country regulations as described in GS-22-008"

The housing will withstand exposure to 260°C peak temperature for 10 seconds in a convection reflow oven.

**PROCESSING**

Ni 2 micrometer  
Gold 2.5 micrometer  
Output: SnPb 2.5 micrometer (for leaded version)  
matte tin 2.5 micrometer (for lead free version)

'C' CRITICAL DIMENSION  
GENERAL TOLERANCES: ±0.1



DETAIL OF SWITCH

ltr	ecn no	dr	date
01	-	JBB	97-04-03
02	-	-	97-09-26
A	LS2025	MPE	02-05-04
B	105-0167	NT	05/09/23
C	105-0240	NT	05/11/19
-	-	-	-
-	-	-	-

<b>FCI</b> www.fciconnect.com		surface - ✓ ISO 1302	tolerance ISO 406 ISO 1101	projection mm
Dr	BERNARDET	98/09/02	Product family	MOBILE IO
Eng	ODIC	98/09/02	Spec ref	--
Chr	N.TWENCY	05/11/19	Material	SEE NOTES
Appr	N.TWENCY	05/11/19		
title SIM CARD CONNECTOR with switch			size A3	Scale 4:1
SMI6 series			ECN 105-0240	Rev. C
catalog no			SEE NOTES	CUSTOMER COPY
			sheet 1 of 1	