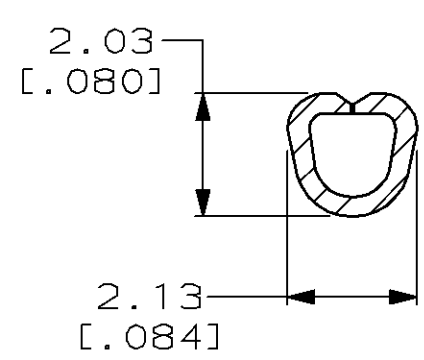
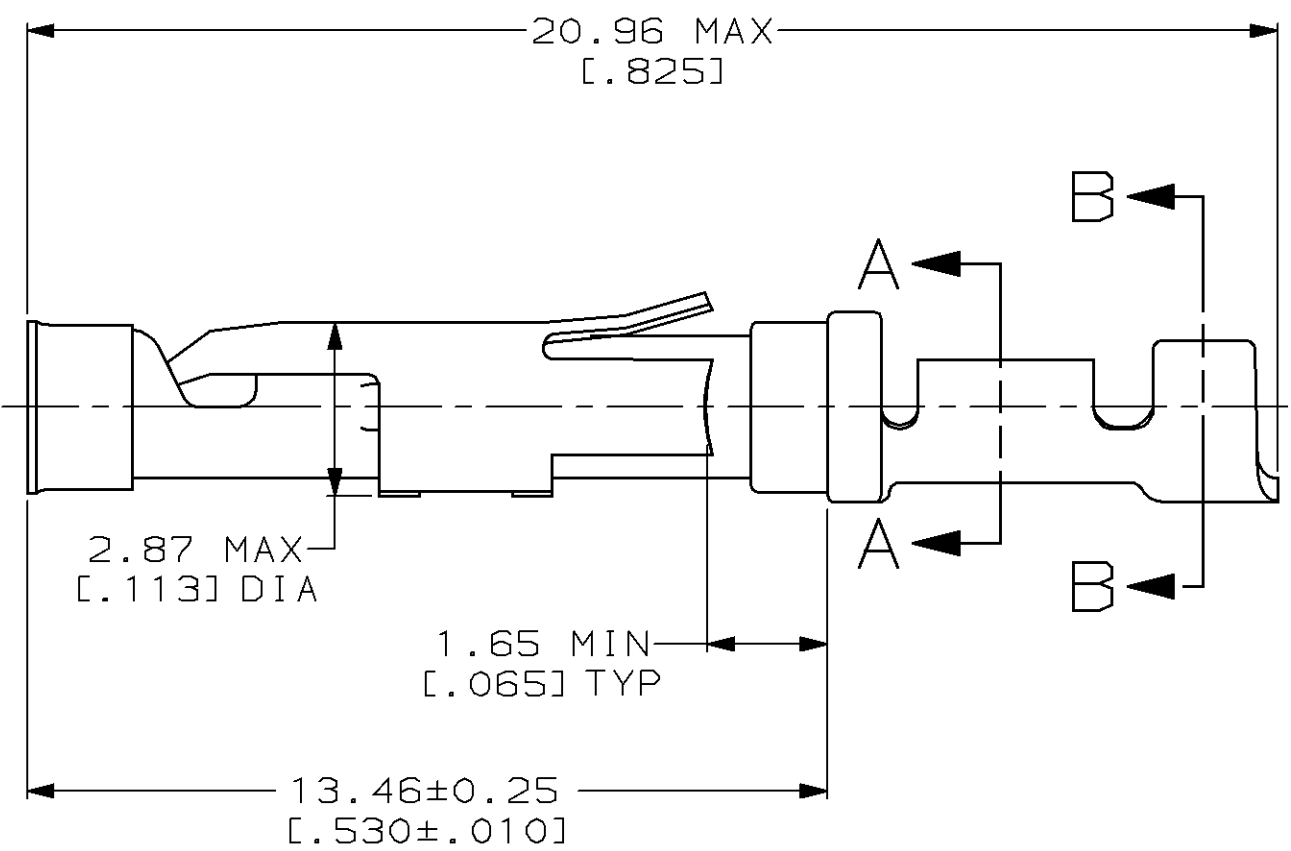
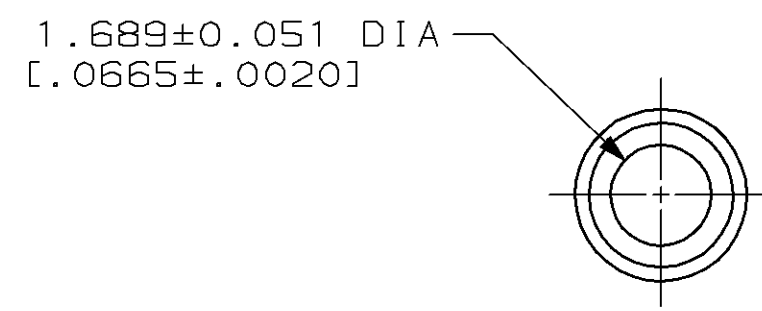
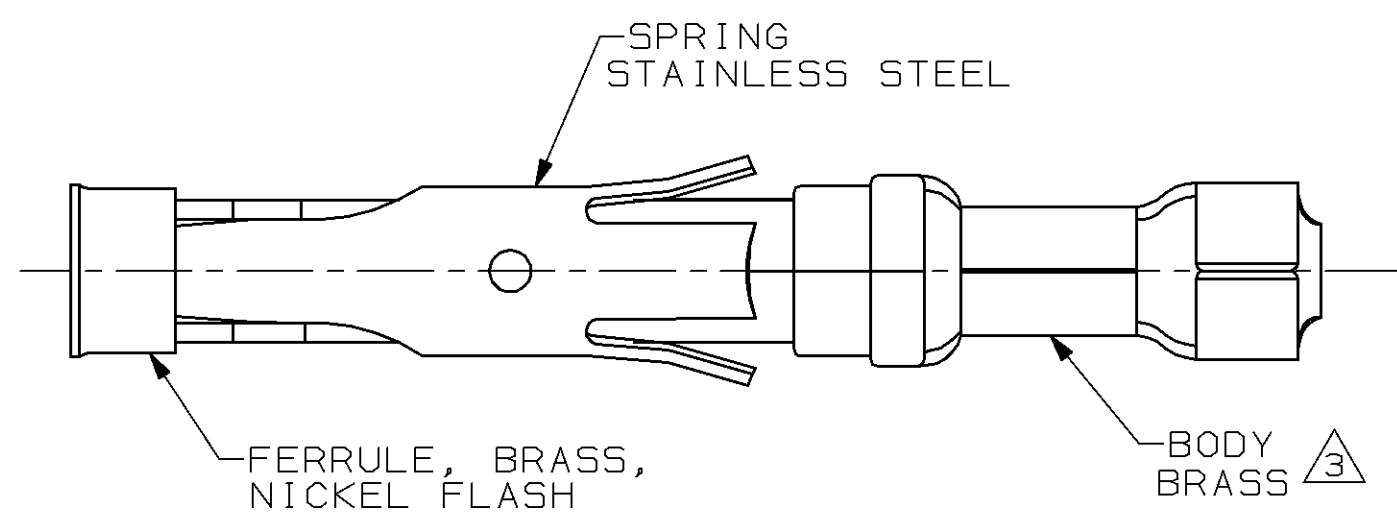
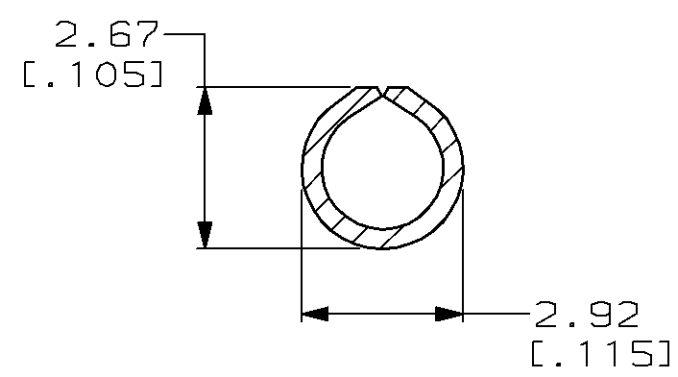


LOC	DIST	P	F	ZONE	LTR	DESCRIPTION	DATE	APPD
FT	47				E	REDRAWN & REV PER ECN BD3869	7-30-91	-
					F	ADDED -2 PER NPR 4692	04/15/93	GS
					G	REV PER EC 0320-137-97	7-29-97	PB

1. WIRE RANGE 26-20 AWG.
2. COLOR CODED YELLOW IN SPRING DIMPLE AREA.
3. 0.76µm [.000030] MIN GOLD PER MIL-G-45204 ON MATING END FOR A LENGTH OF 5.08 [.200] MIN WITH A UNIFORM GRADIENT TO 0.25µm [.000010] MIN GOLD PER MIL-G-45204 ON INSULATION SUPPORT BARREL OVER 0.76µm [.000030] MIN NICKEL PER QQ-N-290.



SECTION A-A



SECTION B-B

SMALL PACK	66183-2
STANDARD	66183-1
PACKAGING TYPE	PART NO

DO NOT SCALE PRINT. UNLESS SPECIFIED DIMENSIONS IN mm [INCHES] TOLERANCES ON: 2 PLC DEC ± 0.13 [.005] 3 PLC DEC ± - ANGLES ± -	DR 7-30-91 R.SHIREY	AMP Incorporated Harrisburg, PA 17105-3608		
	CHK 9-19-91 R.STONE			
MATERIAL SEE CALLOUTS	APPD 9-20-91 J.WESTMAN	NAME SOCKET ASSEMBLY, LOOSE PIECE, TYPE III+		
	APPD 9-23-91 W.PARKER			
FINISH SEE CALLOUTS	APPLICATION SPEC	SIZE C	CAGE CODE 00779	DRAWING NO 66183
	WEIGHT -	SCALE 8:1	SHEET 1 OF 1	