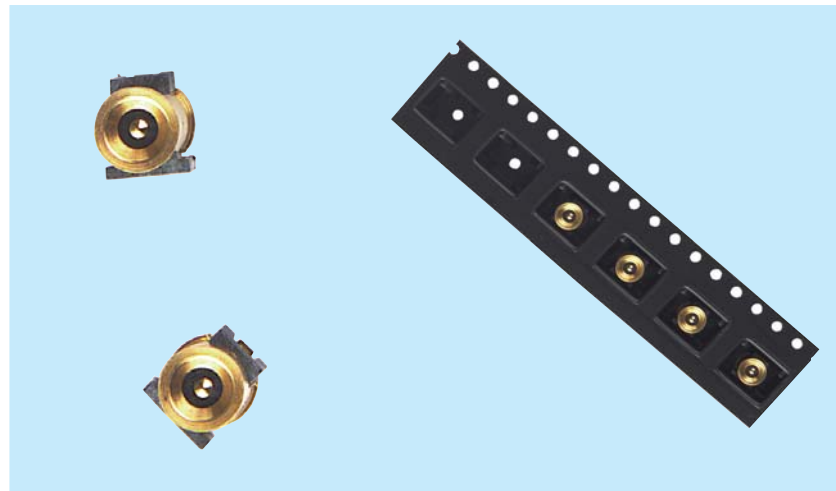


LPC CP1/CP2

This high function mobile phone connector uses a seal with a cold pin that acts as a membrane to prevent dust and water penetration as well as minimizing RF emissions in unmated conditions.

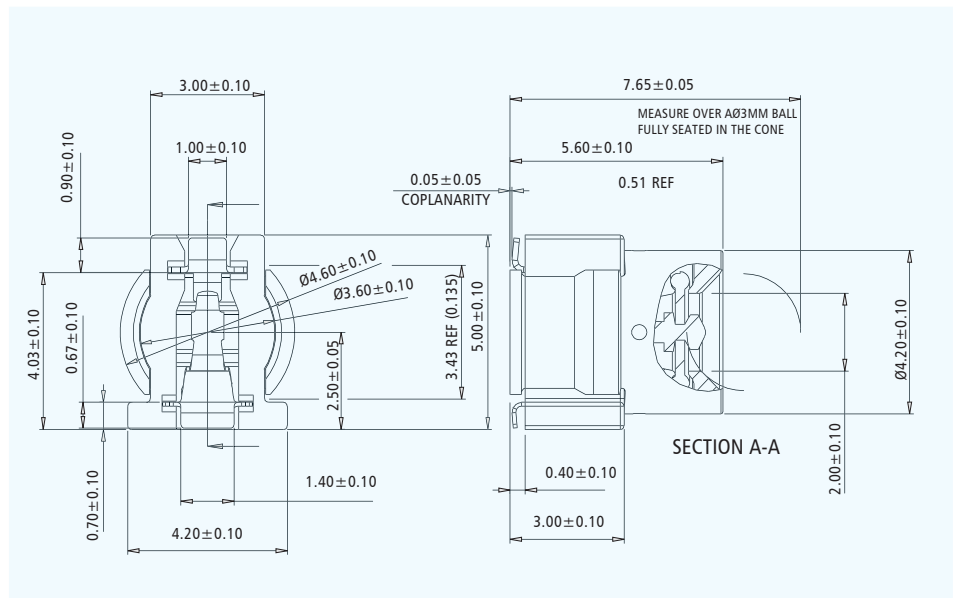
LPC CP1/CP2 is surface mountable with a low profile. It is manufactured both in Europe and Asia Pacific, 100% inspected and packed in tape and reel packaging.



Materials and Finishes

Shell	Brass, Gold Plated
Insulator	Black LPC
Moving Contact	Beryllium Copper, Gold plated
Fixed Contact	Brass, Gold plated
Cold Pin	Brass, Gold Plated
Gasket	Silicone Rubber

Part Number	Description
120220-0130	Switchable PCB Connector LPC CP1 - Ribbed
120220-0132	Switchable PCB Connector LPC CP2 - Ribless



LPC SP1

This waterproof connector is identical to the LPC CP1/CP2, but it features a special seal which allows it to be IP67 compliant (1 metre of water).

Part Number	Description
120220-0143	Switchable PCB Connector

