



512Kx32 SRAM MULTI-CHIP PACKAGE

FEATURES

- Access Times of 12, 15, 17, 20, ns
- Packaging
 - 16mm x 18mm, 143 PBGA
- Organized as 512Kx32, User Configurable as 1Mx16 or 2Mx8
- Commercial, Industrial and Military Temperature Ranges
- TTL Compatible Inputs and Outputs
- 5V Power Supply
- Low Power CMOS

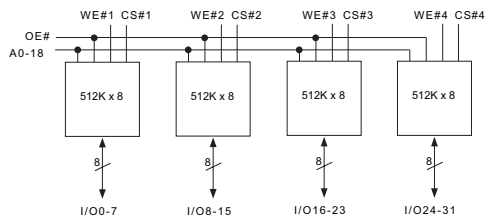
This product is subject to change without notice.

PIN CONFIGURATION FOR WEDPS512K32-XBX

TOP VIEW

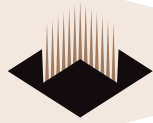
	1	2	3	4	5	6	7	8	9	10	11	12
A	-	A2	A1	A0	GND	GND	Vcc	Vcc	A18	A17	A16	GND
B	CS#2	A3	A4	D14	D15	NC	CS#4	D24	D25	OE#	A15	NC
C	D9	D8	NC	D12	D13	GND	Vcc	D26	D27	WE#4	D31	D30
D	D10	D11	GND	GND	GND	GND	Vcc	Vcc	Vcc	Vcc	D28	D29
E	WE#2	GND	GND	GND	GND	GND	Vcc	Vcc	Vcc	Vcc	Vcc	NC
F	GND	GND	GND	GND	GND	GND	Vcc	Vcc	Vcc	Vcc	Vcc	Vcc
G	Vcc	Vcc	Vcc	Vcc	Vcc	Vcc	GND	GND	GND	GND	GND	GND
H	CS#1	Vcc	Vcc	Vcc	Vcc	Vcc	GND	GND	GND	GND	GND	NC
J	D1	D0	Vcc	Vcc	Vcc	Vcc	GND	GND	GND	GND	D23	D22
K	D2	D3	NC	D7	D5	Vcc	GND	D17	D16	CS#3	D20	D21
L	WE#1	A6	A5	D6	D4	NC	WE#3	D19	D18	A14	A13	NC
M	GND	A7	A8	A9	Vcc	Vcc	GND	GND	A10	A11	A12	Vcc

BLOCK DIAGRAM



PIN DESCRIPTION

I/O0-31	Data Inputs/Outputs
A0-18	Address Inputs
WE#1-4	Write Enables
CS#1-4	Chip Selects
OE#	Output Enable
VCC	Power Supply
GND	Ground
NC	Not Connected



ABSOLUTE MAXIMUM RATINGS

Parameter	Symbol	Min	Max	Unit
Operating Temperature	T _A	-55	+125	°C
Storage Temperature	T _{STG}	-65	+150	°C
Signal Voltage Relative to GND	V _G	-0.5	V _{CC} +0.5	V
Junction Temperature	T _J		150	°C
Supply Voltage	V _{CC}	-0.5	7.0	V

TRUTH TABLE

CS	OE	WE	Mode	Data I/O	Power
H	X	X	Standby	High Z	Standby
L	L	H	Read	Data Out	Active
L	H	H	Out Disable	High Z	Active
L	X	L	Write	Data In	Active

RECOMMENDED OPERATING CONDITIONS

Parameter	Symbol	Min	Max	Unit
Supply Voltage	V _{CC}	4.5	5.5	V
Input High Voltage	V _{IH}	2.2	V _{CC} + 0.3	V
Input Low Voltage	V _{IL}	-0.5	+0.8	V
Operating Temp (Mil)	T _A	-55	+125	°C

BGA THERMAL RESISTANCE

Description	Symbol	Max	Unit	Notes
Junction to Ambient (No Airflow)	Theta JA	16.5	°C/W	1
Junction to Ball	Theta JB	11.3	°C/W	1
Junction to Case (Top)	Theta JC	9.8	°C/W	1

NOTE: Refer to Application Note "PBGA Thermal Resistance Correlation" at www.whiteedc.com in the application notes section for modeling conditions.

CAPACITANCE

(T_A = +25°C)

Parameter	Symbol	Conditions	Max	Unit
OE# capacitance	C _{OE}	V _{IN} = 0 V, f = 1.0 MHz	30	pF
WE#1-4 capacitance	C _{WE}	V _{IN} = 0 V, f = 1.0 MHz	10	pF
CS#1-4 capacitance	C _{CS}	V _{IN} = 0 V, f = 1.0 MHz	10	pF
Data I/O capacitance	C _{I/O}	V _{I/O} = 0 V, f = 1.0 MHz	10	pF
Address input capacitance	C _{AD}	V _{IN} = 0 V, f = 1.0 MHz	30	pF

This parameter is guaranteed by design but not tested.

DC CHARACTERISTICS

(V_{CC} = 5.0V, V_{SS} = 0V, T_A = -55°C to +125°C)

Parameter	Symbol	Conditions	Min	Max	Units
Input Leakage Current	I _{LI}	V _{CC} = 5.5, V _{IN} = GND to V _{CC}		10	μA
Output Leakage Current	I _{LO}	CS# = V _{IH} , OE# = V _{IH} , V _{OUT} = GND to V _{CC}		10	μA
Operating Supply Current x 32 Mode	I _{CC} x 32	CS# = V _{IL} , OE# = V _{IH} , f = 5MHz, V _{CC} = 5.5		660	mA
Standby Current	I _{SB}	CS# = V _{IH} , OE# = V _{IH} , f = 5MHz, V _{CC} = 5.5		80	mA
Output Low Voltage	V _{OL}	I _{OL} = 8mA		0.4	V
Output High Voltage	V _{OH}	I _{OH} = -4.0mA	2.4		V

NOTE: DC test conditions: V_{IH} = V_{CC} - 0.3V, V_{IL} = 0.3V



AC CHARACTERISTICS

(V_{CC} = 5.0V, V_{SS} = 0V, T_A = -55°C to +125°C)

Parameter	Symbol	-12		-15		-17		-20		Units
		Min	Max	Min	Max	Min	Max	Min	Max	
Read Cycle										
Read Cycle Time	t _{RC}	12		15		17		20		ns
Address Access Time	t _{AA}		12		15		17		20	ns
Output Hold from Address Change	t _{OH}	0		0		0		0		ns
Chip Select Access Time	t _{ACS}		12		15		17		20	ns
Output Enable to Output Valid	t _{OE}		7		8		9		10	ns
Chip Select to Output in Low Z	t _{CLZ} ¹	1		2		2		2		ns
Output Enable to Output in Low Z	t _{OLZ} ¹	0		0		0		0		ns
Chip Disable to Output in High Z	t _{CHZ} ¹		7		12		12		12	ns
Output Disable to Output in High Z	t _{OHZ} ¹		7		12		12		12	ns

1. This parameter is guaranteed by design but not tested.

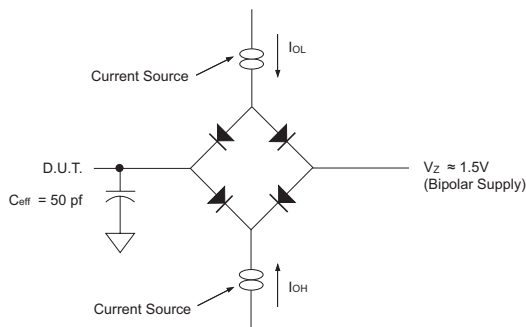
AC CHARACTERISTICS

(V_{CC} = 5.0V, V_{SS} = 0V, T_A = -55°C to +125°C)

Parameter	Symbol	-12		-15		-17		-20		Units
		Min	Max	Min	Max	Min	Max	Min	Max	
Write Cycle										
Write Cycle Time	t _{WC}	12		15		17		20		ns
Chip Select to End of Write	t _{CW}	10		13		15		15		ns
Address Valid to End of Write	t _{AW}	10		13		15		15		ns
Data Valid to End of Write	t _{DW}	8		10		11		12		ns
Write Pulse Width	t _{WP}	10		13		15		15		ns
Address Setup Time	t _{AS}	0		2		2		2		ns
Address Hold Time	t _{AH}	0		0		0		0		ns
Output Active from End of Write	t _{OW1}	2		2		2		3		ns
Write Enable to Output in High Z	t _{WHZ} ¹		7		8		9		11	ns
Data Hold Time	t _{DH}	0		0		0		0		

1. This parameter is guaranteed by design but not tested.

AC TEST CIRCUIT

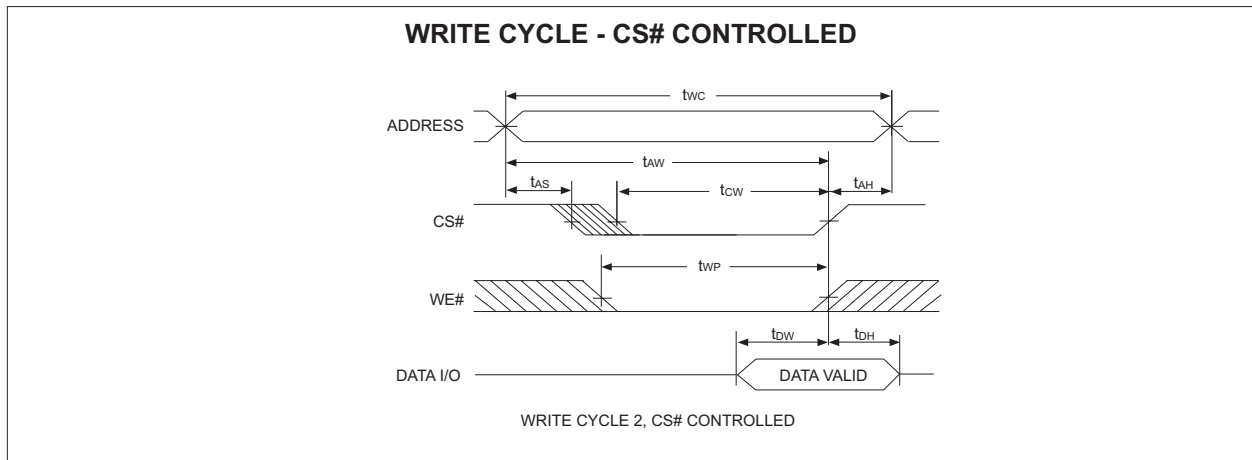
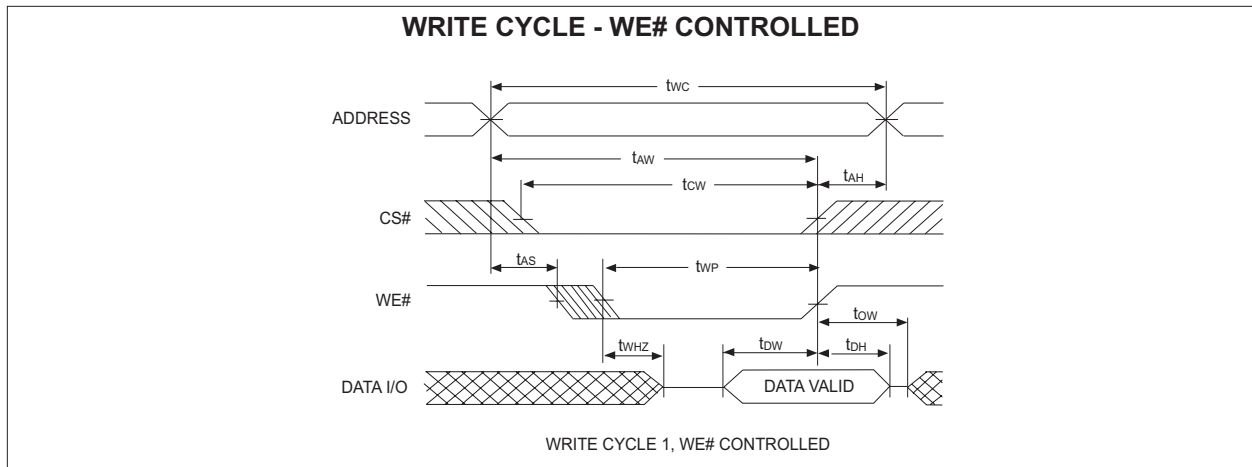
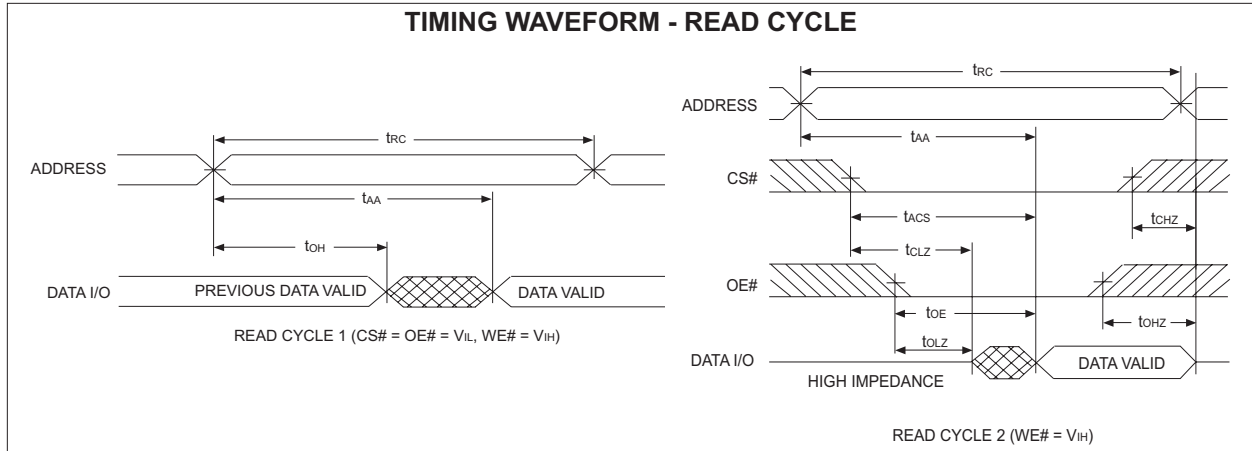
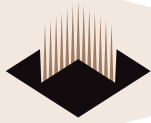


AC TEST CONDITIONS

Parameter	Typ	Unit
Input Pulse Levels	V _{IL} = 0, V _{IH} = 3.0	V
Input Rise and Fall	5	ns
Input and Output Reference Level	1.5	V
Output Timing Reference Level	1.5	V

Notes:

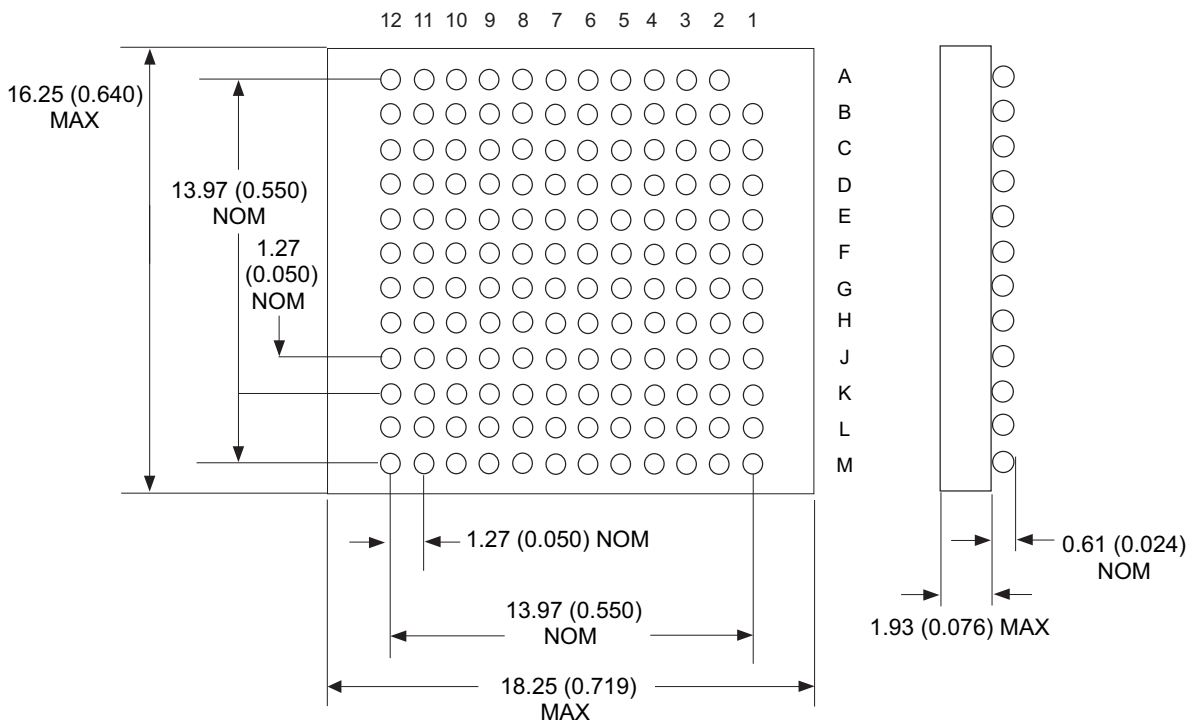
V_Z is programmable from -2V to +7V.
 I_{OL} & I_{OH} programmable from 0 to 16mA.
 Tester Impedance Z₀ = 75 Ω.
 V_Z is typically the midpoint of V_{OH} and V_{OL}.
 I_{OL} & I_{OH} are adjusted to simulate a typical resistive load circuit.
 ATE tester includes jig capacitance.





PACKAGE 7043: 143 BALL GRID ARRAY

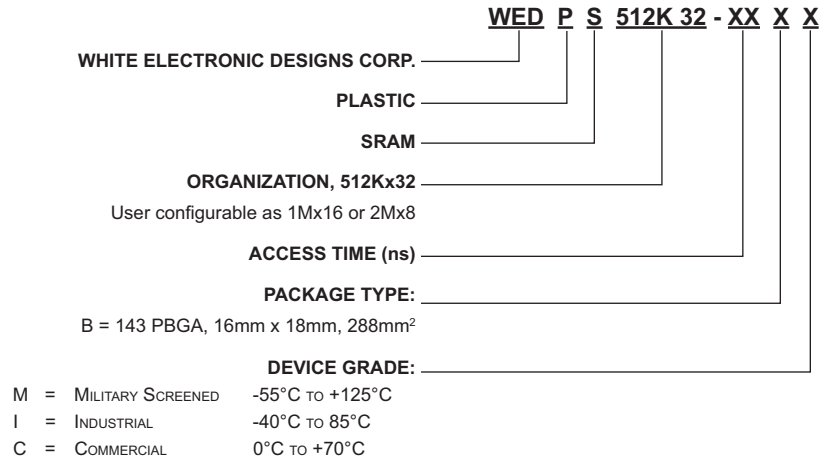
BOTTOM VIEW



ALL LINEAR DIMENSIONS ARE MILLIMETERS AND PARENTHETICALLY IN INCHES



ORDERING INFORMATION





Document Title			
512K x 32 SRAM Multi-Chip Package			
Revision History			
Rev #	History	ReleaseDate	Status
Rev 0	Initial Release	March 2002	Advanced
Rev 1	Switch Rows and Columns header position (Pg. 1)	March 2002	Advanced
Rev 2	Switch Rows and Columns header position (Pg. 1)	May 2002	Advanced
Rev 3	Change mechanical outline to more accurate design (Pg. 1, 5)	May 2002	Advanced
Rev 4	Remove references to 25-55ns speed grades (Pg. 1, 2, 3)	August 2002	Advanced
Rev 5	Changes (Pg. 1, 2) 1.1 Add Thermal Resistance Table 1.2 Change product status to Final	January 2003	Final
Rev 6	Changes (Pg. 1, 5, 7) 1.1 Change package body height to 1.93mm Max 1.2 Add ball pitch (1.27mm) to package dimension	November 2003	Final