



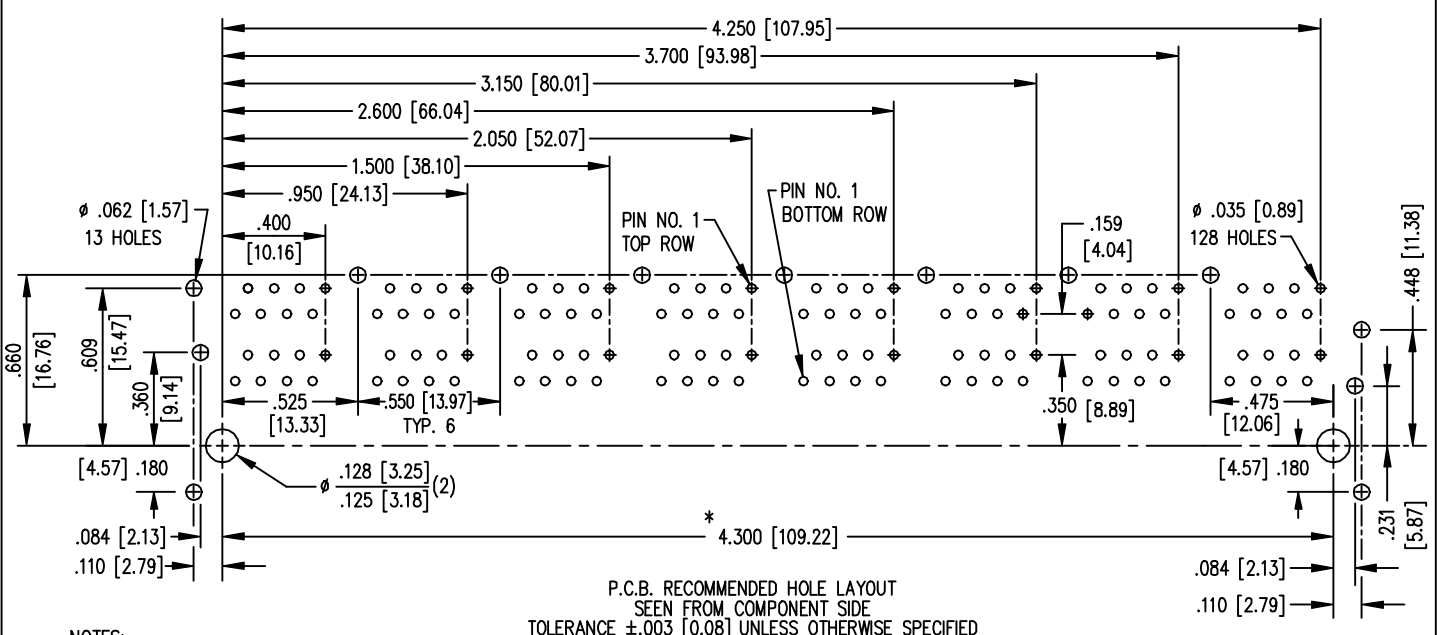
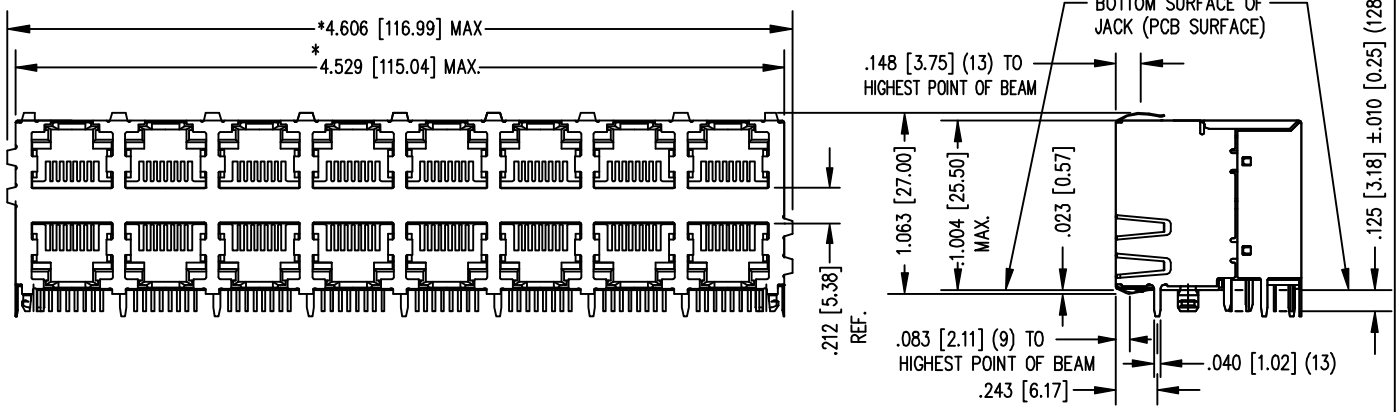
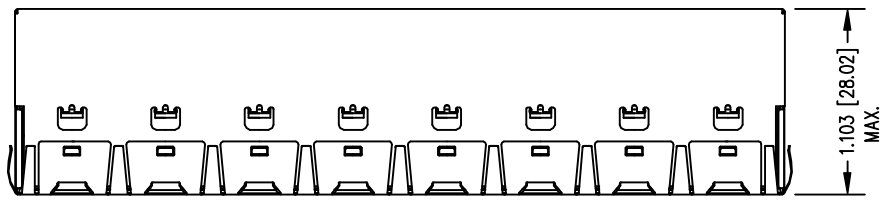
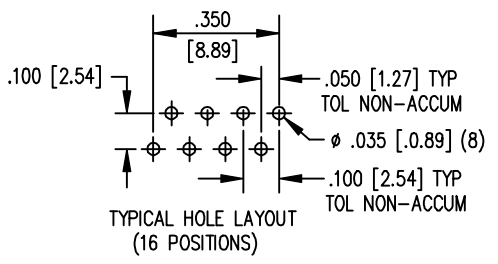
Stewart Connector Systems, Inc.
Insilco Technologies Group
 11118 Susquehanna Trail South
 Glen Rock, PA 17327-9199
 (717) 235-7512 Fax: (717) 235-7954

REV.	REVISION CHANGES
X0	AS DRAWN
A0	PRODUCT BASELINE
A1	CORRECTED SOLDER TAIL LOCATION

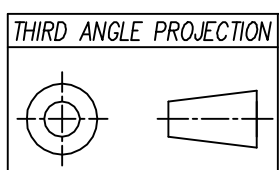
FOR REFERENCE ONLY

PART NO. SS-73100-039

CATEGORY 3 SHIELDED STACK JACK
 EIGHT CONTACT, EIGHT POSITION
 50 MICRO INCHES GOLD
 16 PORTS (8 ON 8)



- NOTES:
- TOLERANCES COMPLY WITH F.C.C. DIMENSION REQUIREMENTS.
 - DIMENSIONS SHOWN WITH "*" TO BE CENTRAL ABOUT CENTER LINE.
 - DIMENSIONS SHOWN ARE SUBJECT TO CHANGE WITHOUT NOTICE.



THIS DRAWING AND THE SUBJECT MATTER SHOWN THEREON ARE CONFIDENTIAL AND THE PROPRIETARY PROPERTY OF STEWART CONNECTOR SYSTEMS ("SCS") AND SHALL NOT BE REPRODUCED, COPIED OR USED IN ANY MANNER WITHOUT PRIOR WRITTEN CONSENT OF "SCS". THE SUBJECT MATTER MAY BE PATENTED OR A PATENT MAY BE PENDING. © SCS

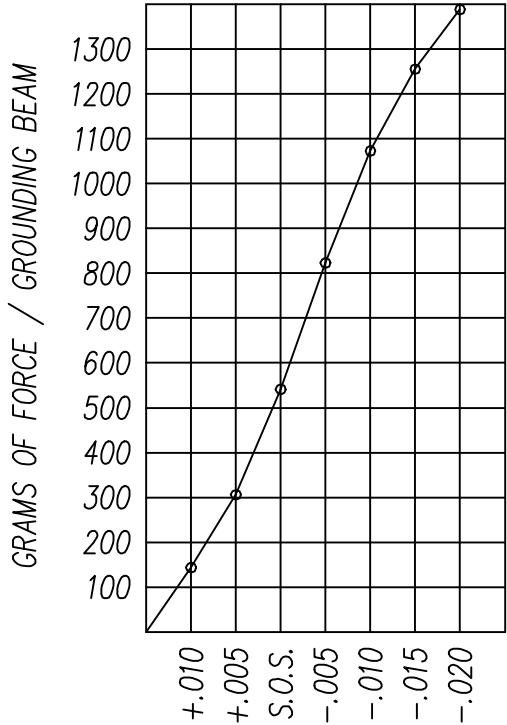


Stewart Connector Systems, Inc.
 Insilco Technologies Group
 11118 Susquehanna Trail South
 Glen Rock, PA 17327-9199
 (717) 235-7512 Fax: (717) 235-7954

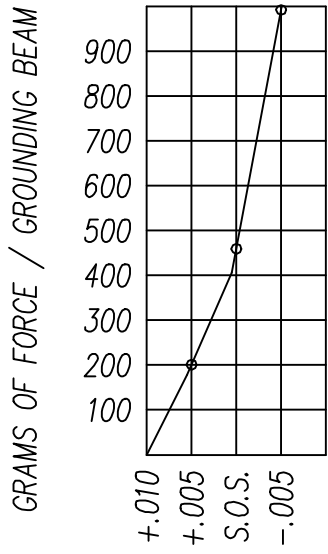
REV.	REVISION CHANGES
X0	AS DRAWN
A0	PRODUCT BASELINE
A1	CORRECTED SOLDER TAIL LOCATION

PART NO. SS-73100-039

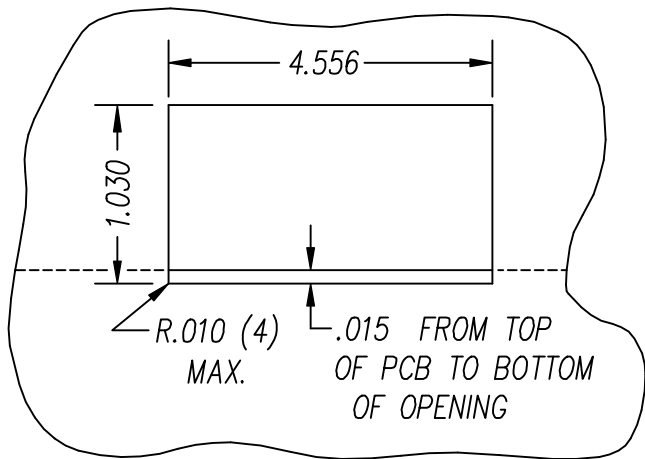
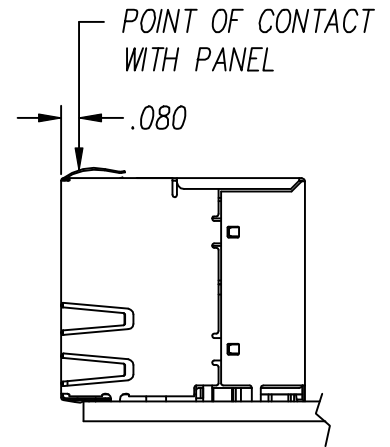
FOR REFERENCE ONLY



PANEL GROUNDING BEAM DEFLECTION
 TOP AND SIDE BEAMS
 S.O.S. = SUGGESTED OPENING SIZE



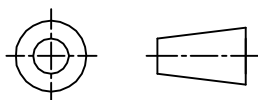
PANEL GROUNDING BEAM DEFLECTION
 BOTTOM BEAMS ONLY
 S.O.S. = SUGGESTED OPENING SIZE



SUGGESTED PANEL OPENING
 (N.T.S.)

THE SUGGESTED PANEL OPENING IS INTENDED TO GIVE THE USER THE ABILITY TO HAVE REASONABLE JACK / PANEL CLEARANCES YET MAINTAIN RELIABLE GROUNDING CAPABILITY. THESE VARIABLES CAN BE ADJUSTED IN EITHER DIRECTION BUT MAY CARRY SOME CONSEQUENCES IN THE FORM OF LOWER MATING FORCES OR TIGHTER ASSEMBLY TOLERANCES. FORCE VALUES ON THE GRAPH(S) ARE GENERAL AVERAGES TAKEN AT A POINT OF CONTACT SHOWN ABOVE. THE SUGGESTED PANEL OPENING INCLUDES APPROXIMATELY .020 CLEARANCE ON THE TOP AND SIDES, WITH .015 CLEARANCE ON THE BOTTOM.

THIRD ANGLE PROJECTION



THIS DRAWING AND THE SUBJECT MATTER SHOWN THEREON ARE CONFIDENTIAL AND THE PROPRIETARY PROPERTY OF STEWART CONNECTOR SYSTEMS ("SCS") AND SHALL NOT BE REPRODUCED, COPIED OR USED IN ANY MANNER WITHOUT PRIOR WRITTEN CONSENT OF "SCS". THE SUBJECT MATTER MAY BE PATENTED OR A PATENT MAY BE PENDING. © SCS