



# LB11948T — Monolithic Digital IC

## PWM Constant Current Control 1-2 Phase Excitation Stepping Motor Driver

### Overview

The LB11948T is a low saturation voltage output PWM current control bipolar drive stepping motor driver. It is optimal for use as the driver for the miniature low-voltage stepping motors used in portable electronic equipment such as portable thermal printers.

### Features

- PWM current control (external excitation)
- Simultaneous on state prevention function (through current prevention)
- Thermal shutdown circuit
- Noise canceller function
- Low-power mode control pin

### Specifications

#### Maximum Ratings at $T_a = 25^\circ\text{C}$

Parameter	Symbol	Conditions	Ratings	Unit
VS supply voltage	VS		-0.3 to +18	V
Logic system supply voltage	V <sub>CC</sub>		-0.3 to +18	V
Peak output current	I <sub>Opeak</sub>	t <sub>W</sub> ≤ 20 μS	0.5	A
Continuous output current	I <sub>Omax</sub>		0.4	A
Emitter output voltage	VE		1.0	V
Input voltage	VIN		-0.3 to V <sub>CC</sub>	V
Allowable power dissipation	P <sub>dmax</sub>	Mounted on the specified PCB*	1.2	W
Operating temperature	T <sub>opg</sub>		-20 to +85	°C
Storage temperature	T <sub>stg</sub>		-40 to +150	°C

Note \*: Specified PCB: 114.3 × 76.1 × 1.6 mm

#### Recommended Operating Conditions at $T_a = 25^\circ\text{C}$

Parameter	Symbol	Conditions	Ratings	Unit
VS supply voltage	VS		3.0 to 15	V
V <sub>CC</sub> supply voltage	V <sub>CC</sub>		3.0 to 15	V
Reference voltage	V <sub>REF</sub>		0.0 to 0.5	V

■ Any and all SANYO Semiconductor products described or contained herein do not have specifications that can handle applications that require extremely high levels of reliability, such as life-support systems, aircraft's control systems, or other applications whose failure can be reasonably expected to result in serious physical and/or material damage. Consult with your SANYO Semiconductor representative nearest you before using any SANYO Semiconductor products described or contained herein in such applications.

■ SANYO Semiconductor assumes no responsibility for equipment failures that result from using products at values that exceed, even momentarily, rated values (such as maximum ratings, operating condition ranges, or other parameters) listed in products specifications of any and all SANYO Semiconductor products described or contained herein.

# LB11948T

## Electrical Characteristics at $T_a = 25^\circ\text{C}$ , $V_S = V_{CC} = 5\text{ V}$ , $V_{REF} = 0.3\text{ V}$

Parameter	Symbol	Conditions	Ratings			Unit
			min	typ	max	
[Output Block]						
$V_S$ system supply current	$I_{VS}$ OFF	PH1 = PH2 = 0 V, EN1 = EN2 = 3.0 V ST = 3.0 V			5	$\mu\text{A}$
	$I_{VS}$ ON	PH1 = PH2 = EN1 = EN2 = 0 V ST = 3.0 V	28	40	52	mA
	$I_{VS}$ wt	PH1 = PH2 = EN1 = EN2 = ST = 0 V			1	$\mu\text{A}$
Output saturation voltage 1	$V_{O(\text{sat})}$ 1	$I_O = +0.2\text{A}$ (source)		0.2	0.4	V
Output saturation voltage 2	$V_{O(\text{sat})}$ 2	$I_O = +0.4\text{A}$ (source)		0.3	0.5	V
Output saturation voltage 3	$V_{O(\text{sat})}$ 3	$I_O = -0.2\text{A}$ (sink)		0.2	0.4	V
Output saturation voltage 4	$V_{O(\text{sat})}$ 4	$I_O = -0.4\text{A}$ (sink)		0.3	0.5	V
Output leakage current	$I_{O1}$ (leak)	$V_O = V_{BB}$ (sink)			50	$\mu\text{A}$
	$I_{O2}$ (leak)	$V_O = 0\text{ V}$ (source)	-50			$\mu\text{A}$
Upper and lower side output diodes						
Forward voltage 1 (upper side)	VF1	$I = 400\text{ mA}$	0.9	1.1	1.3	V
Forward voltage 2 (lower side)	VF2	$I = 400\text{ mA}$	0.9	1.1	1.3	V
[Logic Block]						
$V_{CC}$ system supply current	$I_{CC}$ OFF	PH1 = PH2 = 0 V, EN1 = EN2 = 3.0 V ST = 3.0 V	6.5	10	13.5	mA
	$I_{CC}$ ON	PH1 = PH2 = EN1 = EN2 = 0 V ST = 3.0 V	7	11	15	mA
	$I_{CC}$ wt	PH1 = PH2 = EN1 = EN2 = ST = 0 V			1	$\mu\text{A}$
Input voltage	$V_I$ on		2.0			V
	$V_I$ off				0.8	V
Input current	$I_{IN}$	$V_{IN} = 5\text{ V}$	70	100	130	$\mu\text{A}$
Reference voltage: 1 V	V1V	$I_O = 1\text{ mA}$	0.95	1	1.05	V
Current setting reactive current	IE		-22	-17	-10.5	mA
Reference current	IREF	$V_{REF} = 0.3\text{ V}$ , $V_E = 0.3\text{ V}$	-1			$\mu\text{A}$
CR pin current 1	ICR1	CR = 0.5 V	-2			$\mu\text{A}$
CR pin current 2	ICR2	CR = 3 V	1.65	2.2	2.75	mA
Sense voltage 1	VSEN1	$V_{REF} = 0.5\text{ V}$	0.475	0.5	0.525	V
Thermal shutdown temperature *	TS	*		170		$^\circ\text{C}$

Note \*: Design guarantee value

## Truth Table

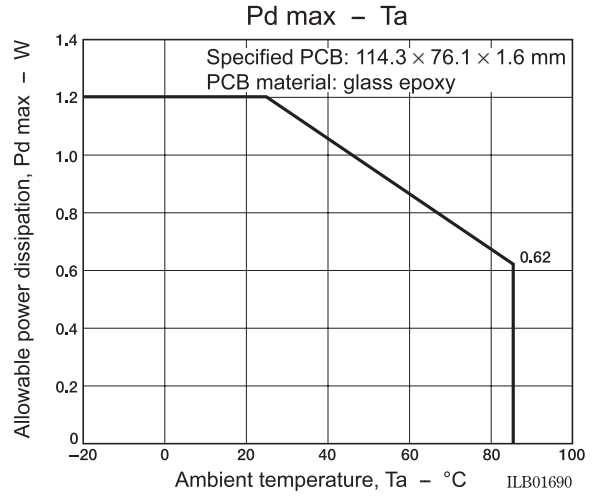
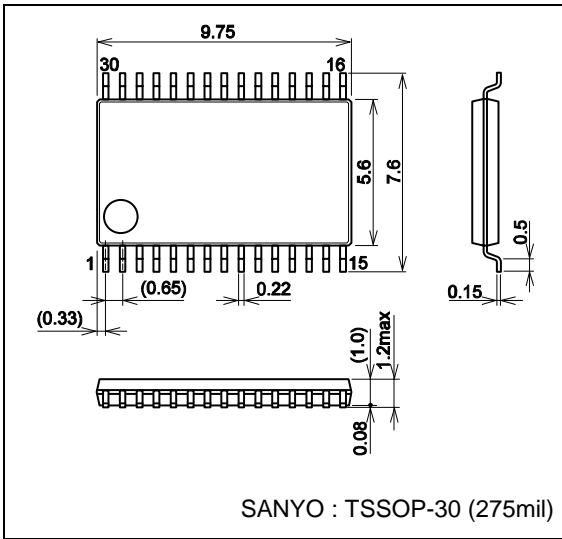
Input	Channel 1				Channel 2			
	Input		Output		Input		Output	
ST	PHASE1	ENABLE1	OUTA-	OUTA	PHASE2	ENABLE2	OUTB-	OUTB
H	L	L	H	L	L	L	H	L
H	H	L	L	H	H	L	L	H
H	*	H	OFF	OFF	*	H	OFF	OFF
L	*	*	OFF	OFF	*	*	OFF	OFF

Note \*: Levels shown as an asterisk (\*) can be set to be either high or low.

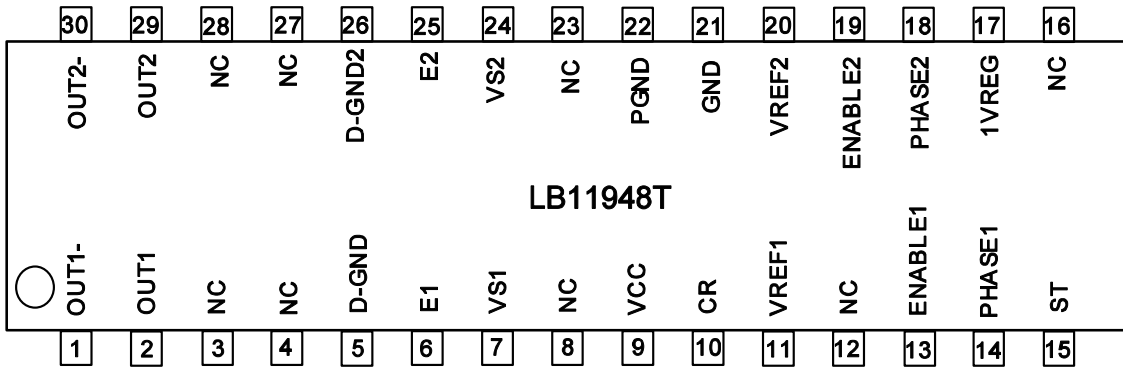
# LB11948T

## Package Dimensions

unit: mm  
3259



## Pin Assignment



Top view

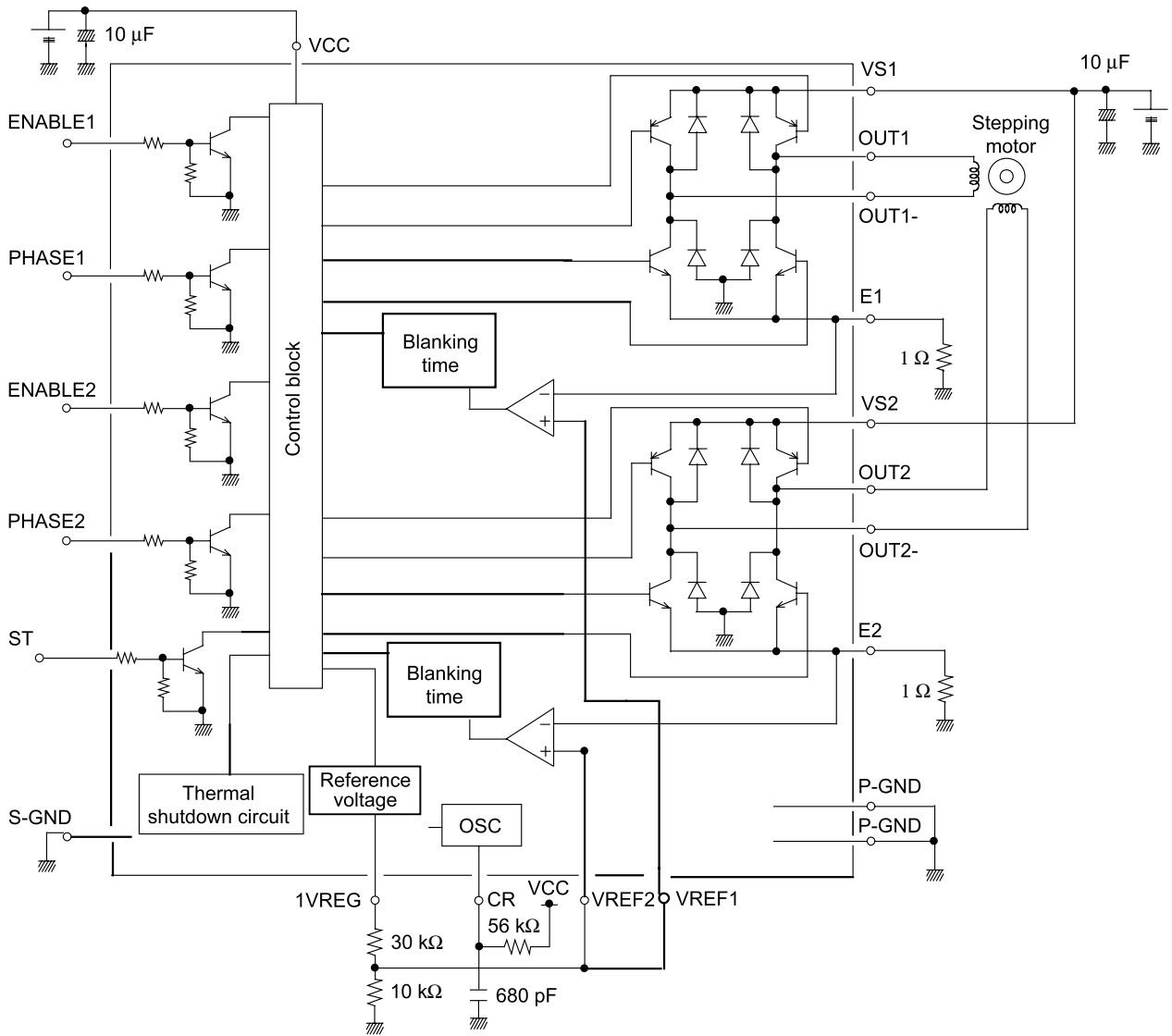
## LB11948T

### Pin Functions

Pin No.	Symbol	Functional descriptions
1	OUT1-	Output
2	OUT1	Output
3	NC	Unused
4	NC	Unused
5	D-GND	Lower side internal diode anode connection
6	E1	Constant current control sensing The motor current is set by the value of the sensing resistor $R_e$ connected between the E1 pin and ground. The current is set according to the following equation: $I_O = V_{REF}/R_e$ (A)
7	VS1	VS power supply
8	NC	Unused
9	V <sub>CC</sub>	V <sub>CC</sub> power supply
10	CR	RC oscillator connection
11	VREF1	Current setting system reference voltage input VREF1 voltage range: 0 to 0.5 V
12	NC	Unused
13	ENABLE1	Logic level input The output is turned off when ENABLE1 is low, and the outputs are turned on (operating state) when ENABLE2 is high.
14	PHASE1	Logic level input: phase switching When PHASE1 = high: Output pin states: OUTA: high, OUTA-: low. When PHASE1 = low: Output pin states: OUTA: low, OUTA-: high.
15	ST	Standby mode setting When ST = high: the IC operates in normal operating mode. When ST = low: the IC operates in standby mode. The V <sub>S</sub> and V <sub>CC</sub> current drain levels are under 1 μA in this mode.
16	NC	Unused
17	1VREG	1 V regulator circuit output The LB11948 includes an internal 1 V regulator circuit, and this pin is the output from that circuit. The VREF1 and VREF2 reference voltages can be set by voltage dividing the 1 V regulator output.
18	PHASE2	Logic level input: phase switching When PHASE2 = high: Output pin states: OUTA: high, OUTA-: low. When PHASE2 = low: Output pin states: OUTA: low, OUTA-: high.
19	ENABLE2	Logic level input The output is turned off when ENABLE1 is low, and the outputs are turned on (operating state) when ENABLE2 is high.
20	VREF2	Current setting reference voltage input VREF2 voltage range: 0 to 0.5 V
21	GND	Ground (small signal circuit system ground)
22	PGND	Power system ground (high current circuit system ground)
23	NC	Unused
24	VS2	VS power supply
25	E2	Constant current control sensing The motor current is set by the value of the sensing resistor $R_e$ connected between the E2 pin and ground. The current is set according to the following equation: $I_O = V_{REF}/R_e$ (A)
26	D-GND	Lower side internal diode anode connection
27	NC	Unused
28	NC	Unused
29	OUT2	Output
30	OUT2-	Output

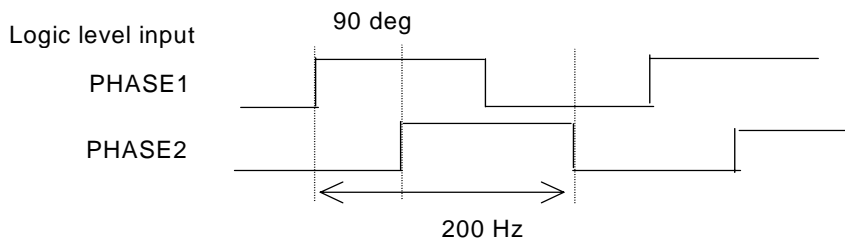
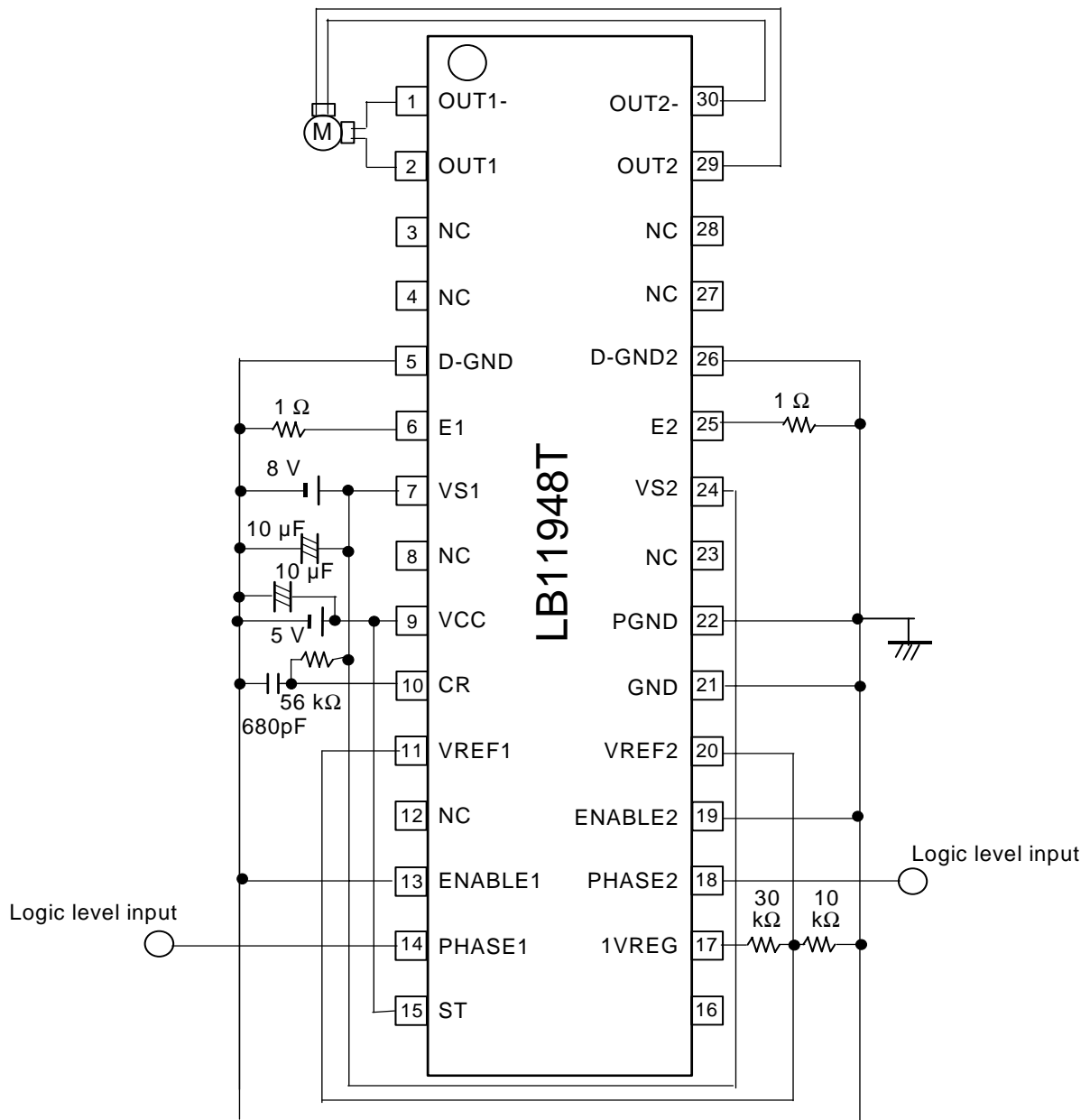
# LB11948T

## Block Diagram



# LB11948T

## Sample Application Circuit



**Drive Sequence Table**  
**2 Phase Excitation Drive Sequence**

Table 1 Clockwise drive

No.	PHASE1	ENABLE1	OUT1	OUT1-	PHASE2	ENABLE2	OUT2	OUT2-
0	0	0	0	1	0	0	0	1
1	1	0	1	0	0	0	0	1
2	1	0	1	0	1	0	1	0
3	0	0	0	1	1	0	1	0

Table 2 Counterclockwise drive

No.	PHASE1	ENABLE1	OUT1	OUT1-	PHASE2	ENABLE2	OUT2	OUT2-
0	0	0	0	1	1	0	1	0
1	1	0	1	0	1	0	1	0
2	1	0	1	0	0	0	0	1
3	0	0	0	1	0	0	0	1

**1-2 Phase Excitation Drive Sequence**

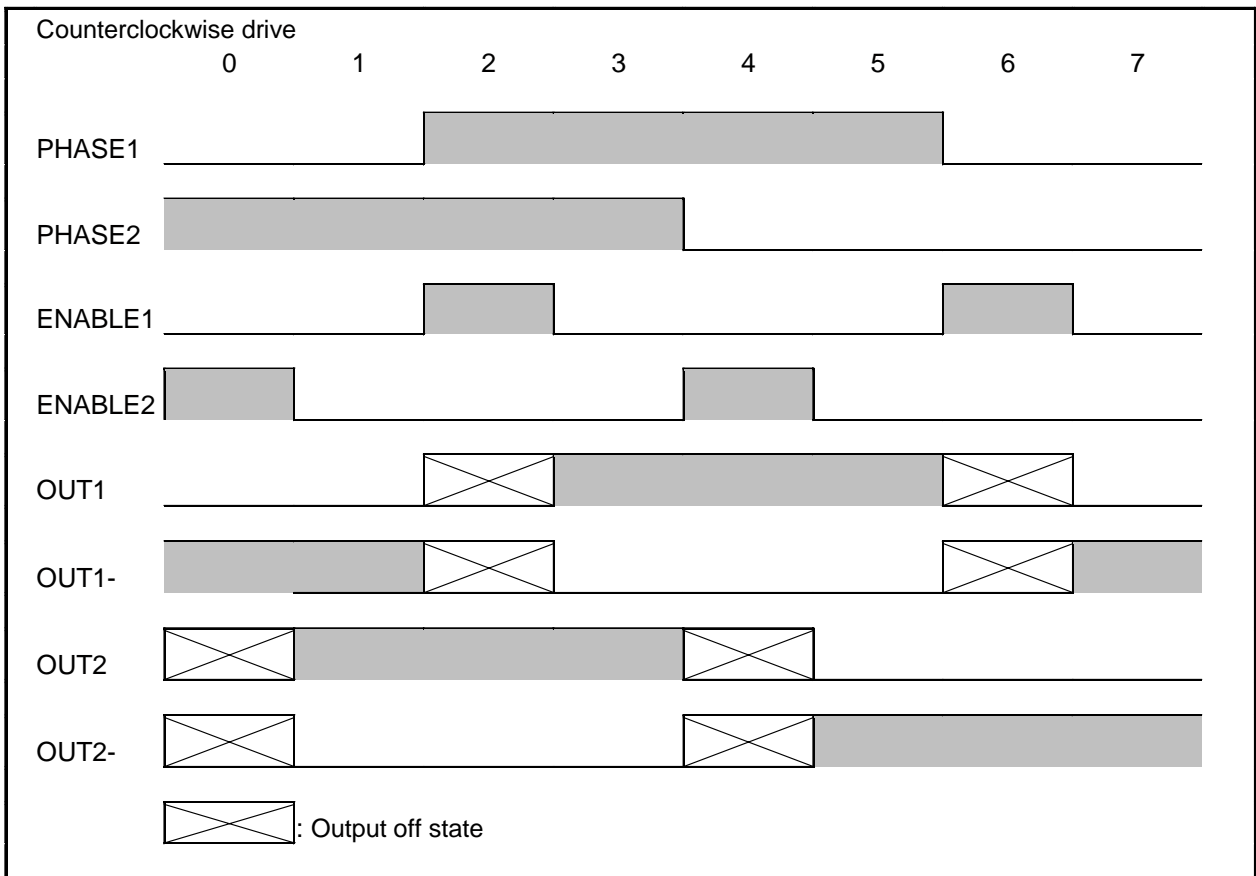
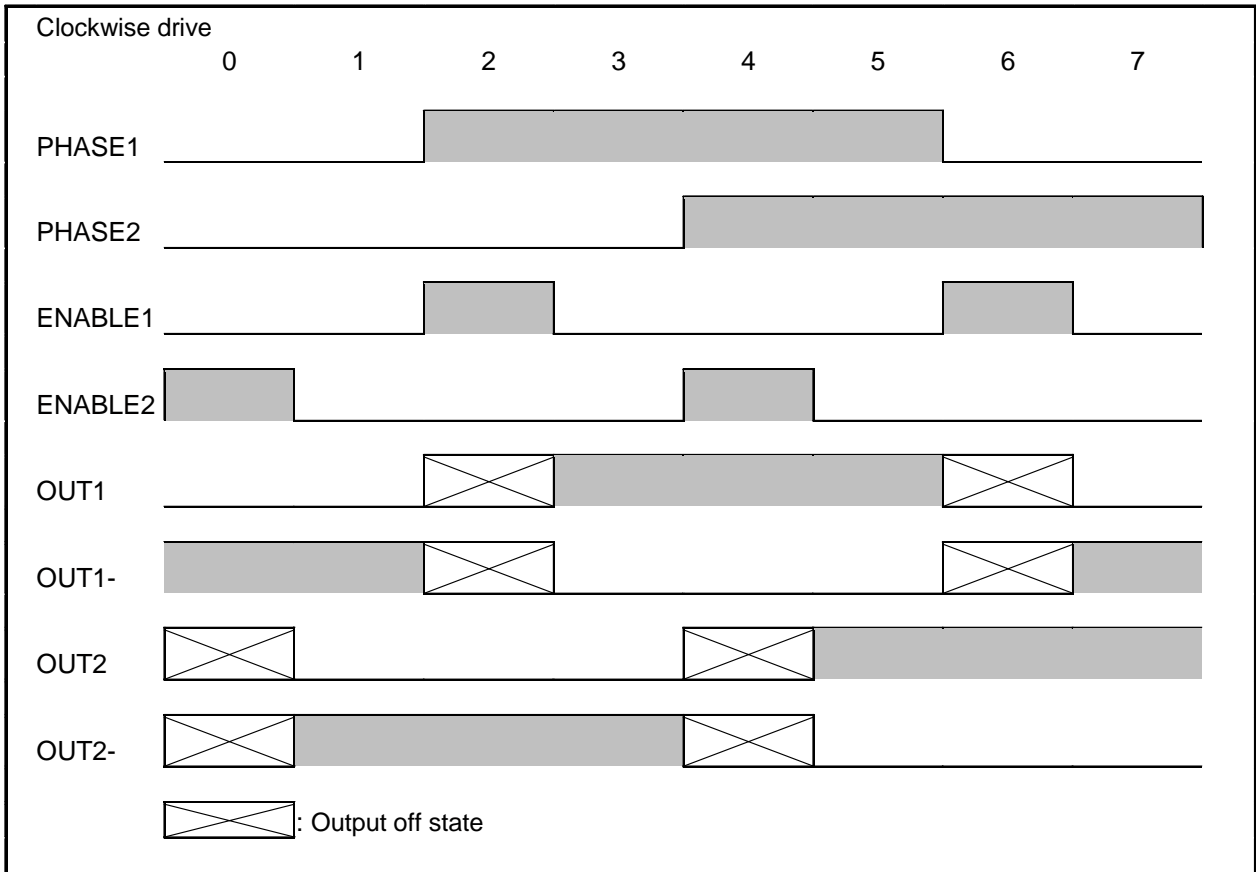
Table 3 Clockwise drive

No.	PHASE1	ENABLE1	OUT1	OUT1-	PHASE2	ENABLE2	OUT2	OUT2-
0	0	0	0	1	0	1	OFF	OFF
1	0	0	0	1	0	0	0	1
2	1	1	OFF	OFF	0	0	0	1
3	1	0	1	0	0	0	0	1
4	1	0	1	0	1	1	OFF	OFF
5	1	0	1	0	1	0	1	0
6	0	1	OFF	OFF	1	0	1	0
7	0	0	0	1	1	0	1	0

Table 4 Counterclockwise drive

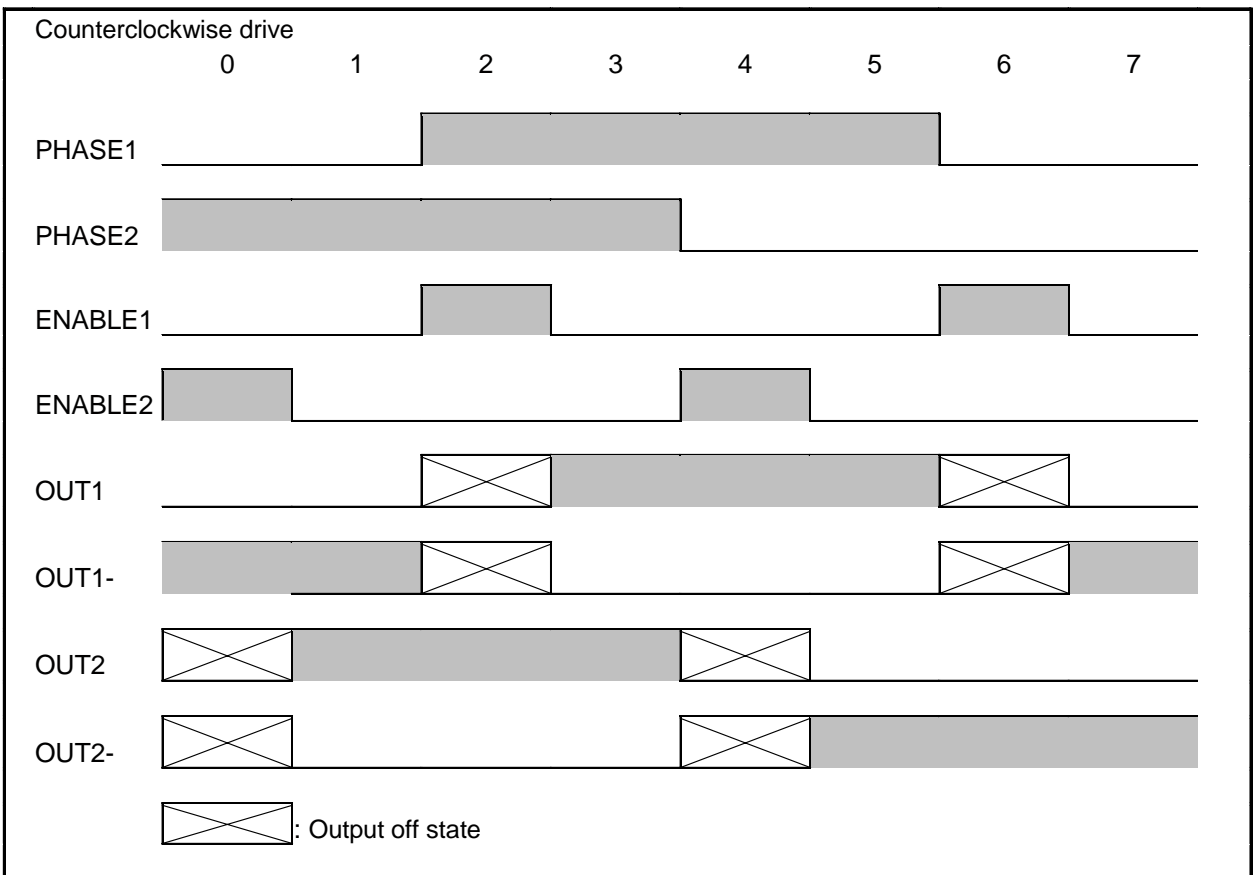
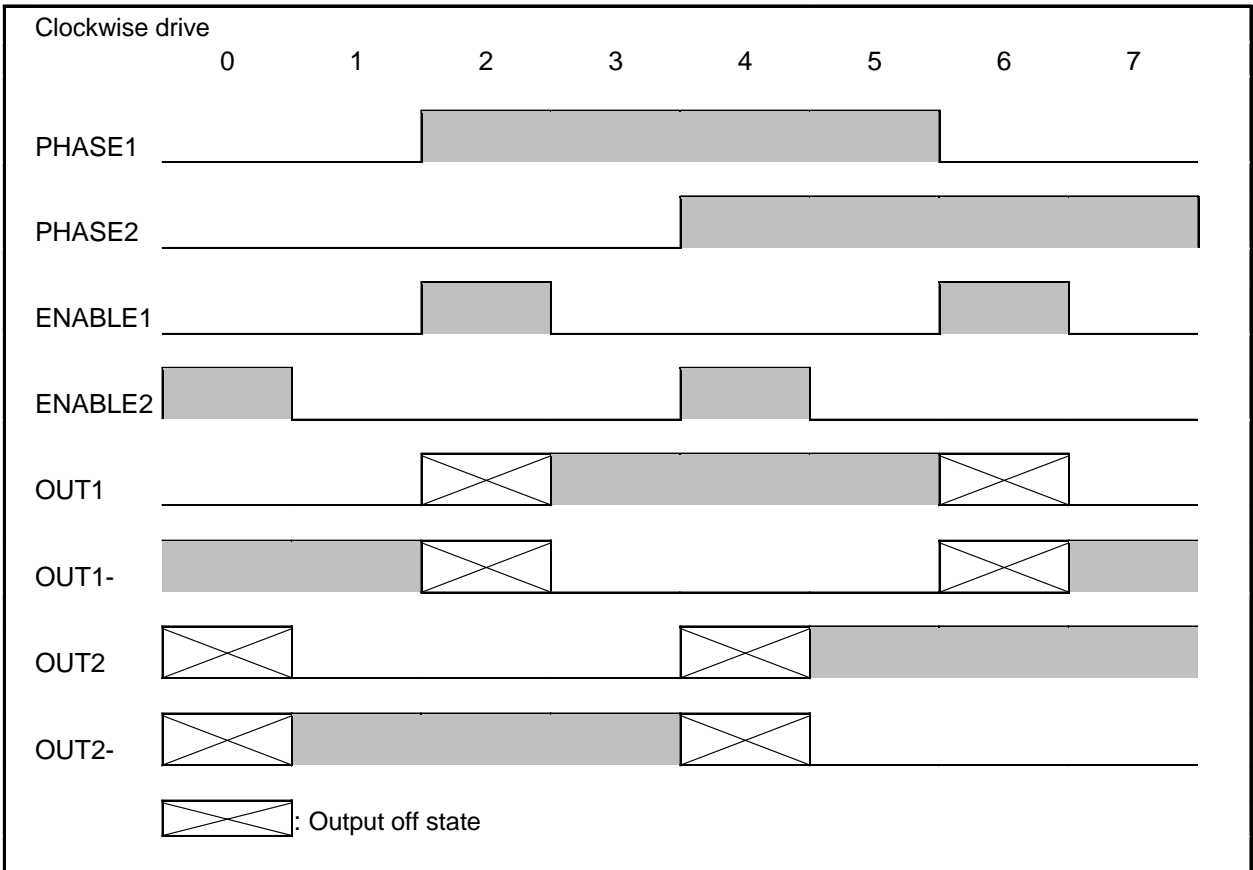
No.	PHASE1	ENABLE1	OUT1	OUT1-	PHASE2	ENABLE2	OUT2	OUT2-
0	0	0	0	1	1	1	OFF	OFF
1	0	0	0	1	1	0	1	0
2	1	1	OFF	OFF	1	0	1	0
3	1	0	1	0	1	0	1	0
4	1	0	1	0	0	1	OFF	OFF
5	1	0	1	0	0	0	0	1
6	0	1	OFF	OFF	0	0	0	1
7	0	0	0	1	0	0	0	1

2 Phase Excitation Drive Sequence

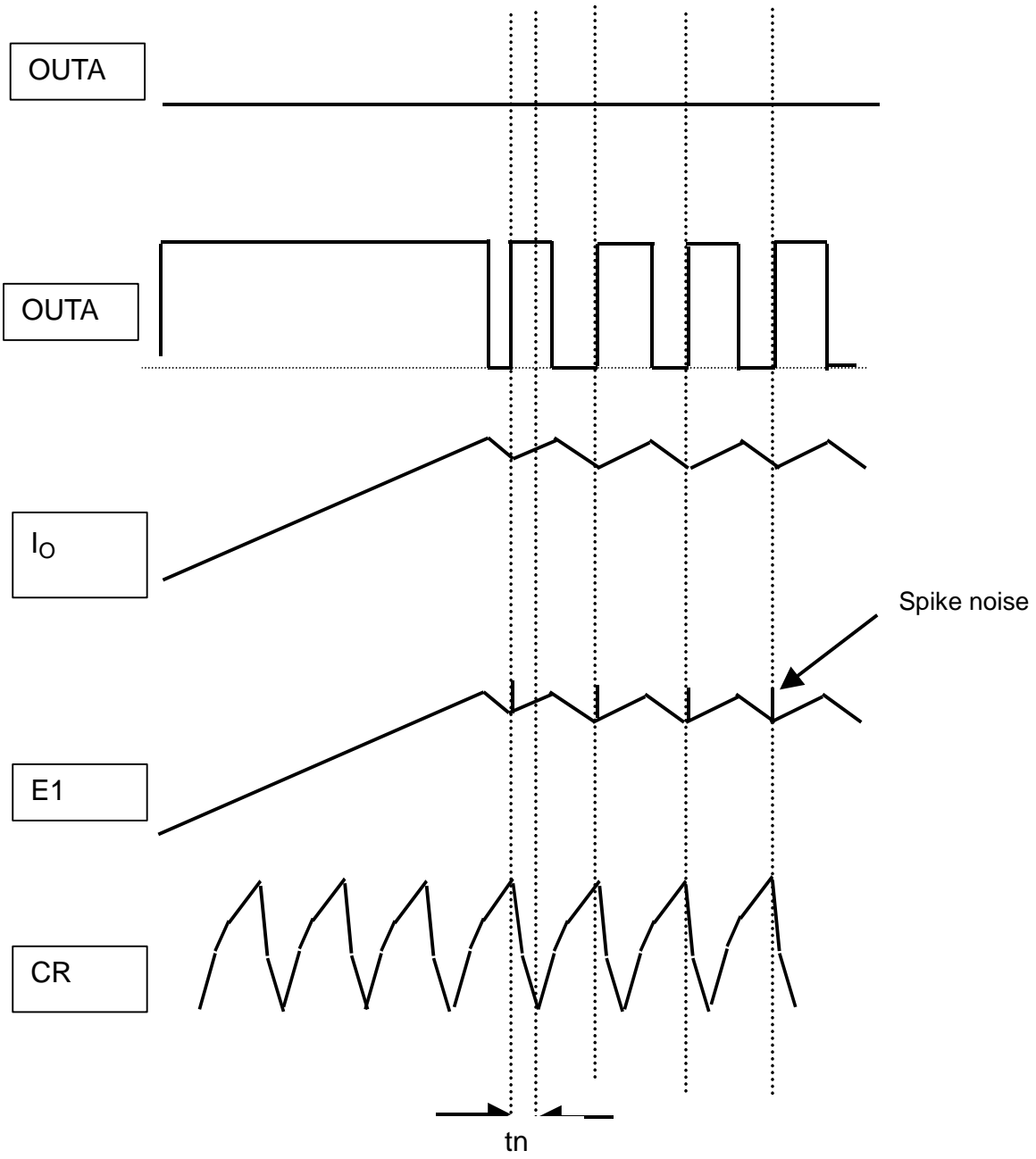




1-2 Phase Excitation Drive Sequence



Switching Operation Timing Chart



tn: The noise canceller operating time

**Usage Notes****Simplified Formulas for Determining Resistor and Capacitor Values**

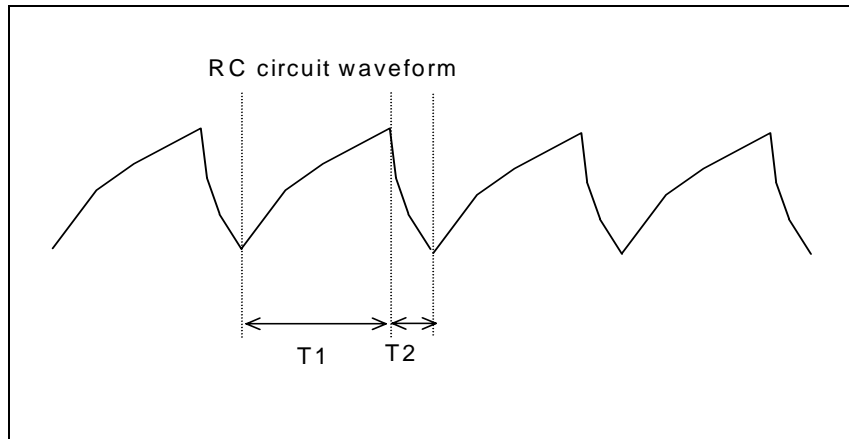
The formulas for setting the rise time (T1) and the fall time (T2) for the RC oscillator are shown below.

$$T1 \approx 0.44C \cdot R \text{ (s)}$$

$$T2 \approx 0.72 \cdot (C \cdot R \cdot 100) / (R + 1000) \text{ (s)}$$

Set the oscillator frequency using the simplified formulas shown above.

Note that the T2 triangle wave fall time is the noise canceller circuit operating time.

**Setting the Constant Current Level**

The reference voltage VREF1 and VREF2 can be set by voltage dividing the 1 V regulator output.

The output current is set by the voltage applied to the VREF pins and the resistors RE connected between the E1 and E2 pins and ground.

The output current is set according to the following equation:  $I_O = V_{REF}/R_e$  (A)

VREF voltage operating range: 0 to 1 V

E1 pin voltage range: 0 to 1 V

**Notes on the VREF Pins**

- Since the VREF pins are the input pins for the reference voltage used to set the current, applications must be designed so that noise that could influence circuit operation does not occur at these pins.

**Notes on the Ground Pins**

Since this IC switches large currents, the following notes on ground lines must be observed.

- The PCB pattern lines in areas that handle large currents must be as wide as possible so as to have low impedances, and must be kept as far as possible from the small signal systems.
- The ground terminals on the sensing resistors  $R_e$  connected to the E pins (E1 and E2) must be connected as close as possible to the IC GND (pin 21), PGND (pin 22), or DGND (pins 5 and 26) pins as possible.
- The capacitors between  $V_{CC}$  and ground and between  $V_{BB}$  and ground must be as close as possible to the corresponding  $V_{CC}$  and  $V_{BB}$  pin in the pattern.

- Specifications of any and all SANYO Semiconductor products described or contained herein stipulate the performance, characteristics, and functions of the described products in the independent state, and are not guarantees of the performance, characteristics, and functions of the described products as mounted in the customer's products or equipment. To verify symptoms and states that cannot be evaluated in an independent device, the customer should always evaluate and test devices mounted in the customer's products or equipment.
- SANYO Semiconductor Co., Ltd. strives to supply high-quality high-reliability products. However, any and all semiconductor products fail with some probability. It is possible that these probabilistic failures could give rise to accidents or events that could endanger human lives, that could give rise to smoke or fire, or that could cause damage to other property. When designing equipment, adopt safety measures so that these kinds of accidents or events cannot occur. Such measures include but are not limited to protective circuits and error prevention circuits for safe design, redundant design, and structural design.
- In the event that any or all SANYO Semiconductor products (including technical data, services) described or contained herein are controlled under any of applicable local export control laws and regulations, such products must not be exported without obtaining the export license from the authorities concerned in accordance with the above law.
- No part of this publication may be reproduced or transmitted in any form or by any means, electronic or mechanical, including photocopying and recording, or any information storage or retrieval system, or otherwise, without the prior written permission of SANYO Semiconductor Co., Ltd.
- Any and all information described or contained herein are subject to change without notice due to product/technology improvement, etc. When designing equipment, refer to the "Delivery Specification" for the SANYO Semiconductor product that you intend to use.
- Information (including circuit diagrams and circuit parameters) herein is for example only; it is not guaranteed for volume production. SANYO Semiconductor believes information herein is accurate and reliable, but no guarantees are made or implied regarding its use or any infringements of intellectual property rights or other rights of third parties.

This catalog provides information as of December, 2004. Specifications and information herein are subject to change without notice.