



SANYO Semiconductors

## DATA SHEET

# LA73073CL — Monolithic Linear IC Video Driver for DSC

## Overview

LA73073CL is 75Ω Video driver for DSC.

## Functions/Features

- Not requires output coupling capacity.
- Low voltage drive ( $V_{CC} = 2.8V$  to  $3.6V$ )
- V sag does not occur.
- Implements 6th Low Pass Filter ( $f_c = 7.5MHz$ )
- Current dissipation in stand-by mode :  $0\mu A$
- Selectable amplifier gain of 6dB, 12dB and 16dB.  
(Pin control (GND/Open/ $V_{CC}$ ))
- Output drive performance allows up to  $75\Omega$  output and single system.

## Specifications

**Maximum Ratings** at  $T_a = 25^\circ C$

Parameter	Symbol	Conditions	Ratings	Unit
Maximum supply voltage	$V_{CC\ max}$		4.0	V
Allowable power dissipation	$P_d\ max$	$T_a \leq 80^\circ C$ , *Mounted on a board	160	mW
Operating temperature	$T_{opr}$		-25 to +80	$^\circ C$
Storage temperature	$T_{stg}$		-55 to +150	$^\circ C$

\*( $10 \times 20 \times 0.8mm$ ) Material : Paper phenol

**Recommended Operating Conditions** at  $T_a = 25^\circ C$

Parameter	Symbol	Conditions	Ratings	Unit
Recommended Operating supply voltage	$V_{CC\ STD}$		3.1	V
Operating supply voltage range	$V_{CC\ RANGE}$		2.8 to 3.6	V

■ Any and all SANYO Semiconductor products described or contained herein do not have specifications that can handle applications that require extremely high levels of reliability, such as life-support systems, aircraft's control systems, or other applications whose failure can be reasonably expected to result in serious physical and/or material damage. Consult with your SANYO Semiconductor representative nearest you before using any SANYO Semiconductor products described or contained herein in such applications.

■ SANYO Semiconductor assumes no responsibility for equipment failures that result from using products at values that exceed, even momentarily, rated values (such as maximum ratings, operating condition ranges, or other parameters) listed in products specifications of any and all SANYO Semiconductor products described or contained herein.

**SANYO Semiconductor Co., Ltd.**

TOKYO OFFICE Tokyo Bldg., 1-10, 1 Chome, Ueno, Taito-ku, TOKYO, 110-8534 JAPAN

# LA73073CL

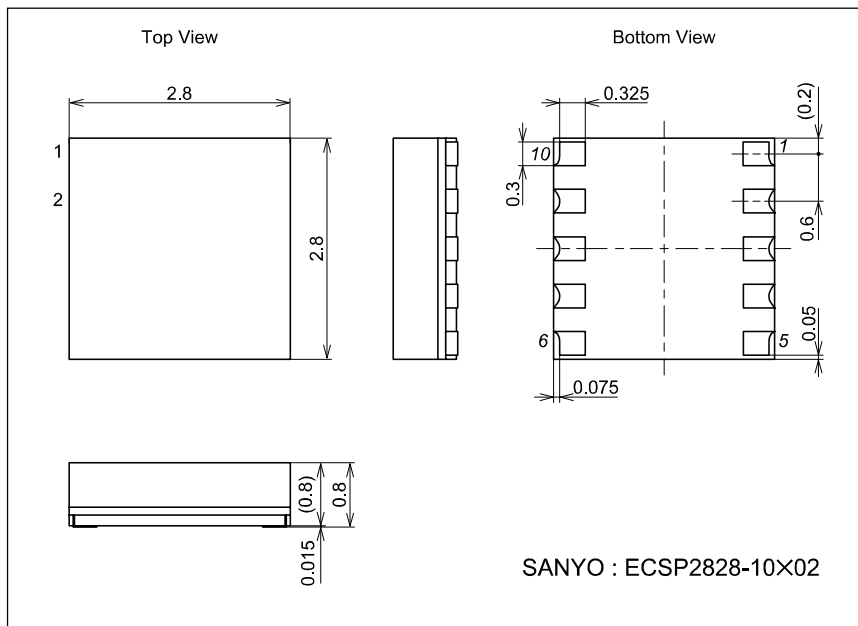
**Electrical Characteristics** at  $T_a = 25^\circ\text{C}$ ,  $V_{CC} = 3.1\text{V}$

Parameter	Symbol	Conditions	Ratings			Unit
			min	typ	max	
[Current dissipation part]						
Current dissipation 1 ( $V_{IN} = \text{White}50\%$ )	$I_{CC}$	4pin = Low Input = White50%	14	22	30	mA
Current dissipation 2 ( Non-signal mode )	$I_{CC2}$	4pin = Low Input = No signal	7	11.5	15	mA
Current dissipation 3 ( Standby mode )	$I_{CC-STBY}$	4pin = Open (High)		0	5	$\mu\text{A}$
[Video part]						
Voltage gain V6	$V_{G-L}$	$V_{IN} = 1\text{Vp-p}$ 100% white 2pin = Low (GND)	5.7	6.2	6.7	dB
Voltage gain V12	$V_{G-M}$	$V_{IN} = 0.5\text{Vp-p}$ 100% white 2pin = MID (Open)	11.7	12.2	12.7	dB
Voltage gain V16	$V_{G-H}$	$V_{IN} = 317\text{mVp-p}$ 100% white 2pin = High ( $V_{CC}$ )	15.7	16.2	16.7	dB
Freq. Characteristic	$V_f$	$f = 100\text{kHz}/5\text{MHz}$	-1.5	-0.5	+0.5	dB
Differential Gain	$D_G$		-2.0	0	-2.0	%
Differential Phase	$D_P$		-2.0	0	-2.0	deg
[Control terminal part]						
Stand-by control terminal H voltage (SET = STANDBY MODE)	$V_{TH-STBY-H}$	$I_{CC} \leq 5\mu\text{A}$ 4-pin terminal voltage range	$V_{CC}-0.5$		3.6	V
Stand-by control terminal L voltage (SET = ACTIVE MODE)	$V_{TH-STBY-L}$	Active mode 4-pin terminal voltage range	GND		0.3	V
Gain selection control terminal H voltage (SET = 16dB)	$V_{TH-G-H}$	Amp Gain = 16dB 2-pin terminal voltage range	$V_{CC}-0.3$		$V_{CC}$	V
Gain selection control terminal M voltage (SET = 12dB)	$V_{TH-G-M}$	Amp Gain = 12dB 2-pin terminal voltage range	1.0	1.2 (OPEN)	1.4	V
Gain selection control terminal L voltage (SET = 6dB)	$V_{TH-G-L}$	Amp Gain = 6dB 2-pin terminal voltage range	GND		0.3	V

## Package Dimensions

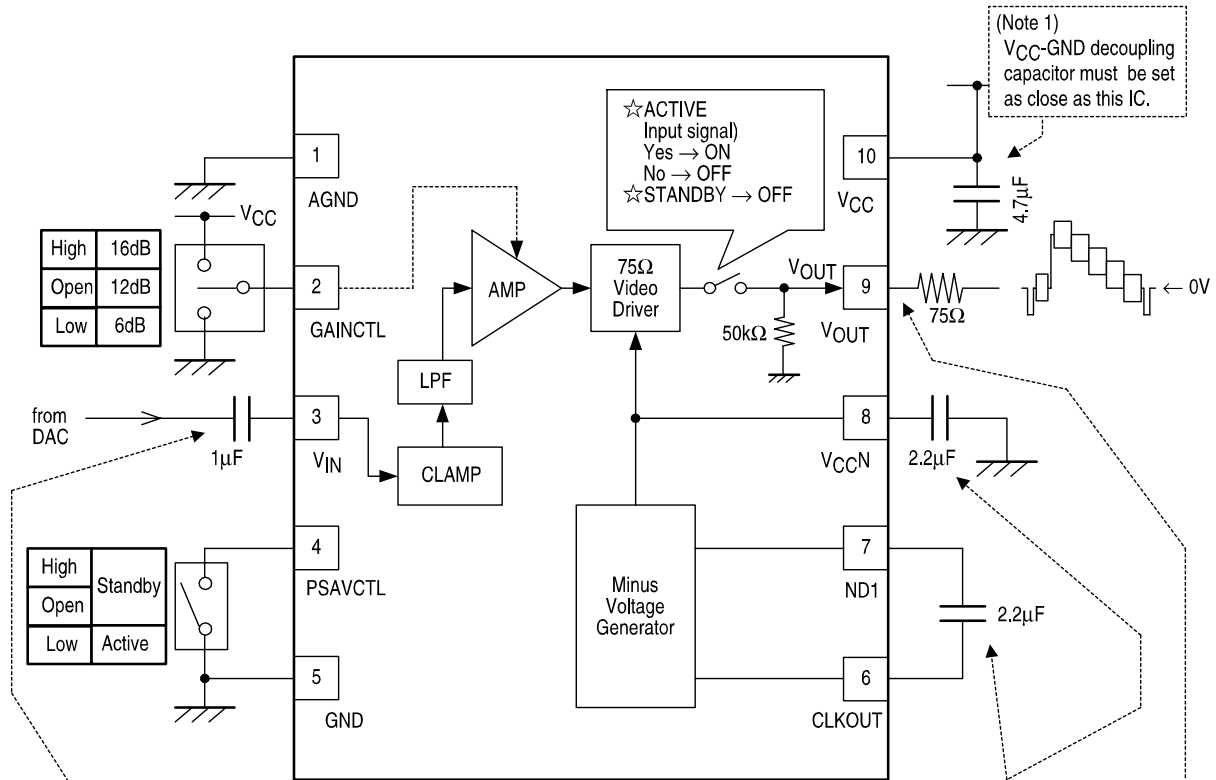
unit : mm

3301



# LA73073CL

## LA73073CL Pin Configuration, Pin Function Diagram and Block Diagram



(Note 2)  
For input capacity value, use between 0.1 $\mu$ F to 1 $\mu$ F by observing the sag condition of output waveform.

(Note 3)  
For these two capacity, it is recommended that the temperature characteristic be B rank (-10% to +10%), the electrostatic allowable difference be K rank (-10% to +10%), and the resistance be 6.3 V or more.

(Note 4) The wiring from VOUT (Pin 9) to 75  $\Omega$  must be shortened as much as possible.

(Note 5)  
Since the minus voltage generator (negative power supply) of this IC extracts a sink portion from the input video signal (synchronous separation) and generates the clock of a charge pump power supply by detecting the falling edge, if the dummy V signal without cut pulses is inserted like when the special play (search) is performed on some analog VTR, the IC output around the V synchronization may be compressed. On the other hand, there is especially no problem if a cut pulse is contained. Please make sure the above mentioned symptom when using.

# LA73073CL

## Input Output Form

Pin No	Symbol	Equivalent Circuit	Voltage	Description												
1	AGND		0V	Analog GND												
2	GAINCTL		1.2V	Gain select pin <table border="1" style="margin-top: 10px; width: 100%;"> <thead> <tr> <th>Control of Pin2</th> <th></th> <th>GAIN</th> </tr> </thead> <tbody> <tr> <td>H(V<sub>CC</sub>)</td> <td>⇒</td> <td>16dB</td> </tr> <tr> <td>M(OPEN)</td> <td>⇒</td> <td>12dB</td> </tr> <tr> <td>L(GND)</td> <td>⇒</td> <td>6dB</td> </tr> </tbody> </table>	Control of Pin2		GAIN	H(V <sub>CC</sub> )	⇒	16dB	M(OPEN)	⇒	12dB	L(GND)	⇒	6dB
Control of Pin2		GAIN														
H(V <sub>CC</sub> )	⇒	16dB														
M(OPEN)	⇒	12dB														
L(GND)	⇒	6dB														
3	V <sub>IN</sub>		1.1V	Video input terminal (Sync-tip clamp (input High-impedance)) <div style="border: 1px dashed black; padding: 5px; margin-top: 10px;">             GAIN SET : 6dB ⇒ 1.0 Vp-p              GAIN SET : 16dB ⇒ 317mVp-p              GAIN SET : 12dB ⇒ 500mVp-p           </div>												
4	PSAVCTL		V <sub>CC</sub> or 0V	Power save mode select pin <table border="1" style="margin-top: 10px; width: 100%;"> <thead> <tr> <th colspan="2">Control of Pin4</th> <th></th> <th>MODE</th> </tr> </thead> <tbody> <tr> <td>H(V<sub>CC</sub>)</td> <td>OPEN or V<sub>CC</sub>±0.5V</td> <td>⇒</td> <td>STANDBY</td> </tr> <tr> <td>L(GND)</td> <td>0V to 0.3V</td> <td>⇒</td> <td>ACTIVE</td> </tr> </tbody> </table>	Control of Pin4			MODE	H(V <sub>CC</sub> )	OPEN or V <sub>CC</sub> ±0.5V	⇒	STANDBY	L(GND)	0V to 0.3V	⇒	ACTIVE
Control of Pin4			MODE													
H(V <sub>CC</sub> )	OPEN or V <sub>CC</sub> ±0.5V	⇒	STANDBY													
L(GND)	0V to 0.3V	⇒	ACTIVE													
5	GND		0V													

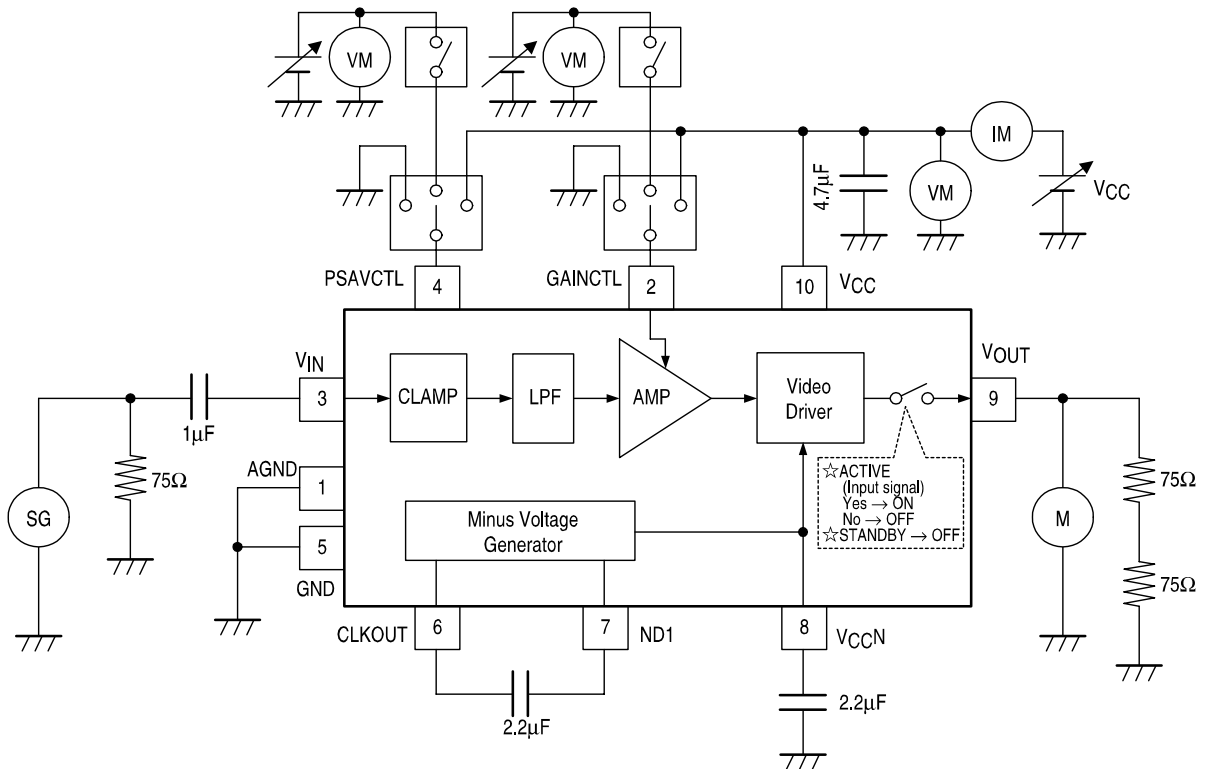
Continued on next page.

# LA73073CL

Continued from preceding page.

Pin No	Symbol	Equivalent Circuit	Voltage	Description
6	CLKOUT		+3.0V ↑ ↓ 0V	Pin : Clock output terminal  
7	ND1		+0.5V ↑ ↓ -2.6V (-VCC)	Pin7 : The terminal which transmits an electric charge
8	VCCN		0V ↑ ↓ -2.5V (-VCC)	Pin8 : Negative VCC
9	VOUT		0V	Video output terminal (Push-pull output Low-impedance)  
10	VCC		2.9V to 3.6V	

Measurement Circuit Diagram



- Specifications of any and all SANYO Semiconductor products described or contained herein stipulate the performance, characteristics, and functions of the described products in the independent state, and are not guarantees of the performance, characteristics, and functions of the described products as mounted in the customer's products or equipment. To verify symptoms and states that cannot be evaluated in an independent device, the customer should always evaluate and test devices mounted in the customer's products or equipment.
- SANYO Semiconductor Co., Ltd. strives to supply high-quality high-reliability products. However, any and all semiconductor products fail with some probability. It is possible that these probabilistic failures could give rise to accidents or events that could endanger human lives, that could give rise to smoke or fire, or that could cause damage to other property. When designing equipment, adopt safety measures so that these kinds of accidents or events cannot occur. Such measures include but are not limited to protective circuits and error prevention circuits for safe design, redundant design, and structural design.
- In the event that any or all SANYO Semiconductor products (including technical data, services) described or contained herein are controlled under any of applicable local export control laws and regulations, such products must not be exported without obtaining the export license from the authorities concerned in accordance with the above law.
- No part of this publication may be reproduced or transmitted in any form or by any means, electronic or mechanical, including photocopying and recording, or any information storage or retrieval system, or otherwise, without the prior written permission of SANYO Semiconductor Co., Ltd.
- Any and all information described or contained herein are subject to change without notice due to product/technology improvement, etc. When designing equipment, refer to the "Delivery Specification" for the SANYO Semiconductor product that you intend to use.
- Information (including circuit diagrams and circuit parameters) herein is for example only; it is not guaranteed for volume production. SANYO Semiconductor believes information herein is accurate and reliable, but no guarantees are made or implied regarding its use or any infringements of intellectual property rights or other rights of third parties.

This catalog provides information as of September, 2005. Specifications and information herein are subject to change without notice.