

THE INFORMATION CONTAINED HEREIN IS CONSIDERED 'PROPRIETARY' TO BEL FUSE INC. AND SHALL NOT BE COPIED, REPRODUCED OR DISCLOSED WITHOUT THE WRITTEN APPROVAL OF BEL FUSE INC.

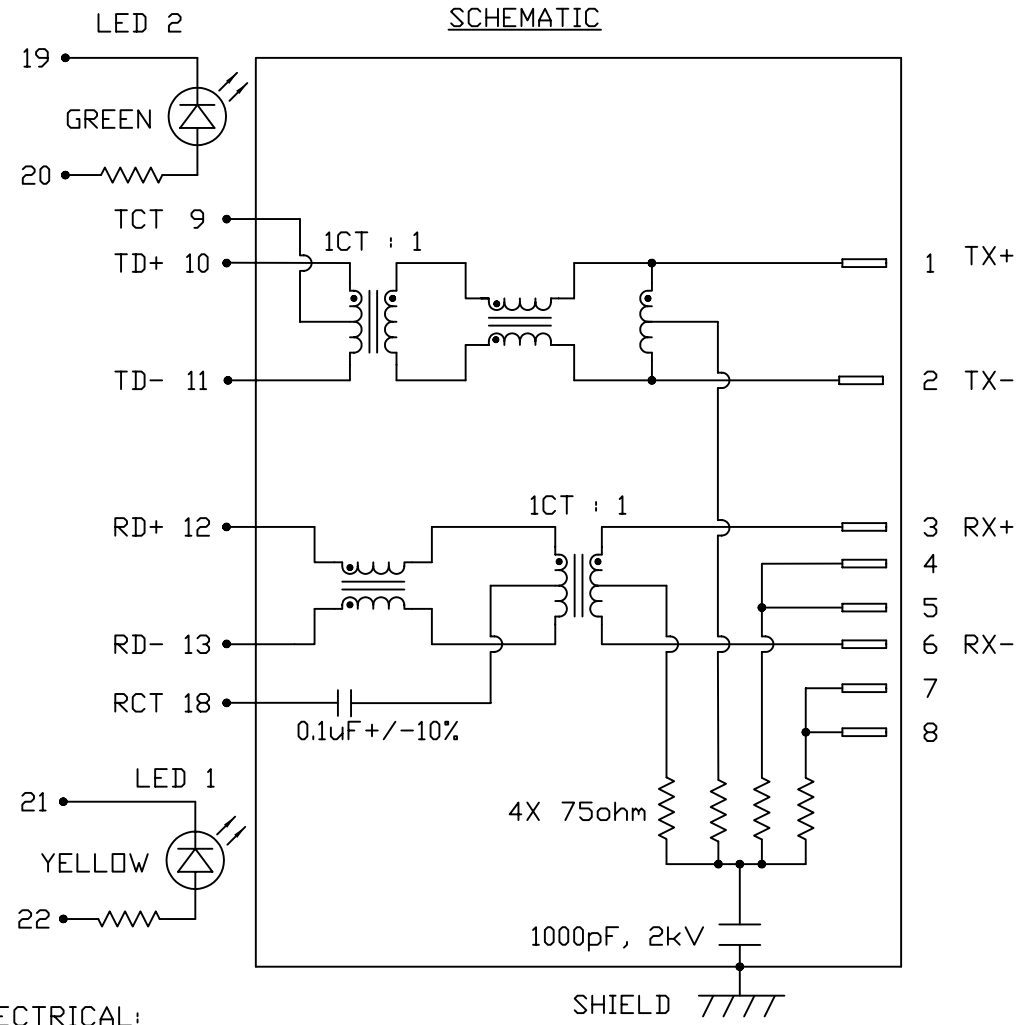
LED2 POLARITY			LED1 POLARITY		
PIN 19	PIN 20	COLOR	PIN 21	PIN 22	COLOR
-	+	GREEN	-	+	YELLOW

PRELIMINARY

ELECTRICAL CHARACTERISTICS @ 25°C

<p> <b>URNS RATIO</b>            TX            RX  <b>OCL @ 100kHz,100mVRMS</b>            8mA DC BIAS  <b>INS. LOSS</b>            100KHz TO 100MHz  <b>RET. LOSS (MIN)</b>            1MHz-30MHz            30MHz-60MHz            60MHz-80MHz  <b>CM TO CM REJ</b>            100kHz - 100MHz            100MHz - 130MHz  <b>CROSS TALK</b>            1MHz - 65MHz            65MHz - 100MHz  <b>HIPOT (Isolation Voltage):</b>  <b>LEAKAGE INDUCTANCE</b>            PRIMARY W/ SECONDARY  <b>INTERWINDING CAPACITANCE</b>            PER CHANNEL (PRI. TO SEC.)  <b>DC RESISTANCE</b>            (RJ1-RJ2)=(RJ3-RJ6)         </p>	<p>           1CT : 1CT ±3%            1CT : 1CT ±3%            350uH MIN            -1.0 dB MAX            -20 dB            -[19-20LOG(F/30MHz)] dB            -12 dB            -30 dB MIN            -20 dB MIN            -35 dB MIN            -30 dB MIN            1500 Vrms            0.3uH Max. @ 1MHz            30pF Max @ 1MHz            1.2 ohms Max         </p>
---	---

<p> <b>LED 1</b>            VF (FORWARD VOLTAGE) IF=20mA YELLOW 2.1V TYP.            λD (DOMINANT WAVELENGTH) IF=20mA YELLOW 590nm TYP.  <b>LED 2</b>            VF (FORWARD VOLTAGE) IF=20mA GREEN 2.2V TYP.            λD (DOMINANT WAVELENGTH) IF=20mA GREEN 565nm TYP.         </p>	<p> <b>USB ELECTRICAL:</b>            INSULATION RESISTANCE: 1000 MEG Ω (MIN)            CONTACT RESISTANCE: 25 MILLI Ω (MAX)            DIELECTRIC WITHSTANDING: 750 VAC         </p>
---	--



DRWN	DATE	TITLE
CHUN	06-14-04	MagJack™ Combo (Staggered pin)
CHKD	DATE	
CHUNG	06-14-04	

PART NO. / DRAWING NO.
C893-1AX1-E1
FILE NAME
C8931AX1E1PA.DWG

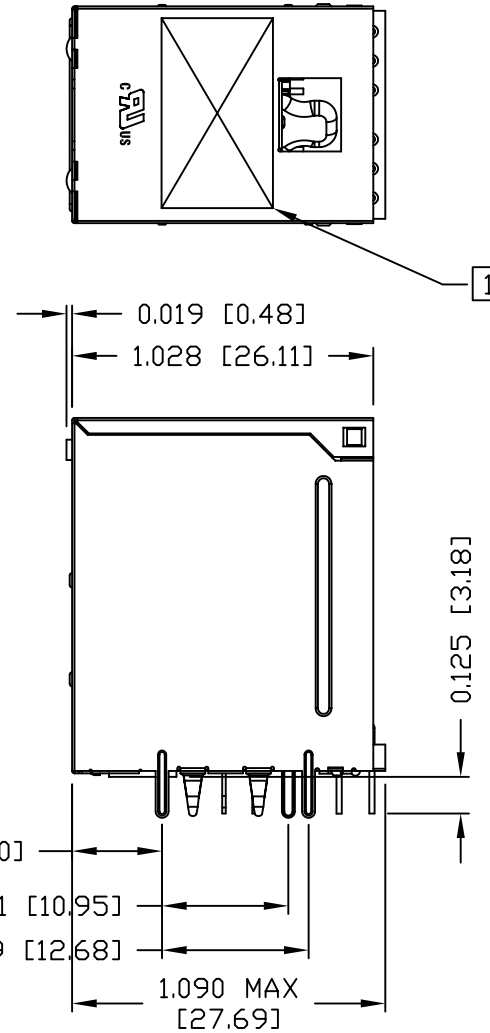
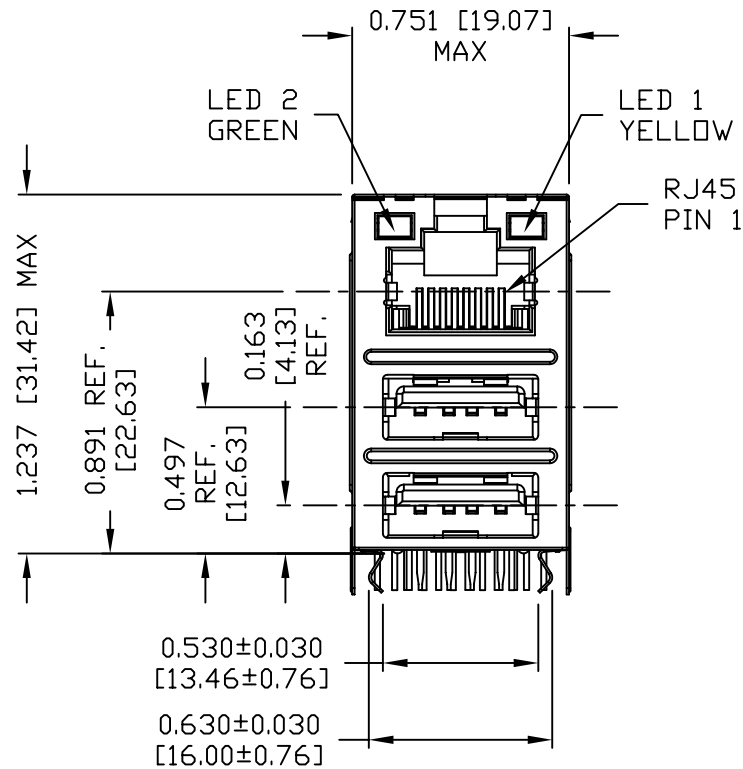
STANDARD DIM.	[ ] METRIC DIM. AS REFERENCE
TOL. IN INCH	UNIT : INCH [mm]
.X	REV. : PA
.XX	SCALE : N/A
.XXX	SIZE : A4
	PAGE : 2



THE INFORMATION CONTAINED HEREIN IS CONSIDERED "PROPRIETARY" TO BEL FUSE INC. AND SHALL NOT BE COPIED, REPRODUCED OR DISCLOSED WITHOUT THE WRITTEN APPROVAL OF BEL FUSE INC.

PRELIMINARY

MECHANICAL SPECIFICATION



DRWN MEI	DATE 06-17-04	TITLE MagJack™ Combo (Staggered pin)
CHKD TAQ/KEUNG	DATE 06-17-04	

PART NO. / DRAWING NO. C893-1AX1-E1
FILE NAME C8931AX1E1PA.DWG

STANDARD DIM. TOL. IN INCH	
.X	/
.XX	
.XXX	

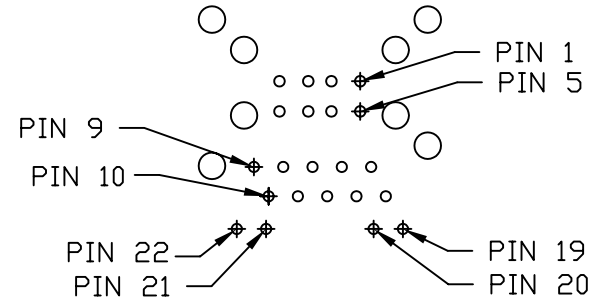
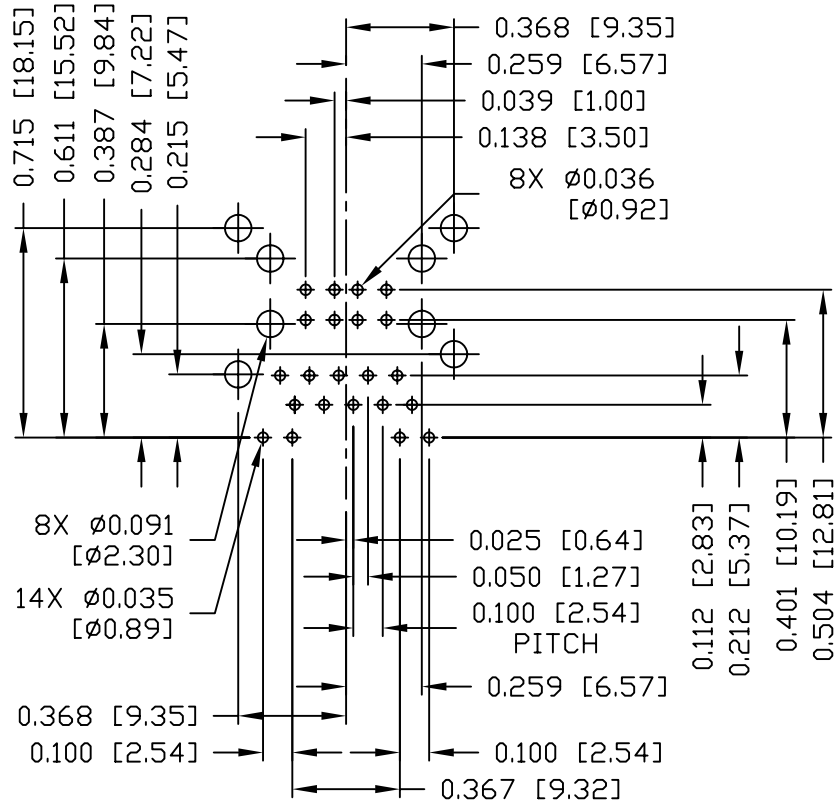
[ ] METRIC DIM. AS REFERENCE	
UNIT : INCH [mm]	REV. : PA
SCALE : N/A	SIZE : A4
	PAGE : 3



THE INFORMATION CONTAINED HEREIN IS CONSIDERED "PROPRIETARY" TO BEL FUSE INC. AND SHALL NOT BE COPIED, REPRODUCED OR DISCLOSED WITHOUT THE WRITTEN APPROVAL OF BEL FUSE INC.

PRELIMINARY

Recommended PCB footprint  
Component Side



RJ45 MECHANICAL:

PLASTIC HOUSING: THERMOPLASTIC PBT  
 FLAMMABILITY RATING UL 94V-0  
 CONTACTS PLATING: 50 MICRO-INCH HARD GOLD PLATING  
 PINS: TIN-COATED CP WIRE, DIA 0.018 INCH.  
 METAL SHIELD: TIN PLATED ON COPPER ALLOY,


USB MECHANICAL:

MATING FORCE: 35 NEWTONS MAXIMUM  
 UNMATING FORCE: 10 NEWTONS MINIMUM  
 CONTACTS PLATING: PROSPHER BRONZE, GOLD PLATING ON CONTACT AREA AND TIN ON SOLDER TAIL.

 UL RECOGNIZED - FILE #E196366 AND E169987.

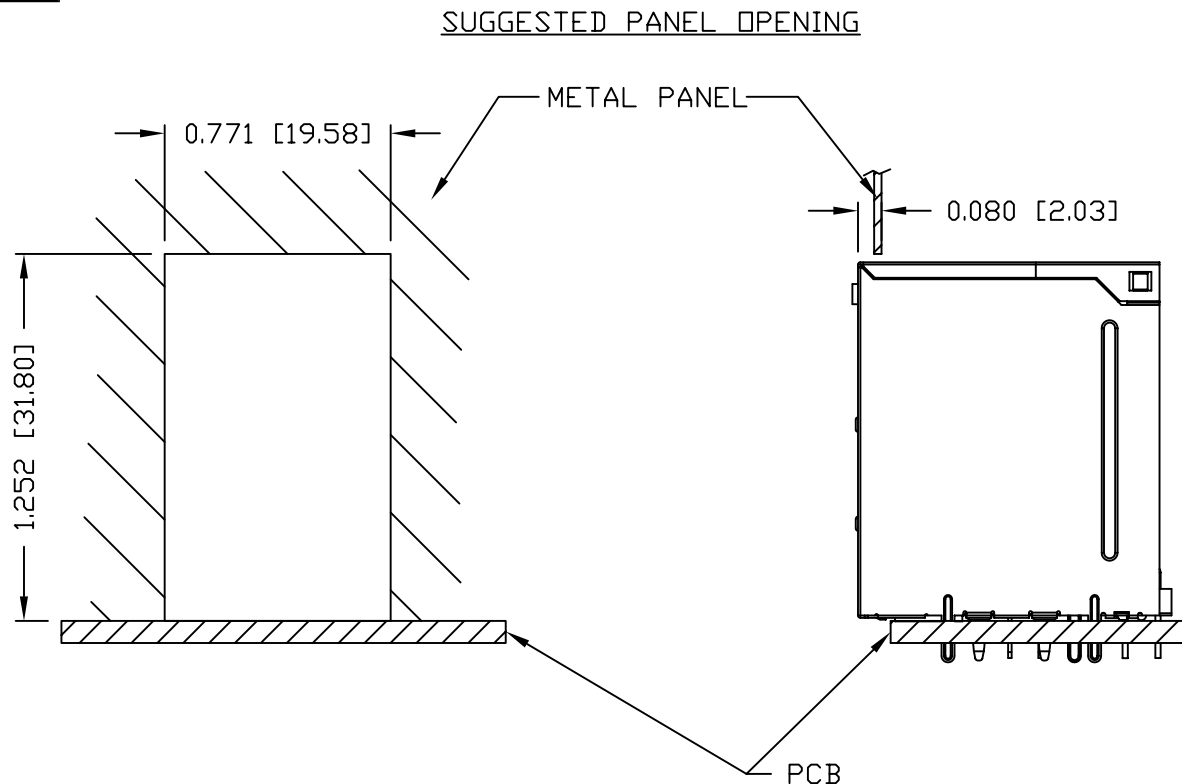
RoHS COMPLIANCE, PER EU DIRECTIVE 2002/95/EC.

[1] MARK PART WITH MFG LOGO, MFG NAME, PART NUMBER, AND DATE CODE.

DRWN MEI	DATE 06-17-04	TITLE MagJack™ Combo (Staggered pin)	PART NO. / DRAWING NO. C893-1AX1-E1	STANDARD DIM. TOL. IN INCH	[ ] METRIC DIM. AS REFERENCE		bel COMPONENTS FOR A CONNECTED PLANET
CHKD TAQ/KEUNG	DATE 06-17-04		FILE NAME C8931AX1E1PA.DWG	.X .XX .XXX	UNIT : INCH [mm] SCALE : N/A 	REV. : PA SIZE : A4 PAGE : 4	

THE INFORMATION CONTAINED HEREIN IS CONSIDERED "PROPRIETARY" TO BEL FUSE INC. AND SHALL NOT BE COPIED, REPRODUCED OR DISCLOSED WITHOUT THE WRITTEN APPROVAL OF BEL FUSE INC.

PRELIMINARY



**NOTE:**

THE DISTANCE OF PANEL INSIDE SURFACE RELATIVE TO FRONT SURFACE OF PART IS ONLY A SUGGESTION. IN CASE THIS DISTANCE IS DIFFERENT, THE REQUIRED PANEL OPENING DIMENSIONS CHANGE ACCORDINGLY.

**PACKING INFORMATION**

PACKING TRAY : 0200-9999-H3 (TOP)  
0200-9999-H4 (BOTTOM)

PACKING QUANTITY : 35 PCS FINISHED GOODS PER TRAY  
10 TRAY (350 PCS FINISHED GOODS) PER CARTON BOX

NOTE : CARDBOARDS ARE PLACED BETWEEN LAYERS OF PACKING TRAY INSIDE CARTON BOX (INCLUDE THE UPPERMOST AND LOWERMOST TRAY)

DRWN MEI	DATE 06-17-04	TITLE MagJack™ Combo (Staggered pin)	PART NO. / DRAWING NO. C893-1AX1-E1	STANDARD DIM. TOL. IN INCH		[ ] METRIC DIM. AS REFERENCE		
				.X	.XX	UNIT : INCH [mm]	REV. : PA	
CHKD TAQ/KEUNG	DATE 06-17-04		FILE NAME C8931AX1E1PA.DWG	.XXX	±0.005	SCALE : N/A	SIZE : A4	
							⊕	PAGE : 5

