

T1/E1 Slim Line Hybrids for PMC Sierra

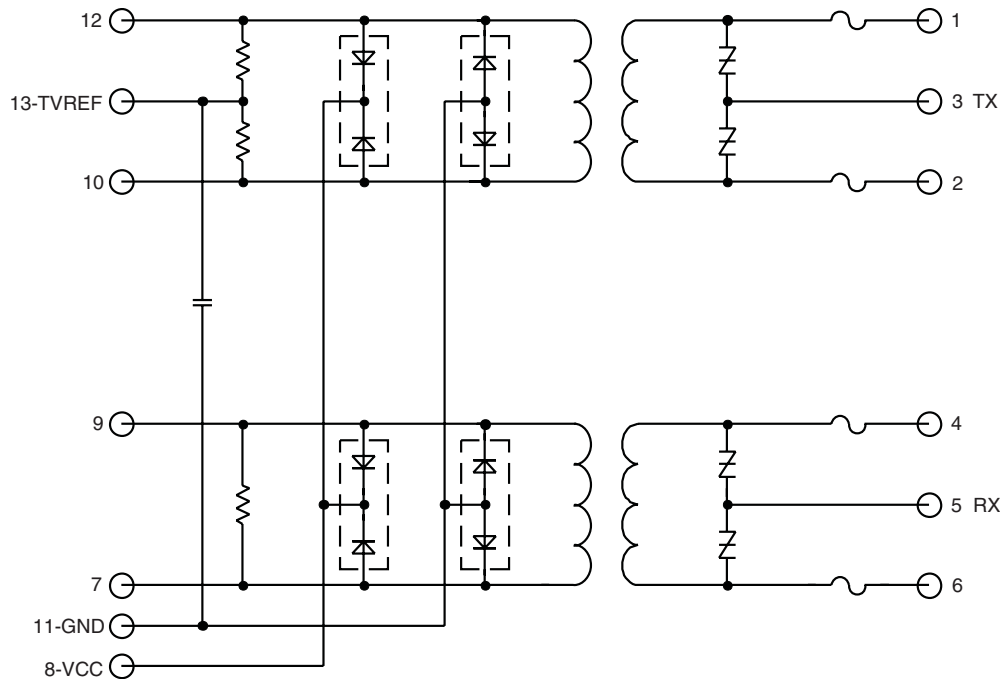
APC822xx

FEATURES

- Supports PMC Sierra single and quad chipsets for T1/E1 applications including PM4351 and PM4354
- Minimum board space requirement, ideal for multiple interface line cards
- Telcordia Technologies GR1089 compliant
- Approved to BSEN60950, basic insulation @ 250Vrms working voltage
- Designed to minimize board space requirements for line interface circuitry on the T1/E1 multichannel line cards
- Analog receive interface is configurable to operate both E1 and T1 short haul and long haul applications

SCHEMATIC

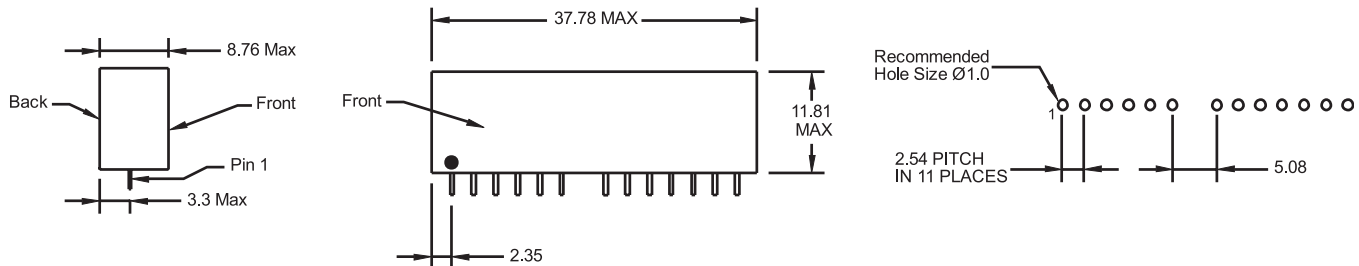
APC822xx



Part Number	PMC Sierra Chipset	Application	Voltage	Protection	R x T/R	T x T/R
82217	PM4351 / 4354	T1/E1 (Z0 = 100/120 ohm)	3.3V	Longitudinal	2.42	2.42
82218	PM4351 / 4354	E1 (Z0 = 75 ohm)	3.3V	Longitudinal	2.42	2.42
82219	PM4351 / 4354	T1/E1 (Z0 = 100/120 ohm)	3.3V	Metallic	2.42	2.42
82220	PM4351 / 4354	E1 (Z0 = 75 ohm)	3.3V	Metallic	2.42	2.42

MECHANICAL

APC822xx



NOTES: DIMENSIONS MM UNLESS OTHERWISE SPECIFIED
 ALL TOLERANCES +/- 0.010
 0.25

©2003 Bel Fuse Inc. Specifications subject to change without notice. 08.20.03

CORPORATE

Bel Fuse Inc.
 206 Van Vorst Street
 Jersey City, NJ 07302
 Tel 201-432-0463
 Fax 201-432-9542
 www.belfuse.com

FAR EAST

Bel Fuse Ltd.
 8F / 8 Luk Hop Street
 San Po Kong
 Kowloon, Hong Kong
 Tel 852-2328-5515
 Fax 852-2352-3706
 www.belfuse.com

EUROPE

Bel Stewart Connector
 45/46 Riverside
 Medway City Estate
 Rochester, Kent ME2 4DP U.K.
 Tel 44-1634-722890
 Fax 44-1634-716677
 www.belfuse.com