

INTEGRATED CONNECTOR MODULES

10Base-T belMag™ with LEDs

BM01823

- Shielded connector with integrated 10Base-T magnetics
- Compatible with a variety of 10Base-T transceiver ICs
- Operating temperature 0° to +70° C
- Storage temperature -40° to +85° C
- Reduced pin count for improved crosstalk and optimum PCB trace routing
- Complies with IEEE 802.3 standards and all 10Base-T Ethernet standards
- Integrated design conserves valuable board space
- Minimum interwinding breakdown voltage of 1500 Vrms
- Adaptable, modular design provides higher reliability

Available Options

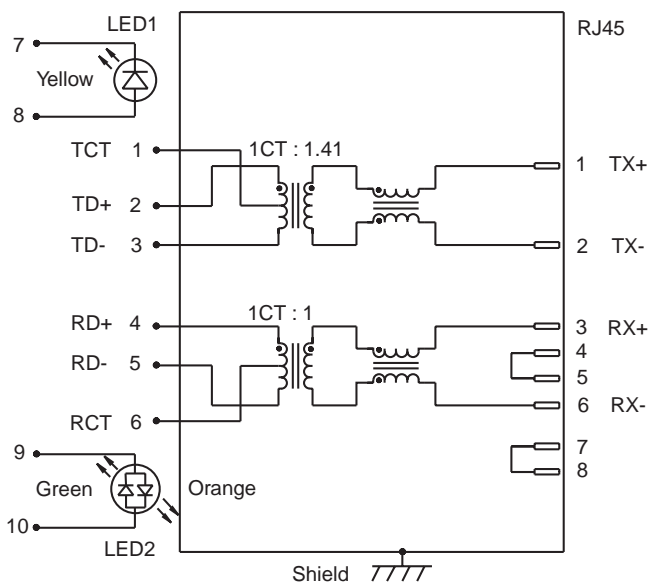
- Various transformer turns ratios
- Various LED color combinations

ELECTRICAL SPECIFICATIONS AT 25° C

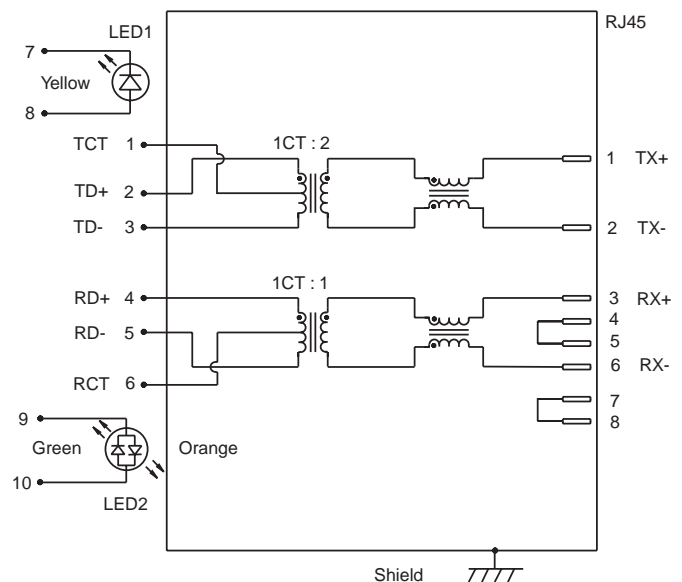
Part Number	Insertion Loss dB max	Return Loss dB min	Common to Common Mode Rejection dB min	Crosstalk dB min	OCL μH min
	1MHz to 10MHz	1MHz to 10MHz	10MHz to 30MHz	1MHz to 10MHz	
0810-1X1T-12	-1.0	-15	-40	-40	200
0810-1X1T-22	-1.0	-18	-30	-35	110

SCHEMATICS

0810-1X1T-12



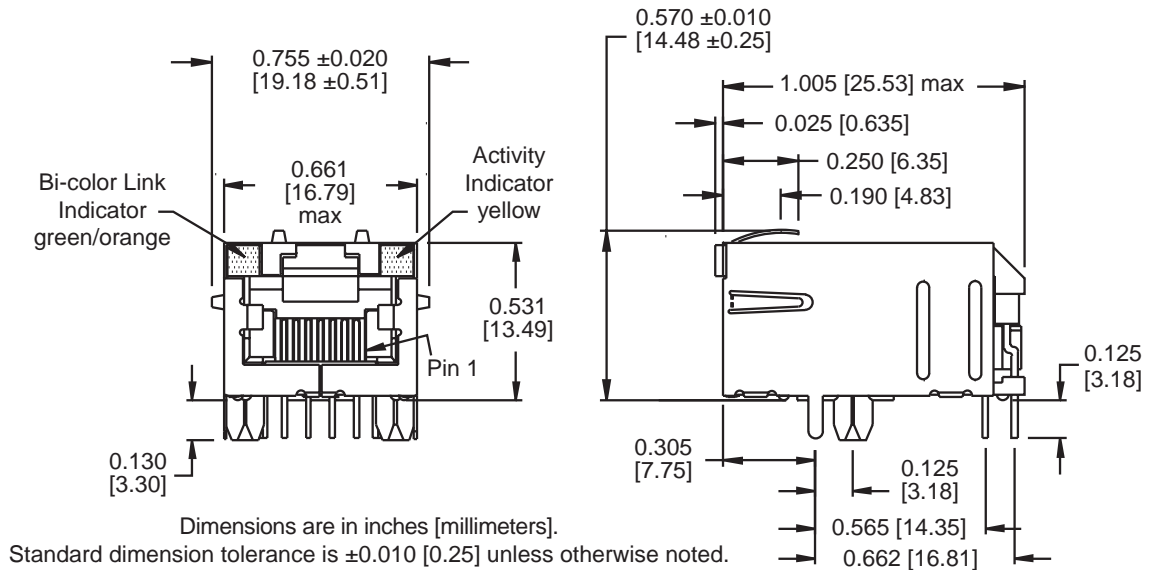
0810-1X1T-22



BM01823

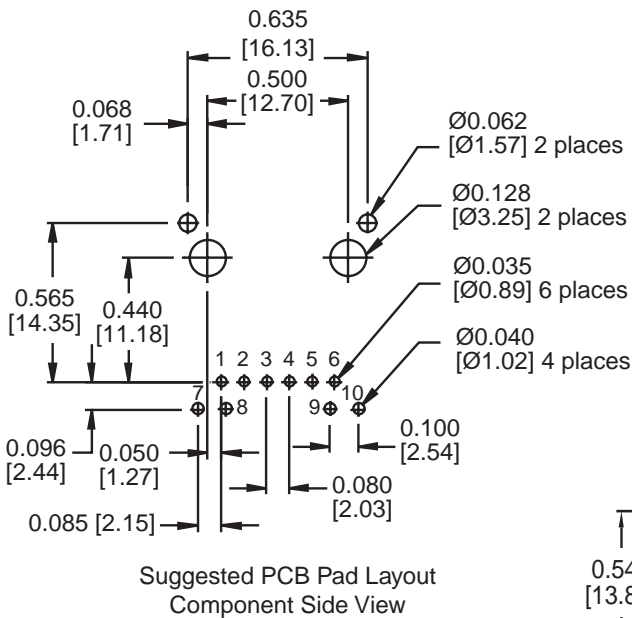
MECHANICAL

0810-1X1T-12
0810-1X1T-22



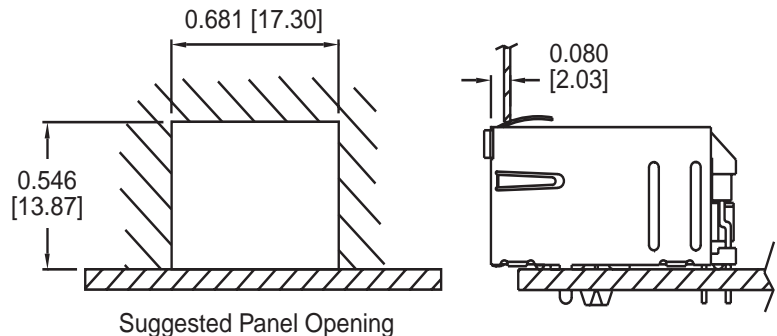
PAD LAYOUT

0810-1X1T-12
0810-1X1T-22



Notes

- | | |
|-----------------|---|
| Plastic Housing | Thermoplastic, flammability rating UL 94V-0 |
| Contacts | 50 micro-inch hard gold plating |
| Pins | Tin-coated copper wire, DIA 0.018" [0.46] |
| Solderability | Per MIL Std. 202, Method 208 |
| Metal Shield | Tin lead plated copper alloy |



©2001 Bel Fuse Inc. Specifications subject to change without notice. 08.01

CORPORATE

Bel Fuse Inc.
206 Van Vorst Street
Jersey City, NJ 07302
Tel 201-432-0463
Fax 201-432-9542
www.belfuse.com

FAR EAST

Bel Fuse Ltd.
8F / 8 Luk Hop Street
San Po Kong
Kowloon, Hong Kong
Tel 852-2328-5515
Fax 852-2352-3706
www.belfuse.com

EUROPE

Bel Fuse Europe Ltd.
Preston Technology Management Centre
Marsh Lane, Suite G7, Preston
Lancashire, PR1 8UD, U.K.
Tel 44-1772-556601
Fax 44-1772-888366
www.belfuse.com