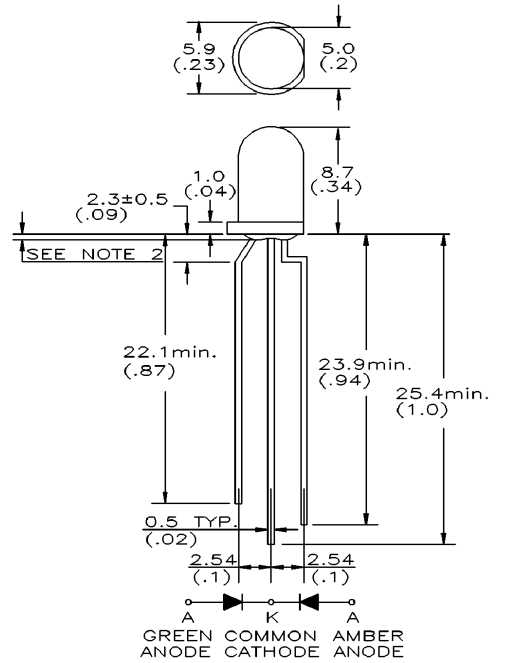


MT6224-OGD51

Features

- Bi-color LED lamp
- IC Compatible
- Low current requirements
- Reliable and rugged
- White diffused lens
- Lead Free
- High Intensity



Maximum Ratings (Ta=25°C)

Characteristic	Symbol	Max.		Unit
		UG	UBO	
Forward Current	IF	30	30	mA
Reverse Voltage	VR	5	5	V
Power Dissipation	PD	72.00	72.00	mW
Operating Temperature	Topr	-20 ~ +85	-25 ~ +85	°C
Storage Temperature	Tstg	-40 ~ +100	-40 ~ +100	°C
Soldering Temperature	Tsol	260	260	°C
Soldering Time	-	for 5 sec. max	for 5 sec. max	-

Notes :

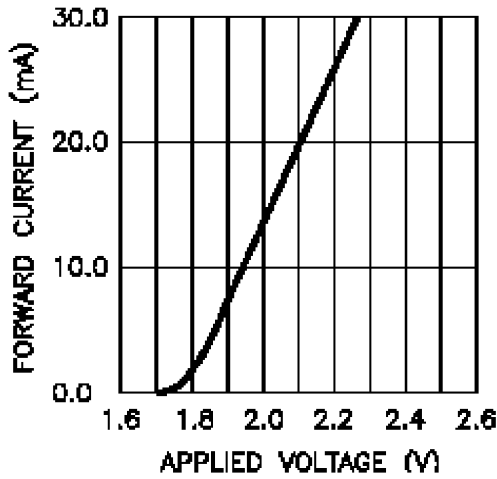
1. All dimensions are in millimeters (inches).
2. Protruded resin under flange is 1.0mm (.04")max.
3. Tolerance is ±0.25mm (0.10")unless otherwise noted.

Opto-Electrical Characteristics (Ta=25°C)

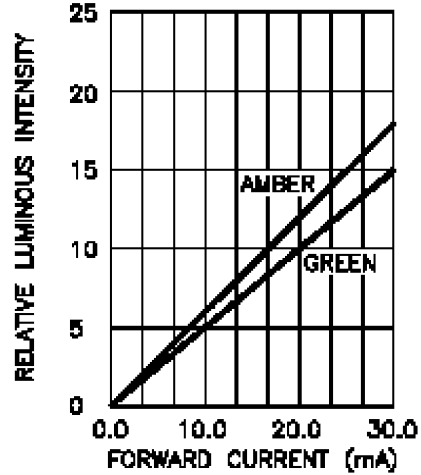
Characteristic	Symbol	Test Condition	Min		Typ		Max		Unit
			UG	UBO	UG	UBO	UG	UBO	
Forward Voltage	VF	IF=20mA	-	-	2.10	2.10	2.40	2.40	V
Reverse Current	IR	VR=5V	-	-	-	-	100	100	µA
Luminous Intensity	Iv	IF=20mA	6.00	7.00	10.00	12.00	-	-	mcd
Viewing Angle	2θ ^{1/2}	-	-	-	20°	20°	-	-	deg.
Peak Wavelength	λp	IF=20mA	-	-	574	611	-	-	nm
Dominant Wavelength	λd	IF=20mA	-	-	571	605	-	-	nm
Spectral Line Half Width	Δλ	IF=20mA	-	-	11	17	-	-	nm

MT6224-OGD51 Graphs

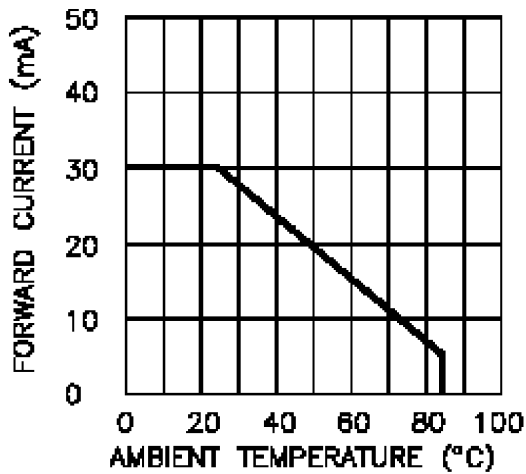
Typical Electrical / Optical Characteristics Curves :



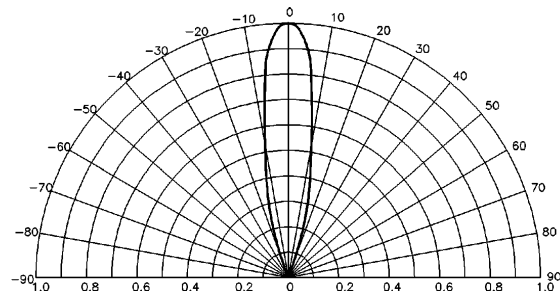
Forward Current vs. Forward Voltage



Forward Current vs. Relative Luminous Intensity



Ambient Temperature vs. Forward Current



Radiation Diagram