

Adaptive Alternator Voltage Regulator

The 33099 is designed to regulate the output voltage in diode-rectified alternator charging systems common to automotive applications. The 33099 provides either an analog or digital fixed frequency duty cycle (ON/OFF ratio) control of an alternator's field current. Load Response Control (LRC) of the alternator field current is accomplished by selecting the duty cycle for prevailing engine conditions to eliminate engine speed hunting and vibrations caused by abrupt torque loading of the engine owing to sudden electrical loads being applied to the system at low engine RPM. Four LRC rates are selectable by connecting pins 7 and 8 to ground.

The 33099 uses a feedback voltage to establish an alternator field current that is in harmony with system load currents. The output voltage is monitored by an internal voltage divider scheme and compared to an internal voltage ramp referenced to a bandgap voltage. This approach provides precision output voltage control over a wide range of temperature, electrical loads, and engine RPM.

Features

- External High-Side MOSFET Control of a Ground-Referenced Field Winding
- LRC Active During Initial Start
- V_{set} at ± 0.1 V @ 25°C
- <0.1 V Variation Over Engine Speeds of 2,000 to 10,000 RPM
- <0.2 V Variation Over 10% to 95% of Maximum Field Current
- Controlled MOSFET and Field Flyback Diode Recovery Characteristics for Minimum RFI
- Trimmed Devices Available at 14.6 V and 14.8 V (typical) V_{set}
- Pb-Free Packaging Designated by Suffix Code EG

33099

VOLTAGE REGULATOR



**DW SUFFIX
 EG SUFFIX (PB-FREE)
 98ASB42567B
 16-PIN SOICW**

ORDERING INFORMATION		
Device	Temperature Range (T _A)	Package
MC33099DW/R2	-40°C to 125°C	16 SOICW
MC33099CDW/R2		
MCZ33099EG/R2	-40°C to 125°C	16 SOICW (Pb-FREE)
MCZ33099CEG/R2		

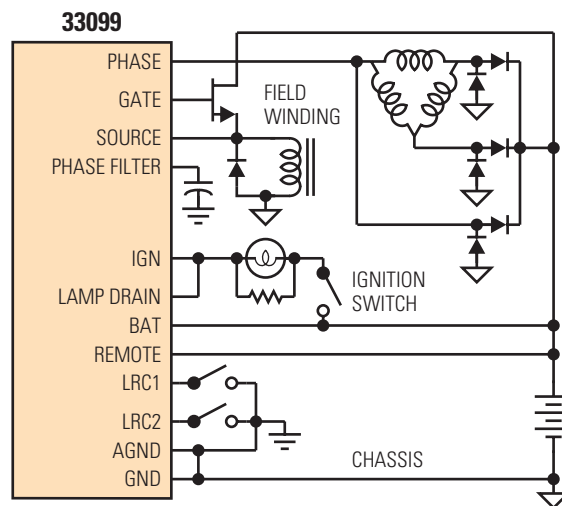


Figure 1. 33099 Simplified Application Diagram

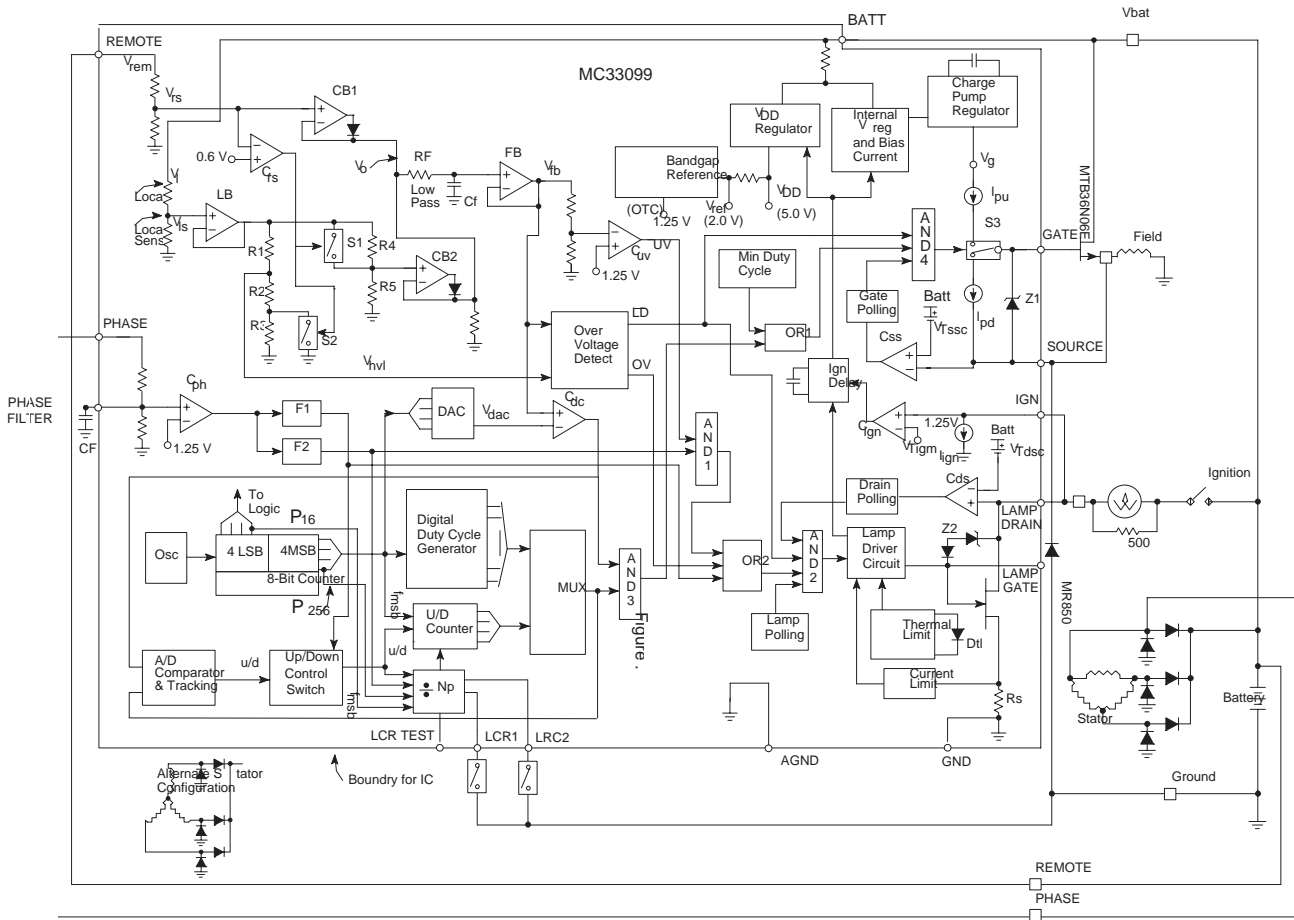


Figure 2. 33099 Simplified Internal Block Diagram

PIN CONNECTIONS

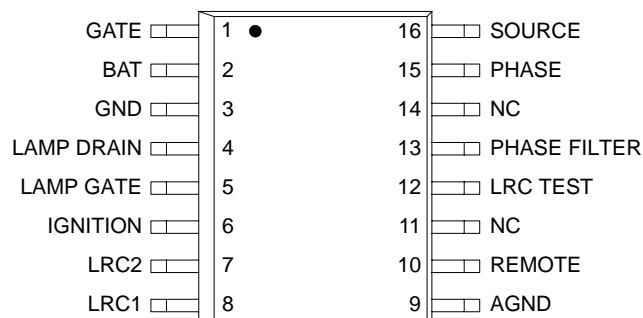


Figure 3. 33099 Pin Connections

Table 1. PIN Function Description

Pin Number	Pin Name	Formal Name	Definition
1	GATE	GATE DRIVE	Controls the GATE of the MOSFET to control the alternator field current.
2	BAT	BATTERY	Primary power connection to the system battery.
3	GND	GROUND	Source lamp current and digital ground.
4	LAMP DRAIN	LAMP DRAIN	Controls the Fault Lamp current.
5	LAMP GATE	LAMP GATE	Controls the Fault Lamp internal driver as an override function.
6	IGN	IGNITION	Controls the ON or OFF function of the regulator.
7 8	LRC2 LRC1	LOAD RESPONSE CONTROL 2 LOAD RESPONSE CONTROL 1	Inputs for selecting the LRC rate.
9	AGND	ANALOG GROUND	Ground connection for analog circuitry.
10	REMOTE	REMOTE	Provides for external Kelvin connection to system battery.
11, 14	NC	NO CONNECT	No internal connection to this pin.
12	LRC TEST	LOAD RESPONSE CONTROL TEST	Provides acceleration of LRC rate for testing.
13	PHASE FILTER	PHASE FILTER	Provides access to Phase Resistive Divider for External Phase Filter capacitance.
15	PHASE	PHASE SENSE INPUT	Input for phase voltage.
16	SOURCE	SOURCE	Coupled to source of MOSFET to provide a GATE voltage reference and to monitor for source shorts to ground.

ELECTRICAL CHARACTERISTICS

MAXIMUM RATINGS

Table 2. Maximum Ratings

All voltages are with respect to ground unless otherwise noted. Exceeding these ratings may cause a malfunction or permanent damage to the device.

Rating	Symbol	Value	Unit
ELECTRICAL RATINGS			
Power Supply Voltage	V_{BAT}	24	V
Load Dump Transient Voltage ⁽¹⁾	$+V_{MAX}$	40	
Negative Voltage ⁽²⁾	$-V_{MIN}$	-2.5	
ESD Voltage			V
Human Body Model ⁽³⁾	V_{ESD1}	±2000	
Machine Model ^{(3) (4)}	V_{ESD2}	±200	
THERMAL RATINGS			
Operating Junction Temperature	T_J	150	°C
Operating Ambient Temperature Range	T_A	-40 to 125	°C
Storage Temperature Range	T_{STG}	-45 to 150	°C
Power Dissipation and Thermal Characteristics			
Maximum Power Dissipation @ $T_A = 125^{\circ}C$	P_D	640	mW
Thermal Resistance, Junction-to-Ambient	$R_{\theta JA}$	85	°C/W
Peak Package Reflow Temperature During Reflow ^{(5), (6)}	T_{PPRT}	Note 6	°C

Notes

- 125 ns wide square wave pulse.
- Maximum time = 2 minutes.
- ESD1 testing is performed in accordance with the Human Body Model ($C_{ZAP}=100$ pF, $R_{ZAP}=1500$ Ω). ESD2 testing is performed in accordance with the Machine Model ($C_{ZAP}=200$ pF, $R_{ZAP}=0$ Ω).
- ESD2 voltage capability of PHASE FILTER pin is greater than 150 V. All other device pins are as indicated.
- Pin soldering temperature limit is for 10 seconds maximum duration. Not designed for immersion soldering. Exceeding these limits may cause malfunction or permanent damage to the device.
- Freescale's Package Reflow capability meets Pb-free requirements for JEDEC standard J-STD-020C. For Peak Package Reflow Temperature and Moisture Sensitivity Levels (MSL), Go to www.freescale.com, search by part number [e.g. remove prefixes/suffixes and enter the core ID to view all orderable parts. (i.e. MC33xxxD enter 33xxx)], and review parametrics.

STATIC ELECTRICAL CHARACTERISTICS

Table 3. Static Electrical Characteristics

Characteristics noted under conditions $7.0\text{ V} \leq V_{\text{SUP}} \leq 18\text{ V}$, $-40^\circ\text{C} \leq T_A \leq 125^\circ\text{C}$, $\text{GND} = 0\text{ V}$ unless otherwise noted. Typical values noted reflect the approximate parameter means at $T_A = 25^\circ\text{C}$ under nominal conditions unless otherwise noted.

Characteristic	Symbol	Min	Typ	Max	Unit
Regulation Voltage @ 50% Duty Cycle $V_{\text{rem}} = V_{\text{set}}$ or $V_{\text{rem}} < V_{\text{Trem}}$ MC33099 $V_{\text{rem}} = V_{\text{set}}$ or $V_{\text{rem}} < V_{\text{Trem}}$ MC33099C	V_{SET}	14.55 14.3	14.8 14.6	15.05 14.85	V
Regulation Voltage Range $10\% < \text{DC} < 95\%$	DVSET	–	210	300	mV
Regulation Voltage Temperature Coefficient (TC) $V_{\text{rem}} = V_{\text{bat}}$ or $V_{\text{rem}} < V_{\text{Trem}}$	TC(V_{SET})	-13	-11	-9	mV/°C
Power Up/Down IGN Threshold Voltage	V_{TIGN}	0.9	1.25	1.6	V
Operating Drain Current (Ignition ON) $V_{\text{ign}} > V_{\text{Tign}}$, $V_{\text{rem}} = V_{\text{ph}} = V_{\text{set}}$, $T_A = 25^\circ\text{C}$ $V_{\text{ign}} > V_{\text{Tign}}$, $V_{\text{rem}} = V_{\text{ph}} = V_{\text{set}}$, $-40^\circ\text{C} \leq T_A \leq 125^\circ\text{C}$	$I_{\text{Q1(ON)}}$ $I_{\text{Q2(ON)}}$	– –	6.5 6.5	8.0 8.4	mA
Standby Drain Current (Ignition OFF) $V_{\text{ign}} < V_{\text{Tign}}$, $V_{\text{ph}} = 0\text{ V}$, $V_{\text{rem}} = V_{\text{bat}} = 12.6\text{ V}$, $T_A = 25^\circ\text{C}$ $V_{\text{ign}} < V_{\text{Tign}}$, $V_{\text{ph}} = 0\text{ V}$, $V_{\text{rem}} = V_{\text{bat}} = 12.6\text{ V}$, $-40^\circ\text{C} \leq T_A \leq 125^\circ\text{C}$	$I_{\text{Q1(OFF)}}$ $I_{\text{Q2(OFF)}}$	– –	0.6 1.0	1.5 3.4	mA
Remote Loss Voltage Threshold	V_{TREM}	4.2	4.5	4.8	V
Phase Detection Threshold Voltage	V_{TPH}	3.75	4.0	4.25	V
Undervoltage Threshold Voltage $V_{\text{set}} = 14.8$ typical MC33099 $V_{\text{set}} = 14.6$ typical MC33099C	V_{TUV}	10.9 10.35	11.35 10.95	11.6 11.55	V
Overvoltage Threshold Voltage $V_{\text{set}} = 14.8$ typical MC33099 $V_{\text{set}} = 14.6$ typical MC33099C	V_{TOV}	16.15 15.8	16.65 16.4	17.15 17.0	V
Overvoltage Threshold Voltage TC	TC(V_{TOV})	–	-12.4	–	mV/°C
Load Dump Threshold Voltage $V_{\text{set}} = 14.8$ typical MC33099 $V_{\text{set}} = 14.6$ typical MC33099C	V_{TLD}	18.9 18.45	19.25 19.15	19.8 19.85	V
Load Dump Threshold Voltage TC	TC(V_{TLD})	–	-14.3	–	mV/°C
Secondary Regulation $V_{\text{set}} = 14.8$ typical MC33099 $V_{\text{set}} = 14.6$ typical MC33099C	V_{SET2}	18.0 17.65	18.5 18.15	18.8 18.75	V
Secondary Regulation TC	TC(V_{SET2})	–	-13.4	–	mV/°C
Secondary Load Dump Threshold Voltage $V_{\text{set}} = 14.8$ typical MC33099 $V_{\text{set}} = 14.6$ typical MC33099C	V_{TLD2}	23.5 23.5	24 23.85	25 24.65	V
Secondary Load Dump Threshold Voltage TC	TC(V_{TLD2})	–	-17.9	–	mV/°C

Table 3. Static Electrical Characteristics (continued)

Characteristics noted under conditions $7.0\text{ V} \leq V_{\text{SUP}} \leq 18\text{ V}$, $-40^\circ\text{C} \leq T_A \leq 125^\circ\text{C}$, $\text{GND} = 0\text{ V}$ unless otherwise noted. Typical values noted reflect the approximate parameter means at $T_A = 25^\circ\text{C}$ under nominal conditions unless otherwise noted.

Characteristic	Symbol	Min	Typ	Max	Unit
Lamp Drain Short Circuit Threshold Voltage ⁽⁷⁾	V_{TDSC}	1.8	2.25	2.85	V
Lamp Drain Short Circuit Current	I_{DSC}	2.0	2.5	3.0	Amps
Lamp Drain ON Voltage $I_{\text{lamp}} = 0.4\text{ A}$	$V_{\text{D(SAT)}}$	–	0.3	2.5	V
Lamp Drain-to-GATE Clamping Voltage	V_{DG}	–	48.48	55	V
Lamp GATE Override Resistance	R_{LG}	–	4.6	–	$\text{k}\Omega$
Lamp Driver Thermal Shutdown Temperature Limit ⁽⁷⁾	T_{LIM}	–	185	–	$^\circ\text{C}$
GATE Drive Source Current	I_{PU}	240	300	340	μA
GATE Drive Sink Current	I_{PD}	400	480	560	μA
GATE Drive GATE-to-Source Clamping Voltage	V_{GS}	10	12	15	V
Minimum Charge Pump GATE Drive Voltage $V_{\text{bat}} = V_{\text{source}} = V_{\text{set}}$	$V_{\text{G(MIN)}}$	21.5	23.4	–	V
Source Short Circuit Threshold Voltage	V_{TSSC}	1.85	2.3	2.75	V
Remote Input Resistance $V_{\text{rem}} = V_{\text{set}}$	R_{REM}	–	68	–	$\text{k}\Omega$
Phase Input Resistance $V_{\text{ph}} = V_{\text{set}}$	R_{PH}	–	60	–	$\text{k}\Omega$
IGN Input Pull-Down Current $V_{\text{ign}} = 1.25\text{ V}$	I_{IGN}	40	73	90	μA
LRC Input Current $V_{\text{lrc}} = 0\text{ V}$	I_{LRC}	35	45	55	μA

Notes

7. Not 100% tested.

DYNAMIC ELECTRICAL CHARACTERISTICS

Table 4. Dynamic Electrical Characteristics

Characteristics noted under conditions $7.0\text{ V} \leq V_{\text{SUP}} \leq 18\text{ V}$, $-40^\circ\text{C} \leq T_A \leq 125^\circ\text{C}$, $\text{GND} = 0\text{ V}$ unless otherwise noted.
 Typical values noted reflect the approximate parameter means at $T_A = 25^\circ\text{C}$ under nominal conditions unless otherwise noted.

Characteristic	Symbol	Min	Typ	Max	Unit
Duty Cycle Regulation Output Frequency $f_{\text{OSC}}/256$	F_{DC}	300	375	440	Hz
Phase Rotation Detection Frequency	F_1	44.28	49	53.8	Hz
Low/High RPM Transition Phase Frequency	F_2	267.5	296	325	Hz
GATE Duty Cycle at Startup and WOT $f_{\text{ph}} > f_2$	DC_{START}	30	31.25	34.5	%
Minimum GATE LRC Duty Cycle $f_{\text{ph}} < f_2$	$\text{DC}_{(\text{LRC})\text{MIN}}$	29	31.25	33.5	%
Minimum GATE Duty Cycle $V_{\text{bat}} > V_{\text{reg(max)}}$	DC_{MIN}	2.1	3.1	3.3	%
LRC Increasing GATE Duty Cycle Rate Low RPM Mode ($f_{\text{ph}} < f_2$) LRC1 at GND, LRC2 at GND LRC1 Open, LRC2 at GND LRC1 at GND, LRC2 Open LRC1 Open, LRC2 Open High RPM Mode ($f_{\text{ph}} > f_2$)	R_{LRC1} R_{LRC2} R_{LRC3} R_{LRC4} $R_{\text{LRC(MAX)}}$	– – – – –	9.31 12.45 18.71 37.42 616	– – – – –	%/s
Ignition Turn OFF Delay (Lamp ON)	$T_{\text{ID(OFF)}}$	–	10.2	–	ms
Lamp Short Circuit ON Polling Frequency	F_{LSC}	–	98.6	–	Hz
Lamp Short Circuit ON Duty Cycle	DC_{L}	–	1.56	–	%
Lamp OFF Polling Frequency	$F_{\text{L(OFF)}}$	–	98.6	–	Hz
Lamp Polling OFF Duty Cycle	$\text{DC}_{\text{L(OFF)}}$	–	1.56	–	%
Field Short Circuit ON Polling Frequency	F_{FSC}	–	98.6	–	Hz
Field Short Circuit Polling ON Duty Cycle	DC_{F}	–	1.56	–	%

FUNCTIONAL DESCRIPTION

INTRODUCTION

The 33099 is specifically designed for regulation of an automotive system voltage using diode-rectified alternator charging systems commonly found in automotive applications. The 33099 provides either an analog or digital duty cycle control of an ON/OFF ratio of an alternator field current at a fixed frequency. This provides for a Load Response Control (LRC) of the alternator field current at low engine RPM to eliminate engine speed hunting and vibration owing to abrupt torque loading of the engine when a sudden electrical load is applied to the system. Four LRC rates are selectable using a combination of pins 7 and 8 being connected to ground.

The 33099 provides a regulated voltage feedback system to activate the alternator field current in response to system load current. The output voltage is monitored by an internal voltage divider scheme and compared to an internal voltage ramp referenced to a bandgap voltage. The 33099 regulates the system voltage to 14.8 V for the DW suffix and to 14.6 V for the CDW suffix by generating a pulse width modulation (PWM) voltage waveform at the GATE of an external MOSFET to provide an average alternator field coil current as a function of the internal voltage comparison.

TYPICAL APPLICATIONS

INTRODUCTION

The 33099 is an alternator voltage regulator designed with internal level shifting resistors to control the voltage in a 12 V automotive system that uses a three-phase alternator with a rotating field winding. The system shown in [Figure 4](#) includes

an alternator with its associated field coil, stator coils and rectifiers, an automotive battery, a fault indicator lamp, an ignition switch, a field flyback diode, and the 33099.

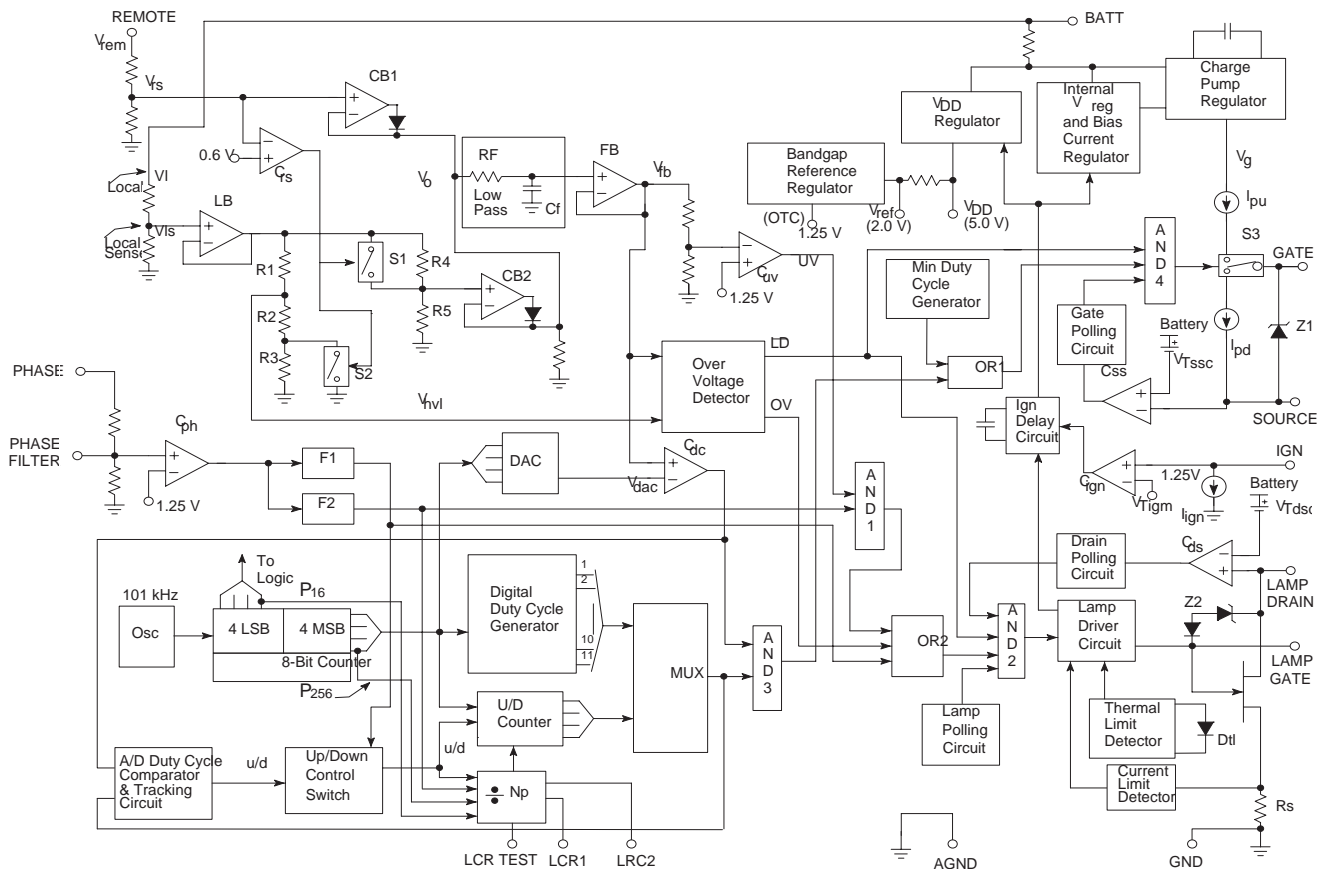


Figure 4. 33099 Simplified Application

The 12 V system voltage (V_{BAT}) is connected to a REMOTE input by a remote wire, which provides the IC regulator with an external Kelvin connection directly to the battery to provide REMOTE voltage, V_{rem} . The system voltage at the BAT pin is also sensed by an internal Local IC connection as Local voltage V_l . The Local connection is provided in the event the remote wire or remote connection becomes faulty such as being resistive, an open, or shorted to ground.

The PHASE input is normally connected to a tap on one corner of the alternator's stator winding, which provides an AC phase voltage (V_{ph}) for the IC to determine the rotational frequency (f_{ph}) of the alternator rotor. Two frequency comparators (F1 and F2) monitor voltage V_{ph} to determine a

phase rotation detection frequency (f_1) and a Low/High RPM transition phase frequency (f_2), respectively. A PHASE FILTER pin is provided for externally providing a filter capacitance for filtering phase input noise.

The regulated DC system set voltage (V_{set}) is achieved by employing feedback to compare a ratioed value of V_{set} to an internal IC bandgap voltage reference having a negative temperature coefficient (TC). The GATE drive of an external N-channel MOSFET is regulated by the IC to control the field current in the alternator field coil as an alternating ON or OFF state dependent on load current conditions affecting voltage V_{set} . The external MOSFET receives GATE-to-source voltage drive from between the GATE and SOURCE output pins of the IC. The GATE-to-source voltage is a Pulse Width

Modulated (PWM) waveform having a variable ON/OFF duty cycle ratio that is determined by an analog or a digital duty cycle control circuitry that responds to variations in the system voltage due to variations in system load current. The PWM waveform has a duty cycle regulation output frequency of about 395 Hz (f_{dc}) defined by an 8-bit division of an internal 101 kHz oscillator clock frequency (f_{osc}). The GATE voltage at the GATE pin is due to a charge pump GATE voltage (V_g) generated by voltage multiplication using an internal charge pump voltage regulator. The high GATE-to-source voltage applied to the external MOSFET during the ON cycle of the PWM waveform minimizes a low drain-to-source ON resistance ($R_{DS(ON)}$) and associated drain-to-source voltage $V_{d(SAT)}$ to maximize the field current while minimizing the associated power dissipation in the MOSFET.

A unique feature of the 33099 is the combinational use of analog and digital duty cycle controllers to provide a Load Response Control (LRC) duty cycle function when rotor frequency f_{ph} is less than frequency f_2 . A classic analog duty cycle function is provided at the GATE output when frequency f_{ph} is greater than frequency f_2 . During the LRC mode when $f_1 < f_{ph} < f_2$, a sudden decrease in the system voltage due to a sudden increase in system load current will cause the analog duty cycle to rapidly increase to as great as 100%. However, the LRC circuitry causes the digital duty cycle to increase to 100% at a controlled predetermined LRC rate and overrides the analog duty cycle. Thus the alternator response time is decreased in the LRC mode and prevents the alternator from placing a sudden high torque load on the automobile engine during this slow RPM mode. This can occur when a high current accessory is switched on to the 12 V system, producing a sudden drop in system voltage. When frequency f_{ph} is greater than frequency f_2 , the slow LRC response is not in effect and the analog duty cycle controller controls the PWM voltage waveform applied to the external MOSFET to regulate the system voltage. By selectively coupling the LRC1 and LRC2 pins to ground or leaving them open, the user can program four different LRC rates (R_{LRC1} - R_{LRC4}) from 9.37%/sec to 37.4%/sec. During an initial ignition ON and engine start-up, the LRC rate is also in effect to minimize alternator torque loading on the engine during start, even when a Wide Open Throttle (WOT) condition ($f_{ph} > f_2$) occurs.

An internal N-Channel MOSFET is provided on the IC to directly drive lamp current as a fault indicator. The fault lamp is connected between the low side of the ignition switch and the LAMP DRAIN pin of the IC. A fault is indicated during an undervoltage battery condition when frequency f_{ph} is greater than frequency f_2 , during an overvoltage battery condition, and when frequency f_{ph} is less than frequency f_1 . Frequency $f_{ph} < f_1$ when an insufficient alternator output voltage results or a slow or non-rotating rotor occurs due to a slipping or broken belt. An external LAMP GATE pin is also provided for the internal lamp driver to allow the user to override the internal IC fault logic and externally drive the internal lamp drive MOSFET.

When a loose wire or battery pin corrosion causes the Remote voltage to decrease but is not a Remote Open condition, the system voltage will increase, causing an

overvoltage Lamp fault indication, and is regulated at a secondary value of about 18.5 V.

During a system load dump condition, load dump protection circuitry prevents GATE-to-source drive to the external MOSFET and to the internal lamp drive MOSFET. This ensures that neither the field current nor the lamp current is activated during load dump conditions. A drain-to-GATE voltage clamp is also provided for the internal lamp driver for further protection of this driver during load dump.

An ignition pin (IGN) is provided to activate the regulator from the standby mode into a normal operating mode when the ignition switch is ON and an ignition voltage (V_{ign}) is greater than a power up/down ignition threshold voltage (V_{Tign}). When the ignition switch is OFF, voltage V_{ign} is less than voltage V_{Tign} , and the regulator is switched into a low current standby mode, when frequency $f_{ph} < f_1$. The IGN pin can either be coupled to the low side of the ignition switch or to the low side of the lamp. When the IGN pin is connected to the low side of the lamp, the lamp must be shunted by a resistor to ensure that ignition ON is sensed, even with an OPEN lamp fault condition. When the lamp is ON, lamp current is polled OFF periodically at an ignition polling frequency in order for the IGN pin to periodically sense that the ignition voltage is high even though the lamp is ON. An ignition input pull-down current (I_{ign}) is provided to pull voltage V_{ign} to ground when the IGN pin is OPEN or terminated on a high resistance.

Two ground pins are provided by the 33099 to separate sensitive analog circuit ground (AGND) from noisy digital and high-current ground (GND).

ALTERNATOR REGULATOR BIASING AND POWER UP/DOWN

The biasing of the regulator is derived from the BAT pin voltage V_{bat} . In the normal operating mode when the ignition switch is ON and voltage V_{ign} is greater than V_{Tign} (about 1.25 V), a 5.0 V V_{DD} voltage regulator biases the IC logic and provides bias to a bandgap shunt voltage regulator. The bandgap regulator maintains a reference voltage (V_{ref}) of approximately 2.0 V with an internal negative temperature coefficient (-TC) as well as a 1.25 V Zero Temperature Coefficient (OTC) reference voltage. Additional bias currents and reference voltages, including a charge pump GATE voltage V_g , are also generated from voltage V_{bat} . The typically ignition ON drain current ($I_{Q1(on)}$) is about 6.5 mA at 25°C. When the ignition switch is OFF and voltage V_{ign} is less than V_{Tign} , the regulator is in a low current standby mode, having a standby drain current of about 0.7 mA ($I_{Q1(off)}$) at 25°C. During the sleep mode, some internal voltage regulators and bias currents are either terminated or minimized. However, the V_{DD} regulator and the bandgap voltage regulator continue to maintain voltages V_{DD} for the logic, the 2.0 V V_{ref} , and the 1.25 V reference voltage. In addition, all logic is reset in the standby mode.

After switching the ignition switch to the ON position, voltage V_{ign} will exceed voltage V_{Tign} , causing comparator C_{ign} to switch states, providing an ignition-ON signal to the Ignition Delay circuit. After an Ignition start Delay Time of 500 ms, the Ignition Delay circuit activates additional current

for the V_{DD} regulator and activates all other voltage regulators and bias currents. After engine start, the LRC mode is activated, independent of the phase frequency or independent of a Wide Open Throttle condition. When the battery system voltage increases to V_{set} , the regulator resumes the normal operational mode. After switching the ignition switch to the OFF position, voltage V_{ign} decreases below voltage V_{Tign} , causing the comparator C_{ign} to provide an ignition-OFF signal to the Ignition Delay Circuit. After phase frequency $f_{ph} < f_1$ due to ignition turn OFF, supply currents and voltages are reduced in the regulator to provide the standby drain current drain. However, voltage V_{DD} for logic and voltage V_{ref} for reference voltages remain active to be able to sense an ignition input voltage.

In some applications, the ignition input is connected to the low side of the fault lamp as shown in [Figure 4](#), page 9. When the lamp driver circuitry is generating a lamp ON signal, a lamp polling signal causes the Lamp Drain output to be periodically GATED OFF. As a result, voltage $V_{ign} > V_{Tign}$ during the lamp OFF polling period, causing comparator C_{ign} to periodically provides an ignition-ON signal to the Ignition Delay Circuit. During the Lamp On condition, the Ignition Delay Circuit provides a minimum ignition turn-off delay ($t_{id(off)}$) such that all currents and regulator voltages remain ON between the Lamp Off polling pulses.

BATTERY AND ALTERNATOR OUTPUT VOLTAGE SENSING

The system battery voltage is directly sensed by the REMOTE input using a remote wire as a Kelvin connection. The Remote input resistance (R_{rem}) at the REMOTE input is typically 68 k Ω . The voltage at the Remote Sense input (V_{rs}) is a ratioed value of the Remote voltage (V_{rem}). The intended ratio of V_{rem}/V_{rs} is about 7.45. The BAT pin voltage (V_{bat}) is also sensed as an internal Local voltage (V_l). A Local Sense voltage (V_{ls}) is a ratioed value of voltage V_l , where the intended ratio of V_l/V_{ls} is also 7.45. The Local internal connection is provided for fault protection against the remote wire being grounded or exhibiting a high remote wire resistance due to being disconnected or due to a corrosive or loose connection. Thus the Local connection ensures that alternator regulation of the system voltage continues in well-defined states for all possible Remote input fault conditions.

LOCAL AND REMOTE VOLTAGE PROCESSING AND SWITCHING

During Remote operation both the external Remote input connection and internal Local connection senses approximately the same regulated system voltage of $V_{set} = 14.8$ V. For this case, voltages V_{rs} and V_{ls} are approximately 2.0 V. Because the remote switching comparator C_{rs} is referenced to 0.6 V, both switches S1 and S2 are OPEN and remain open when voltage $V_{rs} > 0.6$ V or when voltage V_{rem} is greater than the remote loss threshold voltage (V_{Trem}). Voltage V_{rs} is coupled to the input of a unity-gain combiner/buffer CB1. Voltage V_{ls} is buffered and coupled to the output of a unity-gain Local Buffer (LB) and ratioed by the R5/(R4+R5) resistor divider to provide an input voltage to a unity-gain combiner/buffer CB2. Thus the voltage at the input of

the combiner CB2 is normally $0.8 V_{ls}$ (or 1.6 V typically), while voltage V_{rs} on the input of CB1 is typically 2.0 V. Because voltage V_o reflects the highest voltage at the input of either combiner, voltage V_o will be voltage V_{rs} in Remote operation with Remote connected to V_{bat} . For this case, voltage V_{rs} is filtered by a 300 Hz low-pass filter and translated to the FB buffer output. Voltage V_{rs} at the FB buffer output is then compared to a digital-to-analog converter output voltage ramp (V_{dac}) for duty cycle regulation.

During a Remote fault condition when the remote sense line is OPEN or grounded, voltage V_{rs} at the Remote Sense input will be zero, causing comparator C_{rs} to activate switches S1 and S2 to a CLOSED position. As a result, voltage V_{ls} is coupled through buffer LB directly to the input of combiner CB2. Because the voltage V_{ls} on the input of combiner CB2 is greater than voltage $V_{rs} (= 0$ V) on the input of combiner CB1, voltage V_{ls} is coupled to the output of the combiners as voltage V_o . Thus in this fault case, voltage V_{ls} is filtered and translated to the FB buffer output for being compared to voltage ramp V_{dac} for regulation.

During a remote fault condition in which the resistance of the Remote sense wire increases due to the corrosion or a loose connection, a finite external remote fault resistance occurs causing voltage V_{rem} to decrease, but voltage V_{rem} remains greater than voltage V_{Trem} . As a result, switches S1 and S2 remain in an OPEN condition, while the system voltage will increase due to the effective increase in the Remote resistor divider ratio. As a result, voltage V_l increases until the voltage at the input of combiner CB2 is approximately 2.0 V, or V_{ls} is about 1.2 (2.0 V), or 2.25 V due to the R4/R5 divider ratio. Because the local divider ratio translates voltage V_{ls} to V_{bat} by about factor 7.4, the final regulated output voltage for this condition is 7.4 (2.25), or 18.5 V. This is the secondary regulation voltage (V_{set2}). When the system voltage increases to the Overvoltage Threshold (V_{TOV}), a fault indication occurs by the lamp. Thus this particular Remote fault condition produces a fault indication, but regulates to prevent an extreme system overvoltage condition. When the Remote fault resistance becomes great enough to cause voltage $V_{rem} < V_{Trem}$, the regulated system voltage returns to the local regulation as described for an OPEN or grounded Remote input.

INTERNAL CLOCK OSCILLATOR AND 8-BIT COUNTER

An internal clock oscillator is provided having a typical oscillation frequency (f_{osc}) of 101 kHz. The output of the oscillator is coupled to an 8-bit counter that provides 8 counting bits to the logic and the four most significant counting bits (MSB) to the LRC circuitry and to a digital-to-analog converter (DAC) waveform generator. The output MSB frequency (f_{msb}) of the 8-bit divider is about 395 Hz ($f_{msb} = f_{osc}/256$), which determines the PWM frequency at the GATE output. An external LRC TEST pin is provided for accelerating internal testing of the LRC function and logic. Under normal operation, the LRC TEST pin is grounded by an internal 10 k Ω resistance to ground. Under accelerated test conditions, the LRC TEST voltage is 5.0 V, and a fourth bit ($f_{osc}/16$) from the 8-bit divider is used to determine the

PWM GATE frequency. Thus, the rates are accelerated by a factor of 16.

LOW-PASS FILTER, DAC, AND ANALOG DUTY CYCLE REGULATOR COMPARATOR

The output voltage V_o of combiners CB1 and CB2 is coupled to an input of a 300 Hz low-pass filter (R_f , C_f) to remove high-frequency components of system noise at V_{bat} and thus associated with voltages V_{IS} , or V_{RS} . The output of the low-pass filter is coupled to a unity-gain buffer FB that provides a filter buffer FB output.

The 4 MSBs of the 8-bit counter causes the DAC to generate a 4-bit 395 Hz voltage waveform having 16 descending 1.75 mV steps, ramping from V_{ref} to [$V_{ref} - 28$ mV], where V_{ref} is the 2.0 V reference voltage.

An analog duty cycle comparator (C_{dc}) compares the DAC output voltage waveform to the voltage at the FB output (V_{fb}). When voltage V_{fb} is less than voltage [$V_{ref} - 28$ mV], comparator C_{dc} outputs a logic [1], for a 100% duty cycle. When voltage V_{fb} is greater than V_{ref} , comparator C_{dc} outputs a logic [0] for a 0% duty cycle. When ($V_{ref} - 28$ mV) < V_{fb} < V_{ref} , comparator C_{dc} outputs a duty cycle defined by the High/Low output voltage ratio for each period (about 2.54 ms) of the DAC output voltage waveform.

BASIC SYSTEM VOLTAGE REGULATION

From a system voltage regulation viewpoint, the voltages V_{rem} and V_l from the Remote or Local connections, respectively, are scaled to the Remote Sense and Local Sense inputs as voltages V_{RS} and V_{IS} respectively and transferred to the FB output as voltage V_{fb} . Voltage V_{fb} is compared to the DAC output voltage waveform to generate the ON and OFF time of the analog duty cycle waveform. When voltage V_{fb} is less than $V_{ref} - 28$ mV, the output of comparator C_{dc} is in a high state. This high state propagates through an AND3 GATE, an OR1 GATE, and an AND4 GATE to activate switch S3, generating a fully ON or High GATE drive voltage. When voltage V_{fb} is greater than V_{ref} , the output of comparator C_{dc} is in a low state. This low state propagates through the AND3 GATE, the OR1 GATE, and the AND4 GATE to activate switch S3 to generate a fully OFF or low GATE drive voltage. Assuming voltage V_{ref} is 2.0 V and $V_{fb} = V_{RS}$, and the local or remote input resistive scale factor is 7.45, the external MOSFET provides a fully ON field current when the system voltage is less than 7.45 ($V_{ref} - 28$ mV), or 14.6 V. The field current is also fully OFF when the system voltage is greater than 7.45 (V_{ref}), or 14.9 V. When voltage V_{fb} is less than any portion of the DAC waveform voltage, comparator C_{dc} output is high to produce an ON field current. When voltage V_{fb} is greater than any portion of the DAC waveform voltage, comparator C_{dc} output is low to produce an OFF field current. Thus the system feedback will regulate the PWM duty cycle of the field current from 0% to 100% over about a 210 mV system regulation voltage range (dVreg). The system voltage is centered at 14.8 V, where a 50% duty cycle field current results for an average system load current, and the duty cycle regulation

frequency is ($f_{osc}/256$), or 395 Hz. Since voltage V_{ref} has a negative TC, voltage V_{set} will also have a regulation voltage temperature coefficient (TC_{Vreg}) of about -11 mV/°C.

INPUT PHASE AND FREQUENCY SWITCH RESPONSE

The phase voltage V_{ph} results from the alternator's stator AC output voltage being applied to the PHASE input pin. A phase detection threshold voltage (V_{Tph}) is approximately 4.0 V due to the 1.25 V phase reference voltage for the phase comparator (C_{ph}) and the 3.22 voltage ratio associated with the phase input resistor divider. The phase input resistance (R_{ph}) is typically 60 k Ω . A PHASE FILTER pin is coupled to the input of Comparator C_{ph} , providing for an external phase filter capacitance when filtering of high frequency phase noise is desired. A typical value of .003 μ F to AGND provides for an input phase 3.0 db roll-off frequency of about 10 kHz. Comparator C_{ph} also provides about 480 mV of hysteresis at the PHASE input pin. Comparator C_{ph} further provides a phase signal binary output voltage having a phase frequency of f_{ph} and is applied to digital frequency switches F1 and F2. Switch F1 outputs a logic [1] when frequency f_{ph} is less than phase detection frequency f_1 . Frequency f_1 is equal to frequency $f_{msb}/8$, or 49.3 Hz for a 101 kHz oscillator frequency. Switch F2 outputs a logic [1] when the frequency f_{ph} is greater than the low/high transition frequency f_2 . Frequency f_2 is equal to frequency $3f_{msb}/4$, or 296 Hz for a 101 kHz oscillator frequency. These frequency switches are used to define the Load Response Control region of operation, an undervoltage at a high RPM fault condition, and a low RPM fault condition due to a broken or loose belt.

LOAD RESPONSE CONTROL (LRC)

The LRC circuit consists of a digital duty cycle generator, an analog/digital (A/D) duty cycle comparator and tracking circuit, an up/down control switch, an up/down (U/D) counter, a programmable divider (N_p), and a multiplexer (MUX). During normal operation, the LRC circuit becomes active and generates digital duty cycle control of the GATE drive when frequency f_{ph} is less than frequency f_2 ($f_1 < f_{ph} < f_2$). The slow LRC response becomes inactive and the analog duty cycle controls the GATE drive when frequency f_{ph} is greater than frequency f_2 ($f_1 < f_{ph} < f_2$). During initial ignition and initial engine start, the LRC response is in effect, independent of frequency f_{ph} , until system voltage is regulating at voltage V_{set} .

The digital duty cycle generator receives the 4 MSBs from the 8-bit counter as input and generates 11 discrete digital duty cycles on 11 output lines. The frequency of each duty cycle waveform is about 395 Hz (f_{msb}), which results from the MSB of the 8-bit division of the 101 kHz OSC clock frequency. The minimum duty cycle on the first output line is 31.25% and the maximum duty cycle on the eleventh output line is 93.75%. The duty cycle difference between each incremental duty cycle is 6.25%. All 11 duty cycle generator output lines are coupled as data inputs to the MUX.

Normally the programmable divider N_p divides frequency f_{msb} by a counter divide ratio N and applies the f_{msb}/N frequency as input to the U/D counter. Divide ratio N can be pre-selected by the user for four different divide ratios by switching a combination of the LRC1 and LRC2 normally open pins to ground. An LRC input current (I_{LRC}) from each LRC pin to ground is about 45 μ A. The phase frequency f_{ph} and an up/down (u/d) state on a u/d line from the up/down control switch determines ratio N . In the LRC mode when $f_{ph} < f_2$, a high, or up, state on the u/d line causes divider N_p to output a frequency of f_{msb}/N , or 395 Hz/ N . The LRC1 and LRC2 pin combinations produce N divide ratios of 66, 132, 198, and 264. When the u/d line is in the down, or low, state, divider N_p provides a divide ratio of $f_{msb}/4$, or 395 Hz/4. When $f_{ph} > f_2$, the output frequency of divider N_p is always $f_{msb}/4 = 395$ Hz/4, independent of the state of the u/d input line.

The u/d line from the up/down control switch determines the direction of the count as well as the divide ratio N . For an up state on the u/d line, the output of the 4-bit U/D counter increments up at a rate of 5.98 Hz (count change every 167 ms) for $N=66$, 2.99 Hz (count change every 334 ms) for $N=132$, 1.99 Hz (count change every 502 ms) for $N=198$, or 1.496 Hz (count change every 671 ms) for $N=264$. For a down state on the u/d line, the output of the 4-bit U/D counter decrements at a rate of about 99 Hz (count decrement about every 10 ms). The 4-bit output lines of the up/down counter are coupled as control inputs of the MUX.

The MUX couples one of the 11 digital duty cycle input lines to the MUX output dependent upon the 4-bit control inputs from the U/D counter. When the MUX control input count is 0, the first 31.25% digital duty cycle is selected and provided at the MUX output. When the control input count is 10, the eleventh 93.75% digital duty cycle is selected at output of the MUX. A MUX control input of 11 produces a 100% duty cycle at the MUX output. Thus each of the MUX input lines is selected and provided at the MUX output and incremented to the next line at a rate dependent on the rate the MUX control inputs increment. For an up state on the u/d line, the digital duty cycle at the output of the MUX will increment from 31.24% to 100% in 11 steps at a rate from 167 ms/step (or a fourth LRC rate (R_{LRC4}) of 37.42%/sec) to 671 ms/step (or a first LRC rate (R_{LRC1}) of 9.31%/sec) dependent on the LRC1 and LRC2 pin terminations. For a down state on the u/d line, the digital duty cycle will count down at a rate of about 10 ms/step change.

The A/D duty cycle comparator and tracking circuit receives the analog duty cycle from comparator C_{dc} and the digital duty cycle from the MUX output. The A/D duty cycle comparator provides a high, or up (u), output when the analog duty cycle is greater than the digital duty cycle, and a low, or down (d), output when the analog duty cycle is less than the digital duty cycle.

In the LRC mode when frequency $f_1 < f_{ph} < f_2$, the up/down control switch enables the u/d output of the A/D duty cycle comparator to be coupled to the u/d line. In the steady state, the A/D duty cycle comparator will provide an u/d input to the U/D counter and N_p divider to increase or decrease the

digital duty cycle to track the analog duty cycle. If the analog duty cycle increases to a value greater than the digital duty cycle at a rate that is greater than the selected LRC digital duty cycle rate, the A/D duty cycle comparator will output an up signal on the u/d line to cause the digital duty cycle to increase to the analog duty cycle at the selected LRC digital duty cycle rate. If the analog duty cycle decreases to a value less than the digital duty cycle, the A/D duty cycle comparator will output a down signal on the u/d line to cause the digital duty cycle to decrease to the analog duty cycle at a fixed rate of about 10 ms/step. For an analog duty cycle less than 31.25%, the down count at the output of the U/D counter will remain at 0 and the digital duty cycle will remain at 31.25%.

If frequency f_{ph} is less than frequency f_1 ($f_{ph} < f_1$), then the up/down control switch will provide a down signal on the u/d line independent of the duty cycle comparator u/d output. The resulting down count of 0 to the MUX control input for $f_{ph} < f_1$ will cause the digital duty cycle to be constant at 31.25% and provides a divide ratio of $f_{msb}/4$ as the input frequency to the U/D counter.

When approximately 5.0 V is applied to the LRC TEST pin, divider N_p utilizes the $f_{osc}/16$ frequency as input to the divider instead of the normal $f_{osc}/256$ frequency. As a result, the LRC function is accelerated by a factor of 16, which allows the testing of all LRC associated rates to be accelerated by a factor of 16. During normal LRC operation, the LRC pin is in a low ground state, having an internal 10 k Ω pull-down resistor.

The duty cycle output of the AND3 GATE reflects the minimum duty cycle at the AND3 GATE inputs. Thus when the analog duty cycle exceeds the digital duty cycle, the digital duty cycle becomes the controlling duty cycle at the AND3 GATE output. When the analog duty cycle is less than the digital duty cycle, the analog duty cycle becomes the controlling duty cycle at the AND3 GATE output. Thus in the LRC mode when $f_1 < f_{ph} < f_2$, an increasing step response in the analog duty cycle from 0% to 100% will cause the duty cycle at the output of the AND3 GATE to increase rapidly from 0% to 31.25% and then increase slowly at the LRC rate from 31.25% to 100%. If the analog duty cycle provides a step increase from a duty cycle greater than 31.25%, then the resulting LRC duty cycle increase from the initial analog duty cycle at the output of the AND3 GATE. For a decreasing step response in the analog duty cycle, the output of the AND3 GATE will rapidly follow the decreasing analog duty cycle. The output of the AND3 GATE drives the GATE output (and the field current) through an OR1 GATE, an AND4 GATE, and switch S3. Thus the minimum GATE LRC duty cycle ($DC_{(LRC)min}$) is 31.25%.

A 0% analog duty cycle will produce a 0% duty cycle at the output of the AND3 GATE. However, the output of the AND3 GATE is ORed with a 3.1% minimum duty cycle signal from the minimum duty cycle generation at the OR1 GATE input to provide a minimum 3.1% duty cycle to the AND4 GATE input. This provides the resulting minimum GATE duty cycle (DC_{min}) of 3.1% at the GATE output, even though the analog duty cycle is 0%.

When the phase frequency is greater than frequency f_2 ($f_{ph} > f_2$), the N divide factor is reduced to 4. As a result, the LRC circuitry still functions as previously described, but the rate of digital duty cycle increase or decrease is a maximum LRC rate ($R_{LRC(max)}$) of about 10 ms/step. Thus a step increase in the analog duty cycle from 31.25% to 100% will cause about a 110 ms delay before the digital duty cycle provides a 100% duty cycle at the output of the AND3 GATE (and GATE drive).

The conditions for LRC response also occur during an initial engine start up period after engine cranking even when a WOT condition occurs ($f_{ph} > f_2$). When the ignition switch is turned ON, comparator C_{ign} is activated, activating all biasing into the normal state and activating the start-up LRC mode. After engine cranking and immediately after initial engine start up, the system BATTERY voltage is generally low while a WOT condition occurs. For this case, the slow LRC response is in effect to prevent excessive torque loading on the engine by the alternator during engine start up. The GATE duty cycle at start-up with WOT (DC_{start}) is the minimum LRC duty cycle and will increase at the LRC rate. Once the system voltage returns to voltage V_{set} , the normal LRC response will occur as previously described.

FIELD COIL DRIVE AND DEVICE PROTECTION

The external MOSFET provides PWM drive current from the system BATTERY to the field coil for system voltage regulation. The GATE-to-Source voltage for this MOSFET is provided by the IC's GATE-to-SOURCE pin drive voltage. During the ON state, the AND4 GATE activates switch S3 to couple the GATE drive pull-up source current (I_{pu}) to the GATE output. Current I_{pu} drives the GATE of the MOSFET to the charge pump GATE voltage V_g (typically 23 V), causing the MOSFET to drive the field coil pin to near the system BATTERY voltage. Voltage V_g has a minimum charge pump GATE voltage ($V_{g(min)}$) of 21.5 V. This high GATE-to-Source voltage minimizes power dissipation in the external MOSFET by minimizing a Drain-to-Source ON resistance ($R_{DS(ON)}$) of the MOSFET during the ON state. This results in a typical Lamp Drain ON voltage ($V_{d(sat)}$) of about 0.3 V at a Lamp Drain current of 400 mA as measured from the LAMP DRAIN pin to ground. During the OFF state, the AND4 GATE activates switch S3 to couple a GATE drive pull-down sink current (I_{pd}) to the GATE output. Current I_{pd} pulls the GATE voltage to the Source voltage, turning OFF the MOSFET and its associated field coil current. The limited GATE current drive of the MOSFET GATE capacitance reduces the magnitude and frequency of the high-frequency components associated with the GATE duty cycle waveform, minimizing RFI. Zener diode Z1 is employed to provide a GATE-to-Source clamping voltage (V_{gs}), which limits and protects the GATE-to-Source voltage of the external MOSFET.

When the external MOSFET fails to increase the source (or field coil pin) voltage to within a source short circuit threshold voltage (V_{TSSC}) of the BATTERY pin voltage ($V_{TSSC} < [V_{bat} - V_{source}]$), a shorted-source comparator C_{SS} outputs a short circuit signal to a GATE polling circuit. A shorted field coil to ground is an example of this fault

condition. This GATE polling circuit provides short GATE polling pulses to the AND4 GATE to allow the IC to test for an unshorted condition without damaging the external MOSFET. The polling duty cycle is 1.56%, or about a 158 μ s ON pulse at a frequency of $f_{msb}/4$, or 98.6 Hz. When the source shorting condition is removed, comparator C_{SS} provides a no-short signal to the GATE polling circuitry, which provides a logic [1] to the AND4 GATE, which then operates normally.

The AND4 GATE is also driven by the no load dump (\overline{LD}) line from the Overvoltage Detector circuitry. Thus during a load dump system overvoltage condition, a logic [0] is provided to the AND4 GATE from the Overvoltage Detector circuit and all GATE drive is terminated.

A flyback diode MR850 is externally provided to limit the negative source voltage on the field pin (and the SOURCE pin) caused by a turn-OFF transition of the field current. The forward current through this diode is approximately the peak field current prior to field current turn OFF.

FAULT LAMP INDICATOR—DRIVE AND PROTECTION

The fault indicator lamp is driven by an internal N-channel MOSFET lamp driver, which controls the lamp current. The lamp is coupled between the ignition switch and the LAMP DRAIN pin of the lamp driver. The Lamp GATE of the lamp driver is driven by the lamp driver circuitry or from an external LAMP GATE pin. Inputs to the lamp driver circuitry are from an output of an AND2 GATE, an output of a thermal limit circuit, and an output of a current limit circuit. By applying an external Lamp GATE override voltage (V_{go}) to the LAMP GATE pin (5), the Lamp Drain current will increase, providing lamp current independent of the lamp driver logic state. When the lamp driver circuitry is forcing the lamp driver OFF, the LAMP GATE pin resistance to ground will be about 4.6 k Ω . The source of the lamp driver is coupled to ground through an internal current sense resistor R_s . When the lamp is ON, the Lamp Drain ON voltage ($V_{d(sat)}$) is the Lamp Drain-to-ground voltage measured at 400 mA of Lamp Drain current.

Normally, current flows through the lamp driver (and lamp), indicating a fault when the output of the AND2 GATE is a logic [1]. Assuming the lamp is not shorted, is not being current limited, is not in the thermal shut down mode, and the system is not in a load dump mode, the lamp ON current is controlled by the output of the OR2 GATE. The output of the OR2 GATE is a logic [1] and the lamp will normally be ON when the UV (undervoltage) line and the F2 output line are both a logic [1] state, indicating an undervoltage condition when frequency $f_{ph} > f_2$. The output of the OR2 GATE is also a logic [1] when the output of the OV (overvoltage) line is a logic [1], indicating an overvoltage condition, or the output of the F1 line is also a logic [1], indicating a loss of phase signal ($f_{ph} < f_1$) due to a broken phase wire, broken or slipping belt, or otherwise failed alternator or open field circuit.

When the lamp current exceeds a lamp drain short circuit current (I_{dsc}), the voltage across resistor R_s will exceed a current limit threshold voltage associated with the current limit circuitry. As a result, a signal is sent to the lamp driver

circuitry to limit the lamp drive and regulates the lamp current to current I_{dsc} . When the power dissipation of the lamp driver causes the temperature of the lamp driver to exceed a thermal shut-down temperature limit (T_{Lim}), a temperature sensing diode (D_{\dagger}) causes the thermal limit circuitry to send a signal to the lamp driver circuitry to limit the lamp drive current and reduce the power dissipation and resulting device temperature. When the lamp driver is ON, but the Lamp Drain pin voltage is not below the BAT pin voltage V_{bat} by at least a lamp drain short circuit threshold voltage (V_{Tdsc}) or $(V_{bat} - V_{drain}) < V_{Tdsc}$, comparator C_{ds} will output a lamp short circuit signal to the Drain Polling circuit to indicate a lamp shorted condition. The Drain Polling circuit provides a low duty cycle polling output to the input of the AND2 GATE to poll the lamp driver ON, continuously testing for a lamp short without damaging the lamp driver. The polling duty cycle is 1.56%, (or about a 158 μ s ON pulse) at a frequency of $f_{msb}/4$, or 98.6 Hz. After the lamp short has been removed, the comparator C_{ds} outputs a lamp not-short signal to the Drain Polling circuitry, which provides a logic [1] to the AND2 GATE, which then operates normally.

Lamp polling is also present when the lamp is ON. In this case, lamp polling turns OFF the lamp for a short period of time with the lamp being ON for the remainder of the time. In this case the lamp ON duty cycle is 98.44% (or OFF for 158 μ s) at a frequency of $f_{msb}/4$, or 98.6 Hz. This causes the lamp voltage on the lamp drain pin to be greater than ignition threshold voltage V_{Tign} for at least 158 μ s of a 10.1 ms period. During the lamp ON mode, the Ignition Turn Off Delay of the Ignition Delay circuit is greater than the 10.1 ms period. As a result, the regulator biasing remains ON even when the IGN pin is coupled to the LAMP DRAIN pin and the lamp drain voltage is less than voltage V_{Tign} most of the time when the lamp is ON.

The lamp driver is also protected from load dump, since during load dump, the \overline{LD} signal is a logic [0], preventing the AND2 GATE from activating the lamp driver. In addition, a drain-to-GATE clamp device Z2 limits the drain-to-GATE clamping voltage (V_{dg}) to about 40 V typically.

UNDERVOLTAGE, OVERVOLTAGE, AND LOAD DUMP PROTECTION

An undervoltage, overvoltage and load dump condition is sensed by the regulator to generate fault indications and to

protect the regulator and associated external devices. As previously discussed, a load dump signal during load dump will prevent GATE drive to the external MOSFET and prevent GATE drive to the lamp driver. Thus the external and internal MOSFETs will turn OFF during a system load dump. As previously discussed, the undervoltage and overvoltage signals are also provided for fault indications.

The undervoltage signal is provided on the UV line by an undervoltage comparator C_{uv} having a voltage reference of 1.25 V and a resistor divider voltage transfer of 1.26 from the FB output to comparator C_{uv} input. When voltage V_{fb} on the FB output becomes less than 1.52 V, the voltage at input to comparator C_{uv} becomes less than 1.25 V, causing comparator C_{uv} to output an undervoltage UV signal. Because voltage V_{fb} is ideally voltage V_{rs} (or voltage V_{ls}), and the ratio of V_r/V_{rs} (or V_l/V_{ls}) is 7.45, the UV signal will occur when the system voltage at the Remote input (or Local input) is less than an undervoltage threshold voltage (V_{Tuv}), or 11.35 V. However, GATE AND1 ensures that frequency f_{ph} must be greater than f_2 before an undervoltage Fault is indicated by the lamp.

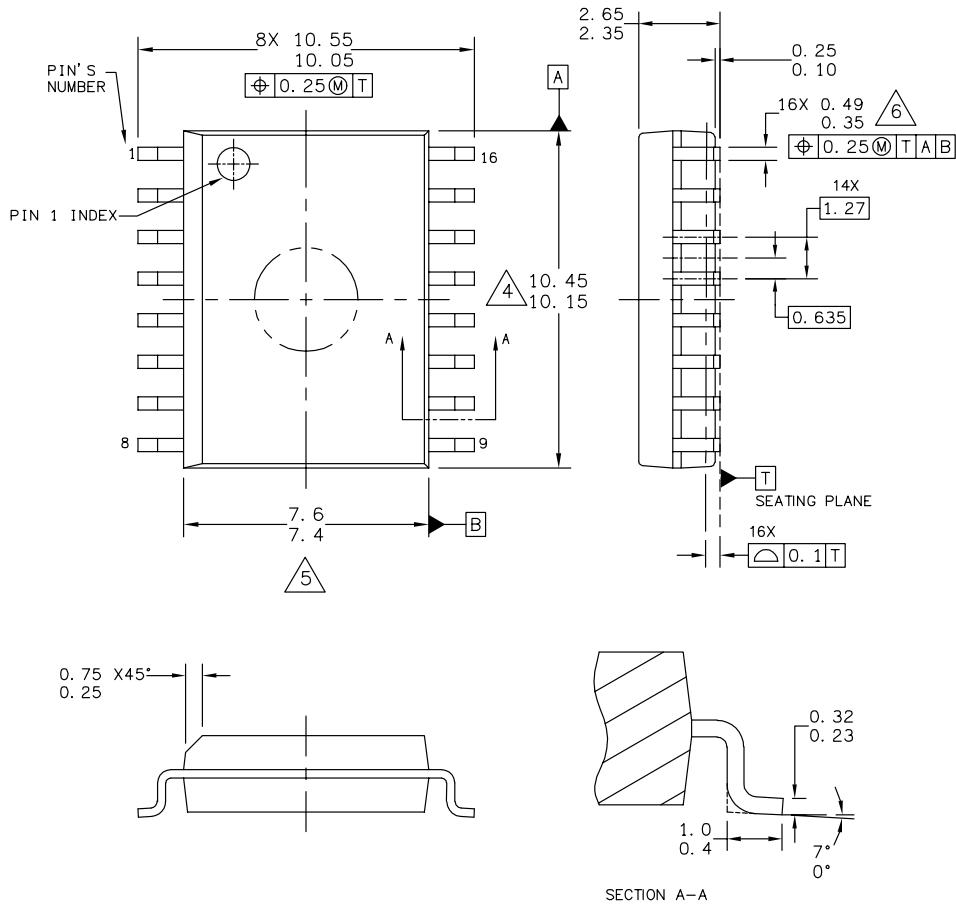
The load dump and overvoltage detection also utilizes similar resistor dividers and voltage comparators in an Overvoltage Detect circuitry where all comparators are referenced to voltage V_{ref} , or about 2.0 V. When voltage V_{fb} on the FB output is greater than 2.58 V, or $1.29 V_{ref}$ ($V_{fb}/V_{ref} = 1.29$), an output load dump signal of a logic [0] is generated on the \overline{LD} line. Thus during load dump, voltage V_{rs} (or V_{local}) will be about 2.58 V, and the actual load dump threshold voltage (V_{Tld}) will be about 19.25 V, or $1.3 V_{set}$. When voltage V_{fb} on the FB output is greater than $1.117 V_{ref}$ ($V_{fb}/V_{ref} = 1.117$), an output overvoltage signal is generated on the OV line. Thus voltage V_{rs} (or V_l) will be about 2.235 V, and the actual overvoltage threshold voltage (V_{ToV}) will be about 16.65 V, or $1.125 V_{set}$.

The regulator also indicates an overvoltage condition on the system during the Remote fault condition when the remote wire resistance increases to a finite value and the system voltage is being regulated by secondary regulation at V_{set2} . When a load dump occurs during secondary regulation, the load dump threshold increases to $1.3 V_{set2}$, or about 24 V.

PACKAGING

PACKAGE DIMENSIONS

For the most current package revision, visit www.freescale.com and perform a keyword search using the "98A" listed below.



© FREESCALE SEMICONDUCTOR, INC. ALL RIGHTS RESERVED.	MECHANICAL OUTLINE	PRINT VERSION NOT TO SCALE	
TITLE: 16LD SOIC W/B, 1.27 PITCH CASE-OUTLINE	DOCUMENT NO: 98ASB42567B	REV: F	
	CASE NUMBER: 751G-04	02 JUN 2005	
	STANDARD: JEDEC MS-013AA		

DW SUFFIX
EG SUFFIX (PB-FREE)
16-PIN
PLASTIC PACKAGE
98ASB42567B
ISSUE F

REVISION HISTORY

REVISION	DATE	DESCRIPTION OF CHANGES
5.0	6/2006	<ul style="list-style-type: none">• Added Revision History page• Converted to Freescale format• Update to prevailing form and style
6.0	1/2007	<ul style="list-style-type: none">• Updated the data sheet to the current form and style• Added MCZ33099EG/R2 and MCZ33099CEG/R2 to the Ordering Information block.• Removed Peak Package Reflow Temperature During Reflow (solder reflow) parameter from Maximum ratings on page 4.• Added notes to Maximum ratings on page 4

How to Reach Us:

Home Page:

www.freescale.com

Web Support:

<http://www.freescale.com/support>

USA/Europe or Locations Not Listed:

Freescale Semiconductor, Inc.
Technical Information Center, EL516
2100 East Elliot Road
Tempe, Arizona 85284
+1-800-521-6274 or +1-480-768-2130
www.freescale.com/support

Europe, Middle East, and Africa:

Freescale Halbleiter Deutschland GmbH
Technical Information Center
Schatzbogen 7
81829 Muenchen, Germany
+44 1296 380 456 (English)
+46 8 52200080 (English)
+49 89 92103 559 (German)
+33 1 69 35 48 48 (French)
www.freescale.com/support

Japan:

Freescale Semiconductor Japan Ltd.
Headquarters
ARCO Tower 15F
1-8-1, Shimo-Meguro, Meguro-ku,
Tokyo 153-0064
Japan
0120 191014 or +81 3 5437 9125
support.japan@freescale.com

Asia/Pacific:

Freescale Semiconductor Hong Kong Ltd.
Technical Information Center
2 Dai King Street
Tai Po Industrial Estate
Tai Po, N.T., Hong Kong
+800 2666 8080
support.asia@freescale.com

For Literature Requests Only:

Freescale Semiconductor Literature Distribution Center
P.O. Box 5405
Denver, Colorado 80217
1-800-441-2447 or 303-675-2140
Fax: 303-675-2150
LDCForFreescaleSemiconductor@hibbertgroup.com

RoHS-compliant and/or Pb-free versions of Freescale products have the functionality and electrical characteristics of their non-RoHS-compliant and/or non-Pb-free counterparts. For further information, see <http://www.freescale.com> or contact your Freescale sales representative.

For information on Freescale's Environmental Products program, go to <http://www.freescale.com/epp>.

Information in this document is provided solely to enable system and software implementers to use Freescale Semiconductor products. There are no express or implied copyright licenses granted hereunder to design or fabricate any integrated circuits or integrated circuits based on the information in this document.

Freescale Semiconductor reserves the right to make changes without further notice to any products herein. Freescale Semiconductor makes no warranty, representation or guarantee regarding the suitability of its products for any particular purpose, nor does Freescale Semiconductor assume any liability arising out of the application or use of any product or circuit, and specifically disclaims any and all liability, including without limitation consequential or incidental damages. "Typical" parameters that may be provided in Freescale Semiconductor data sheets and/or specifications can and do vary in different applications and actual performance may vary over time. All operating parameters, including "Typicals", must be validated for each customer application by customer's technical experts. Freescale Semiconductor does not convey any license under its patent rights nor the rights of others. Freescale Semiconductor products are not designed, intended, or authorized for use as components in systems intended for surgical implant into the body, or other applications intended to support or sustain life, or for any other application in which the failure of the Freescale Semiconductor product could create a situation where personal injury or death may occur. Should Buyer purchase or use Freescale Semiconductor products for any such unintended or unauthorized application, Buyer shall indemnify and hold Freescale Semiconductor and its officers, employees, subsidiaries, affiliates, and distributors harmless against all claims, costs, damages, and expenses, and reasonable attorney fees arising out of, directly or indirectly, any claim of personal injury or death associated with such unintended or unauthorized use, even if such claim alleges that Freescale Semiconductor was negligent regarding the design or manufacture of the part.

Freescale™ and the Freescale logo are trademarks of Freescale Semiconductor, Inc. All other product or service names are the property of their respective owners.

© Freescale Semiconductor, Inc., 2007. All rights reserved.