

**Infrared Emitting Diode KEL1004D**

**Description**

The KEL1004D is a high-power GaAs IRED mounted in a clear plastic package. This LED emits infrared light through two plastic lenses on both sides of the package is ideally suited for use with camcorder tape start-end sensors.

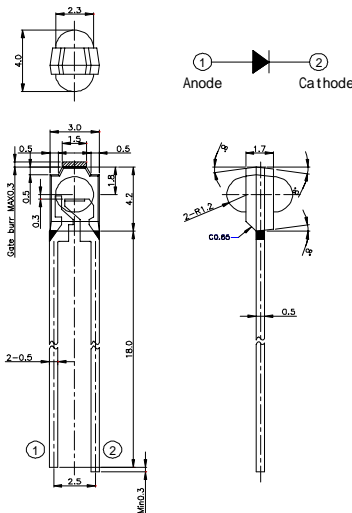


**Features**

- Compact
- Low profile package
- Sidelooking(two-way) plastic package
- Long-lead type

**Application**

- Camcorder tape start-end sensor



**Characteristics**

[Ta= 25°C ]

Description	Symbol	Condition	Min.	Typ.	Max.	Unit
Forward Current	$I_F$		-	50	-	mA
Reverse Voltage	$V_R$		-	5	-	V
Power Dissipation	$P_D$		-	75	-	mW
Radiant intensity	$P_O$	$I_F=20mA$	-	2.5	-	mW
Forward Voltage	$V_F$	$I_F=20mA$	-	1.2	2.0	V
Peak Wavelength	$\lambda_p$	$I_F=20mA$	-	940	-	nm
Half Angle	$\Delta\theta$		-	-	-	deg.