

Customer Name	Standard specification	FUJITSU MEDIA DEVICES LIMITED	
Application	IF Filter for TV(PIF+SIF)		
System	M/N		
Picture Carrier Frequency	58.75 MHz	DATE	Jun. 27 2003
FMD Part Number	F811CPL	Version 1.3	

Table 1-1 Electrical Specification (Ta=25°C)

Video Channel						
Items	Conditions	Specification			Unit	Remarks
		Min.	Typ.	Max.		
Insertion Loss	fp-1.75 (57.08 MHz)	13.5	15.0	16.5	dB	
Relative level	fp-6.0 (52.83 MHz)	–	-49	-42	dB	
	fp-4.5 (54.33 MHz)	–	-25	-18	dB	
	fp-3.58 (55.25 MHz)	-1.9	-0.9	0.1	dB	
	fp-1.75 (57.08 MHz)	–	0	–	dB	Reference
	fp (58.83 MHz)	-6.2	-5.2	-4.2	dB	
	fp+1.5 (60.33 MHz)	–	-52	-42	dB	
	45.08 ~ 52.83 MHz	–	-38	-30	dB	
	60.33 ~ 65.08 MHz	–	-42	-30	dB	
Group delay	fp-3.58 (55.25 MHz)	–	113	–	ns	
	fp-3.0 (55.83 MHz)	–	88	–	ns	
	fp-2.0 (56.83 MHz)	–	47	–	ns	
	fp-1.0 (57.83 MHz)	–	42	–	ns	
	fp (58.83 MHz)	–	0	–	ns	Reference
Input Capacitance	Cin (1.0 MHz)	–	20.2	–	pF	
Output Capacitance	Cout(V) (1.0 MHz)	–	3.5	–	pF	
Temperature coefficient		–	-72	–	ppm/°C	

Customer Name	Standard specification	FUJITSU MEDIA DEVICES LIMITED	
Application	IF Filter for TV(PIF+SIF)		
System	M/N		
Picture Carrier Frequency	58.75 MHz	DATE	Jun. 27 2003
FMD Part Number	F811CPL	Version 1.3	

Table 1-2 Electrical Specification (Ta=25°C)

Sound Channel						
Items	Conditions	Specification			Unit	Remarks
		Min.	Typ.	Max.		
Insertion Loss	fp-4.5 (54.33 MHz)	12.5	14.5	16.5	dB	
Relative level	fp-6.0 (52.83 MHz)	–	-30	-25	dB	
	fp-4.5 (54.33 MHz)	–	0	–	dB	Reference
	fp-3.58 (55.25 MHz)	–	-18	-12	dB	
	fp (58.83 MHz)	–	-39	-30	dB	
	fp+1.5 (60.33 MHz)	–	-37	-30	dB	
	45.08 ~ 52.83 MHz	–	-29	-25	dB	
	60.33 ~ 65.08 MHz	–	-32	-27	dB	
	Input Capacitance	Cin (1.0 MHz)	–	20.2	–	pF
Output Capacitance	Cout(s) (1.0 MHz)	–	4.4	–	pF	
Temperature coefficient		–	-72	–	ppm/°C	

Customer Name	Standard specification	FUJITSU MEDIA DEVICES LIMITED	
Application	IF Filter for TV(PIF+SIF)		
System	M/N		
Picture Carrier Frequency	58.75 MHz	DATE	Jun. 27 2003
FMD Part Number	F811CPL	Version 1.3	

● **Dimensions**

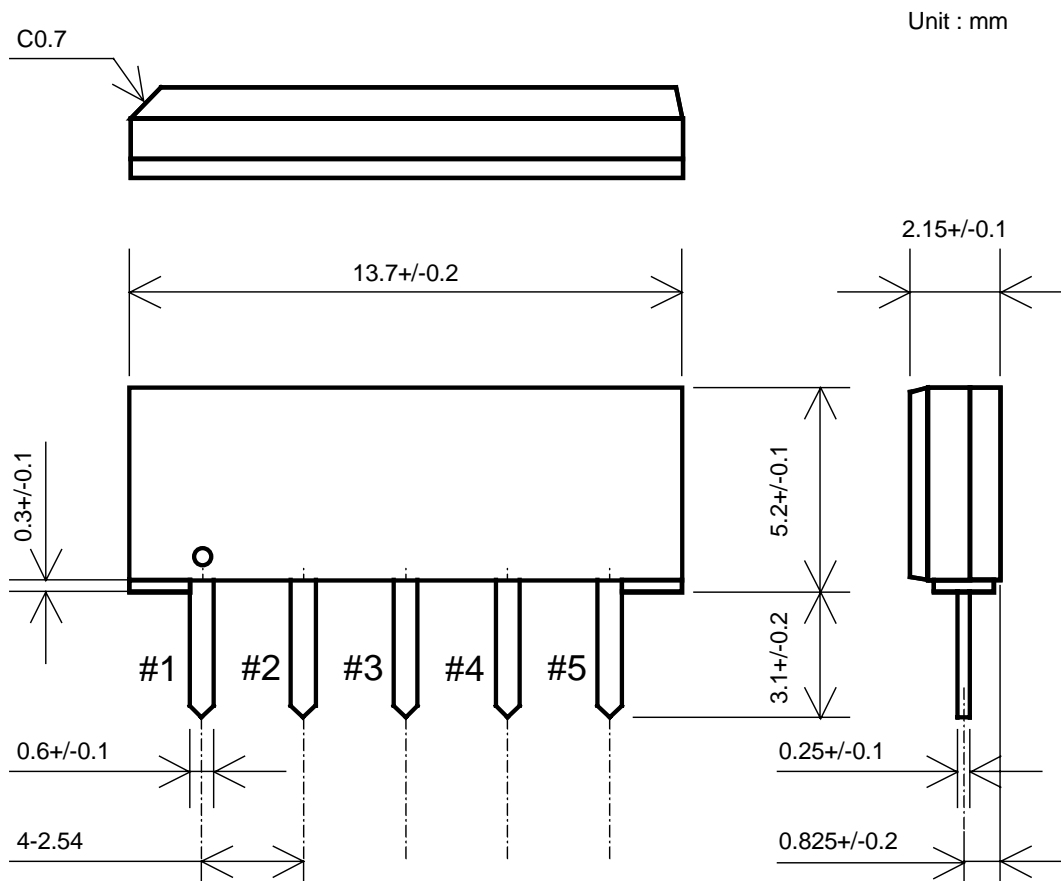


Fig.1

● **Pin Configuration**

Table 2

Pin No.	Symbol	Function
#1	IN	Input
#2	GND	Ground
#3	OUT(S)	Output(Sound)
#4	OUT(V)	Output(Video)
#5	OUT(V)	Output(Video)

Customer Name	Standard specification	FUJITSU MEDIA DEVICES LIMITED	
Application	IF Filter for TV(PIF+SIF)		
System	M/N		
Picture Carrier Frequency	58.75 MHz	DATE	Jun. 27 2003
FMD Part Number	F811CPL	Version 1.3	

● **Evaluation Circuit**

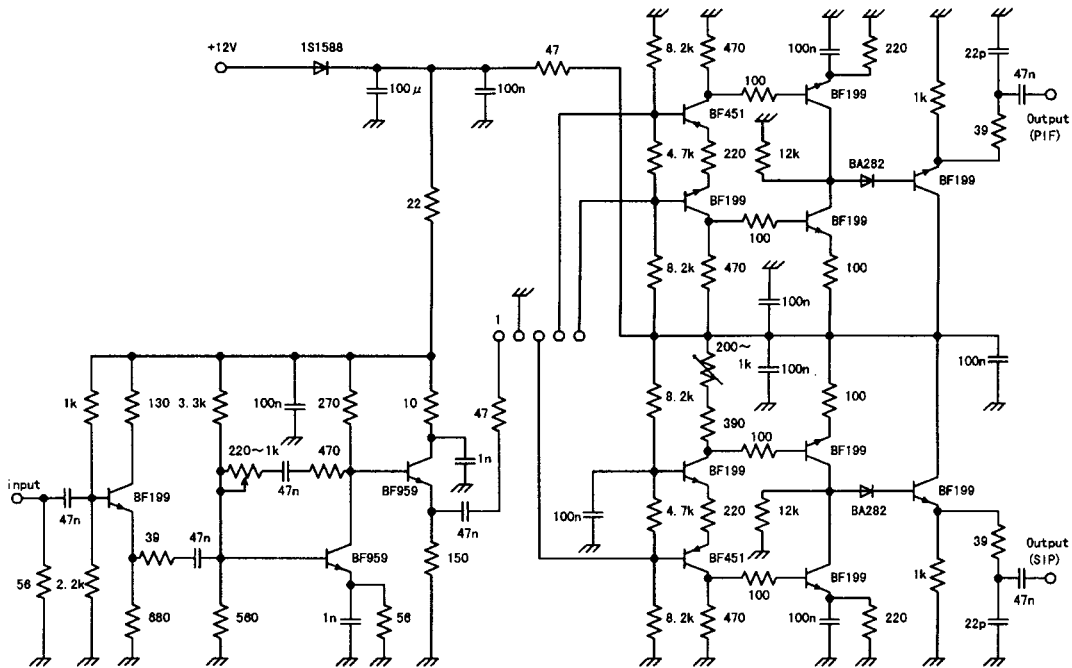


Fig.2 Evaluation circuit

● **Equivalent Circuit**

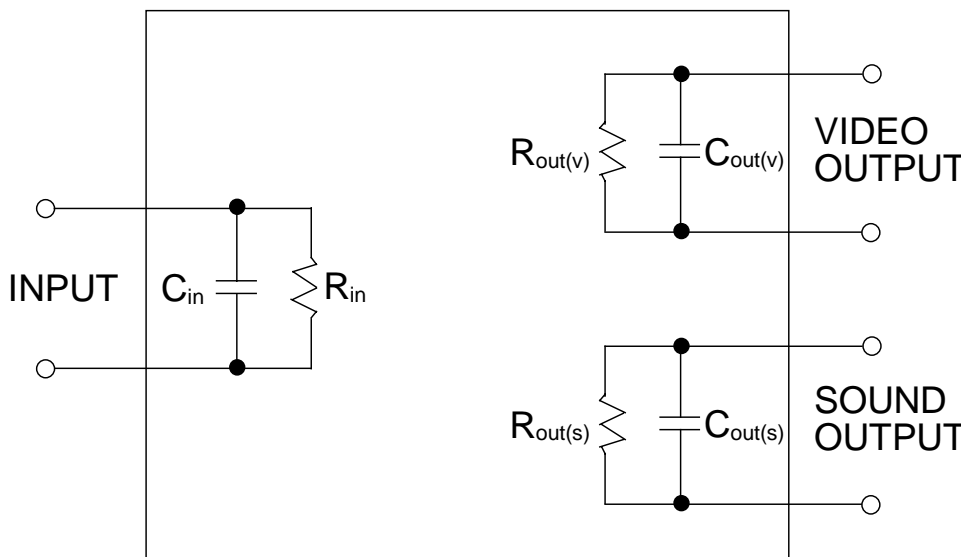
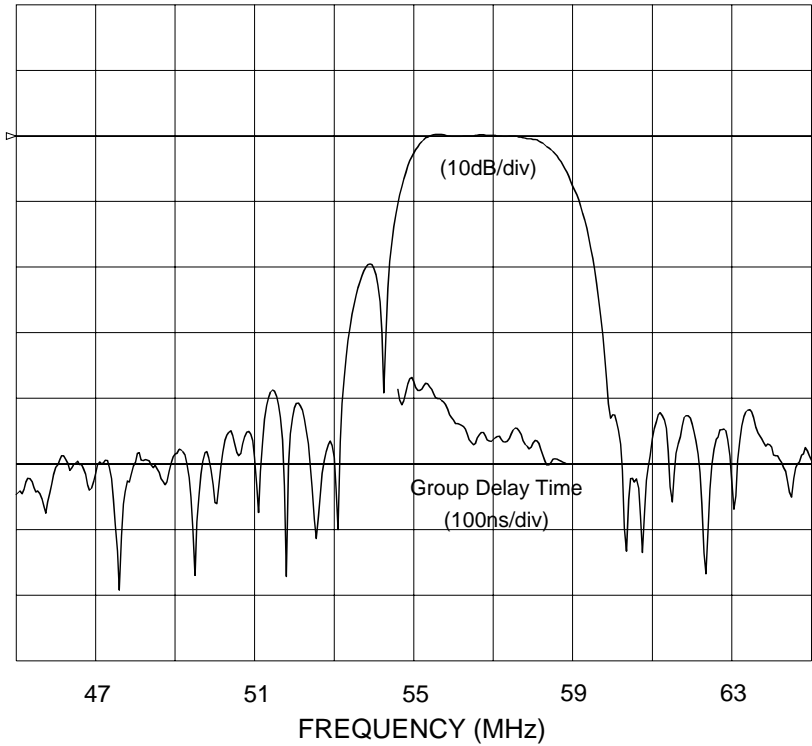


Fig.3 Equivalent circuit

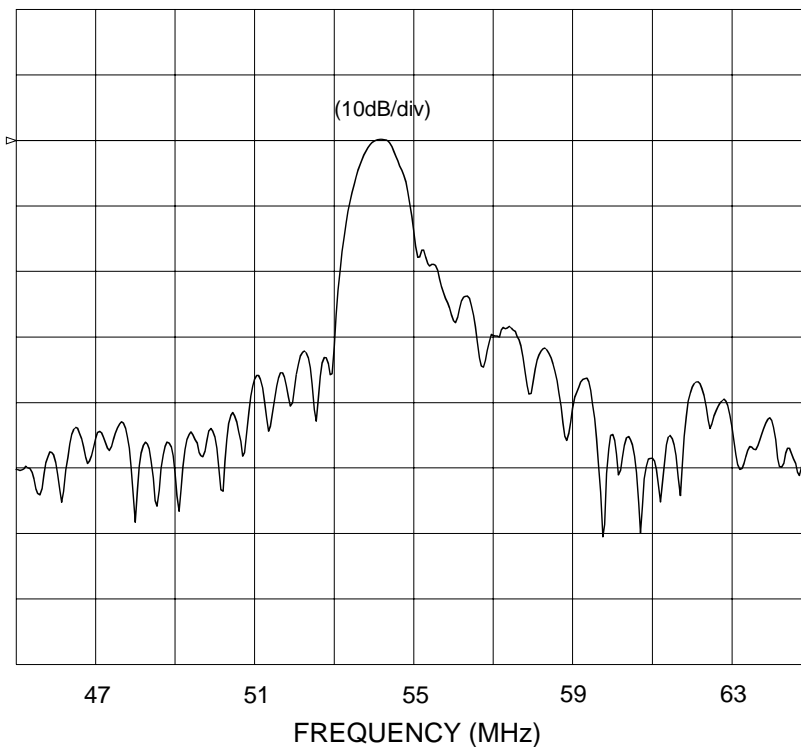
Customer Name	Standard specification	FUJITSU MEDIA DEVICES LIMITED	
Application	IF Filter for TV(PIF+SIF)		
System	M/N		
Picture Carrier Frequency	58.75 MHz	DATE	Jun. 27 2003
FMD Part Number	F811CPL	Version 1.3	

Video CH



Frequency Characteristics

Sound CH



Frequency Characteristics