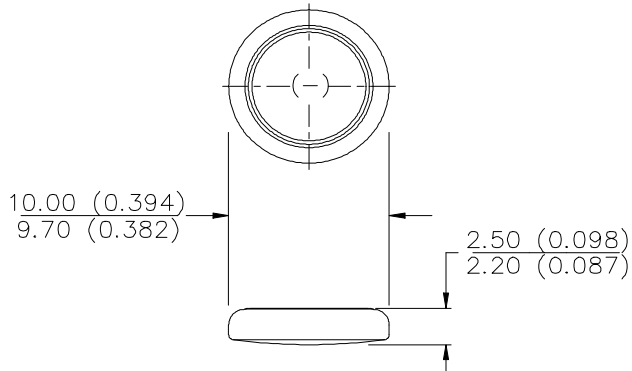


ENERGIZER NO. CR1025



Industry Standard Dimensions in mm (inches)

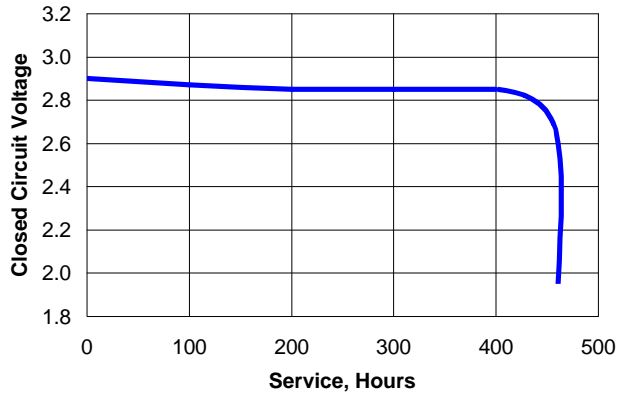


Chemical System: Lithium / Manganese Dioxide (Li/MnO₂)

Designation: IEC-CR1025
Battery Voltage: 3.0 Volts
Average Weight: 0.7 grams (0.02 oz.)
Volume: 0.2 cubic centimeters (0.01 cubic inch)
Average Capacity: 30 mAh to 2.0 volts
 (Rated at 45k ohms continuous at 21°C)

Maximum Reverse Charge Current: 1 microampere
Energy Density: 124 milliwatt hr/g, 435 milliwatt hr/cc

TYPICAL DISCHARGE CURVE
 Simulated Test @ 21°C (70°F)



Simulated Application Test
 Estimated Average Service at 21°C (70°F)

| Schedule: | Typical Drains at 2.9V (microamperes) | Load (ohms) | Cutoff Voltage |
|--------------|---|----------------|----------------|
| | | | 2.0V |
| 24 hours/day | 64 | 45,000 | 467 Hours |

Important Notice

This data sheet contains information specific to batteries manufactured at the time of its publication.

Contents herein do not constitute a warranty.

Copyright © Eveready Battery Co. Inc. - All Rights Reserved