

JST

Crimp

2.3mm
(.091") pitch

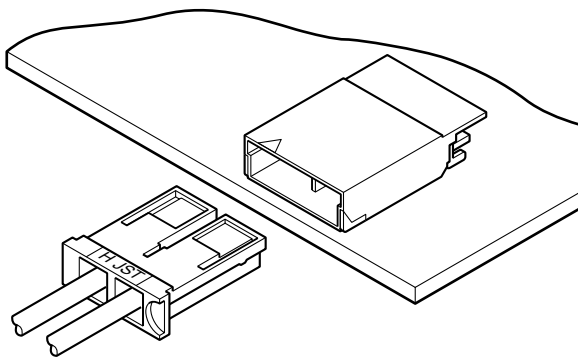
BHL CONNECTOR

Disconnectable Crimp style connectors

Emboss Tape



Low profile connector with high withstanding voltage, designed for connecting liquid crystal display backlight lamps to their starters. The BHL connector is 2.8mm (.110") thick, so the mounting height is only 3mm (.118").



Features

• **Contact lances**

Contacts are secured in the housing by their spring action, thus fully shrouded. This helps improve the withstanding voltage.

• **Anti-misinsertion housing**

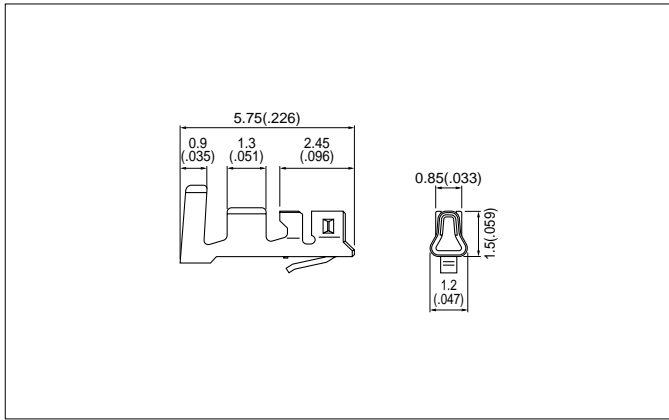
The housing has mis-insertion preventive guides on both sides. Housing locks prevent release of the housing that might result from vibration or shock.

Specifications

- Current rating: 1.0A AC, DC
 - Voltage rating: 1,400V AC, DC
 - Temperature range: -25°C to +85°C
(including temperature rise in applying electrical current)
 - Contact resistance: Initial value/10m Ω max.
After environmental testing/20m Ω max.
 - Insulation resistance: 1,000M Ω min.
 - Withstanding voltage: 3,800V AC/minute
 - Applicable wire: Conductor/AWG #28 to #24
Insulation O. D./0.9 to 1.7mm(.035" to .067")
- * Contact JST for details.

BHL CONNECTOR

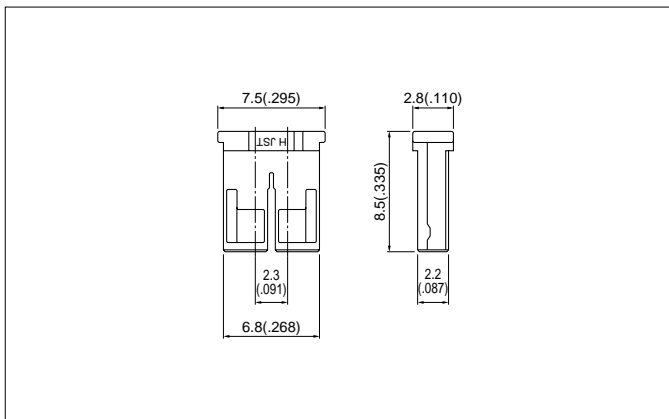
Contact



| Model No. | Applicable wire | | | Q'ty / reel |
|-----------------------|-----------------|----------|--------------------------|-------------|
| | mm ² | AWG # | Insulation O.D. mm(in.) | |
| SBHL-002T-P0.5 | 0.08 to 0.22 | 28 to 24 | 0.9 to 1.7(.035 to .067) | 10,000 |

| Material and Finish |
|-----------------------------|
| Phosphor bronze, tin-plated |

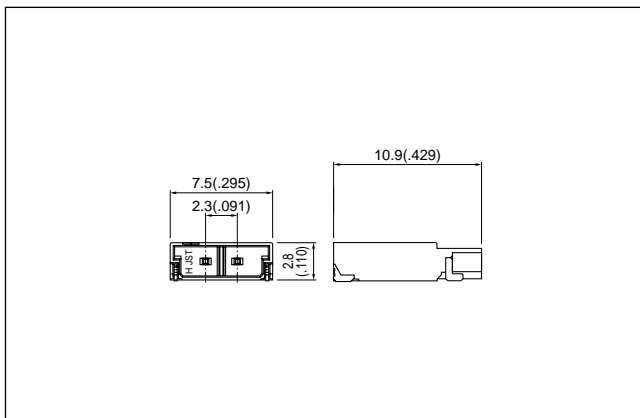
Housing



| Circuits | Model No. | Q'ty / bag |
|----------|------------------|------------|
| 2 | BHLR-02VS | 1,000 |

| Material |
|-------------------------------------|
| Thermosetting resin, UL94V-0, black |

Shrouded header

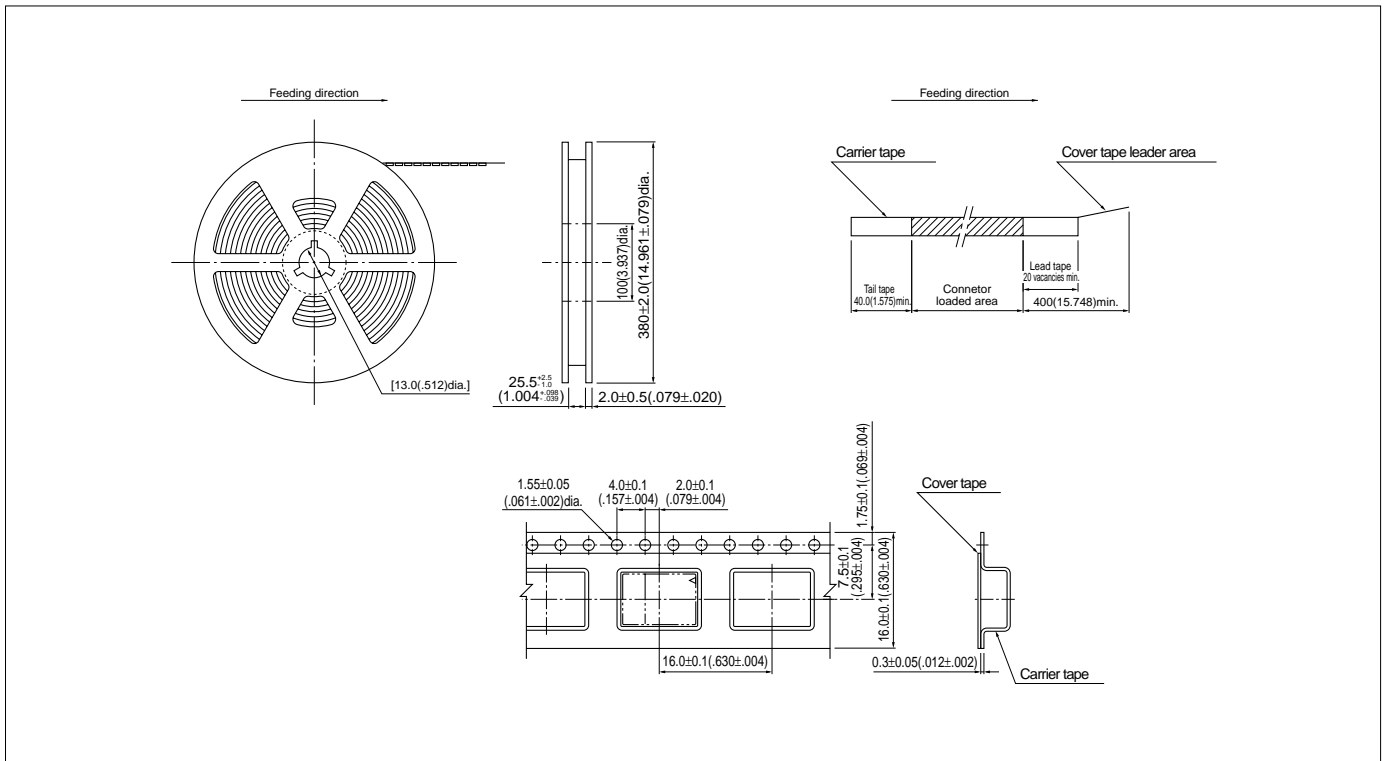


| Circuits | Model No. | Q'ty / reel |
|----------|------------------------|-------------|
| 2 | SM02B-BHLS-1-TB | 1,500 |

| Material and Finish |
|--|
| Post: Brass, copper-undercoated, tin/lead-plated |
| Wafer: Heat resistant resin, UL94V-0, natural (ivory) |
| Solder tab: Brass, copper-undercoated, tin/lead-plated |

Note: The products listed above are supplied on embossed-tape.

Taping specifications



Note:

- Specifications conform to JIS C 0806. The tape width, connector loading recess square hole dimensions, etc. are determined by the number of circuits and external shape of the connector to be loaded.
- Specifications are subject to change without prior notice.

PC board layout (viewed from component side) and Assembly layout

