

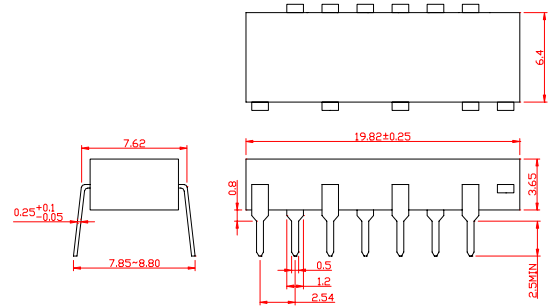
### ● Features :

1. Compact dual-in-line Package.
2. 400V peak blocking voltage.
3. Isolation voltage between input and output  
2500Vrms.

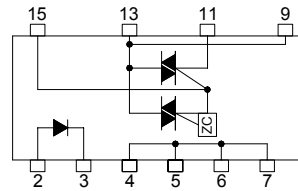
### ● Application :

1. TRIAC Driver.
2. Programmable Controllers.
3. AC-Output Module.
4. Solid State Relay.

### ● Outside Dimension : Unit ( mm )



### ● Schematic : Top View



- 2 : Anode
- 3 : Cathode
- 4,5,6,7 : N.C
- 9,13 : TRIAC T2
- 11 : TRIAC T1
- 15 : TRIAC Gate

### ● Absolute Maximum Ratings : ( Ta=25°C )

CHARACTERISTIC		SYMBOL	RATING	UNIT
Input	Forward Current	$I_F$	50	mA
	Forward Current Derating ( $T_a \geq 53^\circ\text{C}$ )	$\Delta I_F/^\circ\text{C}$	-0.7	mA/°C
	Peak Forward Current ( 100 $\mu\text{s}$ pulse, 100pps )	$I_{FP}$	1	A
	Reverse Voltage	$V_R$	5	V
	Junction Temperature	$T_j$	125	°C
Output	Off-State Output Terminal Voltage	$V_{DRM}$	400	V
	On-State RMS Current	$T_a=40^\circ\text{C}$	1.0	A
		$T_a=60^\circ\text{C}$	0.7	
	On-State Current Derating ( $T_a \geq 40^\circ\text{C}$ )	$\Delta I_T/^\circ\text{C}$	-14.3	mA/°C
	Peak Current from Snubber Circuit ( 100 $\mu\text{s}$ pulse, 120pps )	$I_{SP}$	2	A
	Peak Nonrepetitive Surge Current ( 50Hz, Peak )	$I_{TSM}$	10	A
Junction Temperature	$T_j$	110	°C	
Storage Temperature Range		$T_{stg}$	-40~125	°C
Operating Temperature Range		$T_{opr}$	-20~80	°C
Lead Soldering Temperature ( 10s )		$T_{sol}$	260	°C
Isolation Voltage ( AC, 1min., R.H. $\leq$ 60% )		$BV_S$	2500	Vrms

### ● Electro-optical characteristics :

CHARACTERISTIC		SYMBOL	TEST CONDITION	MIN.	TYP.	MAX.	UNIT
Input	Forward Voltage	$V_F$	$I_F=10\text{mA}$	1.0	1.15	1.3	V
	Reverse Current	$I_R$	$V_R=5\text{V}$	-	-	10	$\mu\text{A}$
	Capacitance	$C_T$	$V=0, f=1\text{MHz}$	-	30	-	pF
Output	Peak Off-State Current	$I_{DRM}$	$V_{DRM}=400\text{V}, T_a=110^\circ\text{C}$	-	-	100	$\mu\text{A}$
	Peak On-State Voltage	$V_{TM}$	$I_{TM}=1.5\text{A}$	-	-	3.0	V
	Holding Current	$I_H$	$R_L=100\Omega$	-	-	25	mA
	Critical Rate of Rise of Off-State Voltage	dv/dt	$V_{in}=120\text{Vrms}$	200	500	-	V/ $\mu\text{s}$
	Critical Rate of Rise of Commutating Voltage	dv/dt(c)	$V_{in}=120\text{Vrms}, I_T=1\text{Arms}$	-	5	-	V/ $\mu\text{s}$
Transfer	Trigger LED Current	$I_{FT}$	$V_T=6\text{V}$	-	-	10	mA
	Inhibit Voltage	$V_{INH}$	$I_F=\text{Rated } I_{FT}$	-	-	50	V
	Leakage in Inhibited State	$I_{DRM2}$	$I_F=\text{Rated } I_{FT}, V_T=\text{Rated } V_{DRM}$	-	200	-	$\mu\text{A}$
	Capacitance ( Input to Output )	$C_S$	$V_S=0, f=1\text{MHz}$	-	1.5	-	pF
	Isolation Resistance	$R_S$	$V_S=500\text{V}$	$5 \times 10^{10}$	$10^{14}$	-	$\Omega$
	Isolation Voltage	$BV_S$	AC, 1minute	2500	-	-	Vrms
AC, 1second, in oil			-	5000	-		
DC, 1minute, in oil			-	5000	-	Vdc	