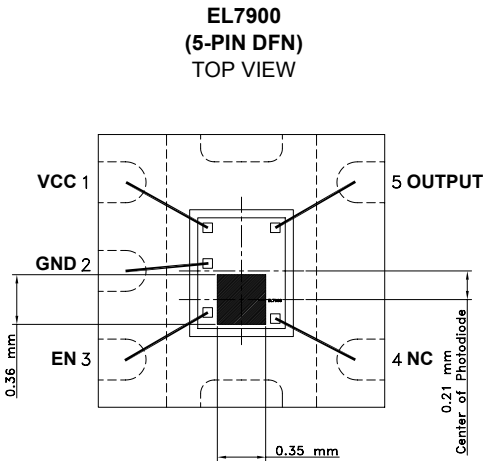


Ambient Light Photo Detect IC

The EL7900 is a light-to-current optical sensor combining a photodiode and a current amplifier on a single monolithic IC. Output current is directly proportionate to the light intensity on the photodiode. Its sensitivity is superior to that of a phototransistor and exhibits little variation. Its spectral sensitivity matches closely to the luminous efficiency and linearity.

Housed in an ultra-compact surface mount clear plastic package, this device is excellent for power saving control function in cell phones, PDAs, and other handheld applications.

Pinout



Features

- Monolithic IC containing photodiode and amplifier
- Converts light intensity to current
- 2.5V to 5.5V supply range
- Low supply current - 1 μ A
- Excellent output linearity of luminance
- Ultra-compact and light surface mount package
- Pb-Free plus anneal available (RoHS compliant)

Applications

- Mobile phones
- Notebook PCs
- PDAs
- Video cameras
- Digital cameras

Ordering Information

PART NUMBER	PACKAGE	TAPE & REEL	PKG. DWG. #
EL7900ILCZ (See Note)	5-Pin ODFN (Pb-free)	-	MDP0052

NOTE: Intersil Pb-free plus anneal products employ special Pb-free material sets; molding compounds/die attach materials and 100% matte tin plate termination finish, which are RoHS compliant and compatible with both SnPb and Pb-free soldering operations. Intersil Pb-free products are MSL classified at Pb-free peak reflow temperatures that meet or exceed the Pb-free requirements of IPC/JEDEC J STD-020.

EL7900

Absolute Maximum Ratings ($T_A = 25^\circ\text{C}$)

Supply Voltage between V_{SD} and GND6V	Maximum Die Temperature	+125°C
Maximum Continuous Output Current	TBD	Storage Temperature	-65°C to +150°C
Operating Temperature	-40°C to +85°C		

CAUTION: Stresses above those listed in "Absolute Maximum Ratings" may cause permanent damage to the device. This is a stress only rating and operation of the device at these or any other conditions above those indicated in the operational sections of this specification is not implied.

IMPORTANT NOTE: All parameters having Min/Max specifications are guaranteed. Typical values are for information purposes only. Unless otherwise noted, all tests are at the specified temperature and are pulsed tests, therefore: $T_J = T_C = T_A$

Electrical Specifications $V_{CC} = 3V$, $T_A = 25^\circ\text{C}$, fluorescent light, unless otherwise specified.

PARAMETER	DESCRIPTION	CONDITION	MIN	TYP	MAX	UNIT
I_{CC}	Supply Current	$R_L = 1k\Omega$, EV = 100lx		62		μA
		EV = 0lx		1		μA
I_{L1}	Light Current	EV = 100lx	39	60.5	82	μA
I_{L2}	Light Current	EV = 10lx		6.2		μA
I_{LEAK}	Dark Current	EV = 0lx		0.15		μA
V_{O-MAX}	Maximum Output Compliance Voltage	at 95% of nominal output current, EV = 100lx		2.7		V
T_R	Rise Time (See Note)	$R_L = 5k\Omega$, EV = 300lx		105	125	μs
T_F	Fall Time (See Note)	$R_L = 5k\Omega$, EV = 300lx		170	225	μs
T_D	Delay Time for Rising Edge (See Note)	$R_L = 5k\Omega$, EV = 300lx		165	200	μs
T_S	Delay Time for Falling Edge (See Note)	$R_L = 5k\Omega$, EV = 300lx		65	85	μs
V_{LO}	Maximum Voltage at EN Pin to Enable				0.6	V
V_{HI}	Minimum Voltage at EN Pin to Disable		1.8			V

NOTE: Switching time measurement is based on Figures 1 and 2.

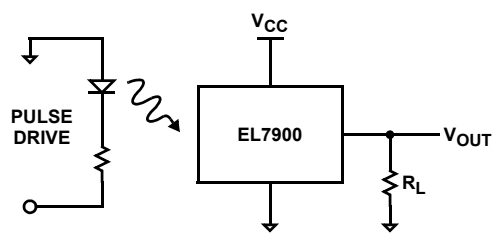


FIGURE 1. RISE/FALL TIME MEASUREMENT

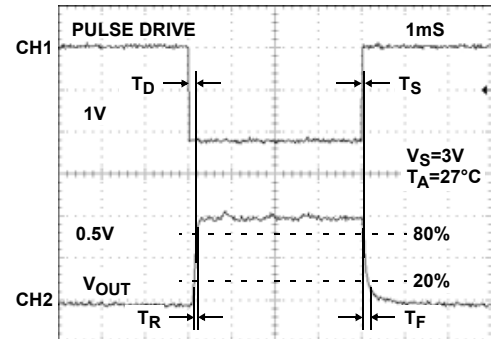


FIGURE 2.

Typical Performance Curves

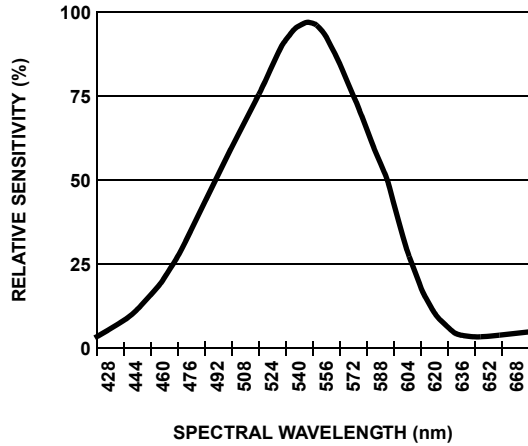


FIGURE 3. RELATIVE SENSITIVITY

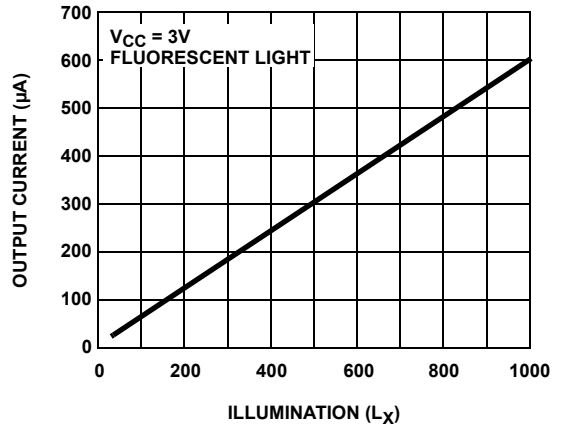


FIGURE 4. SENSITIVITY

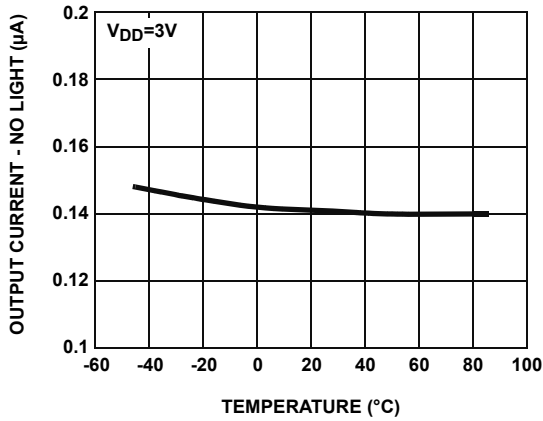


FIGURE 5. DARK CURRENT vs TEMPERATURE

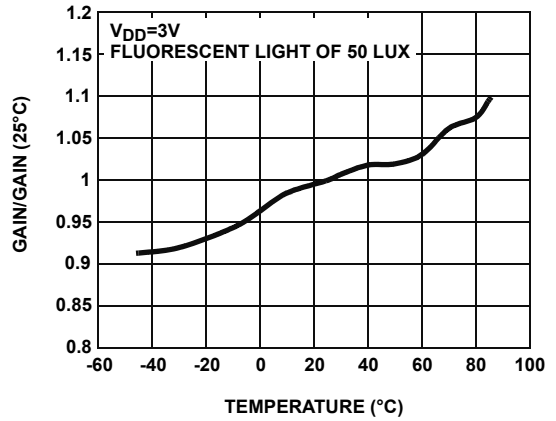


FIGURE 6. GAIN vs TEMPERATURE

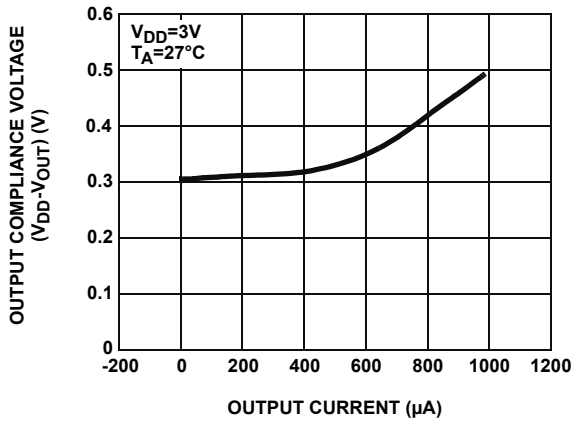
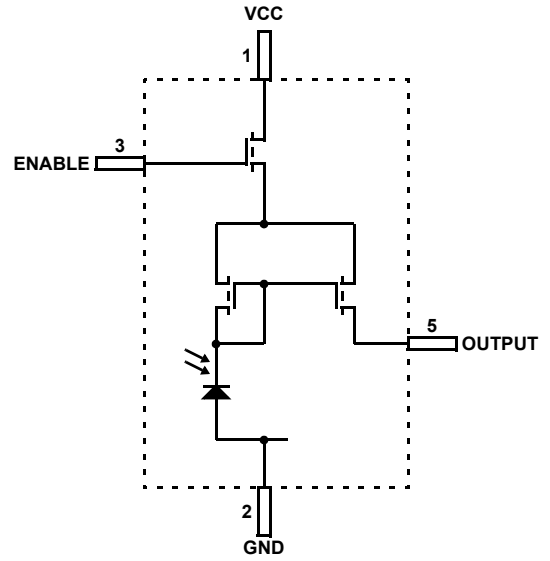


FIGURE 7. OUTPUT COMPLIANCE VOLTAGE vs CURRENT

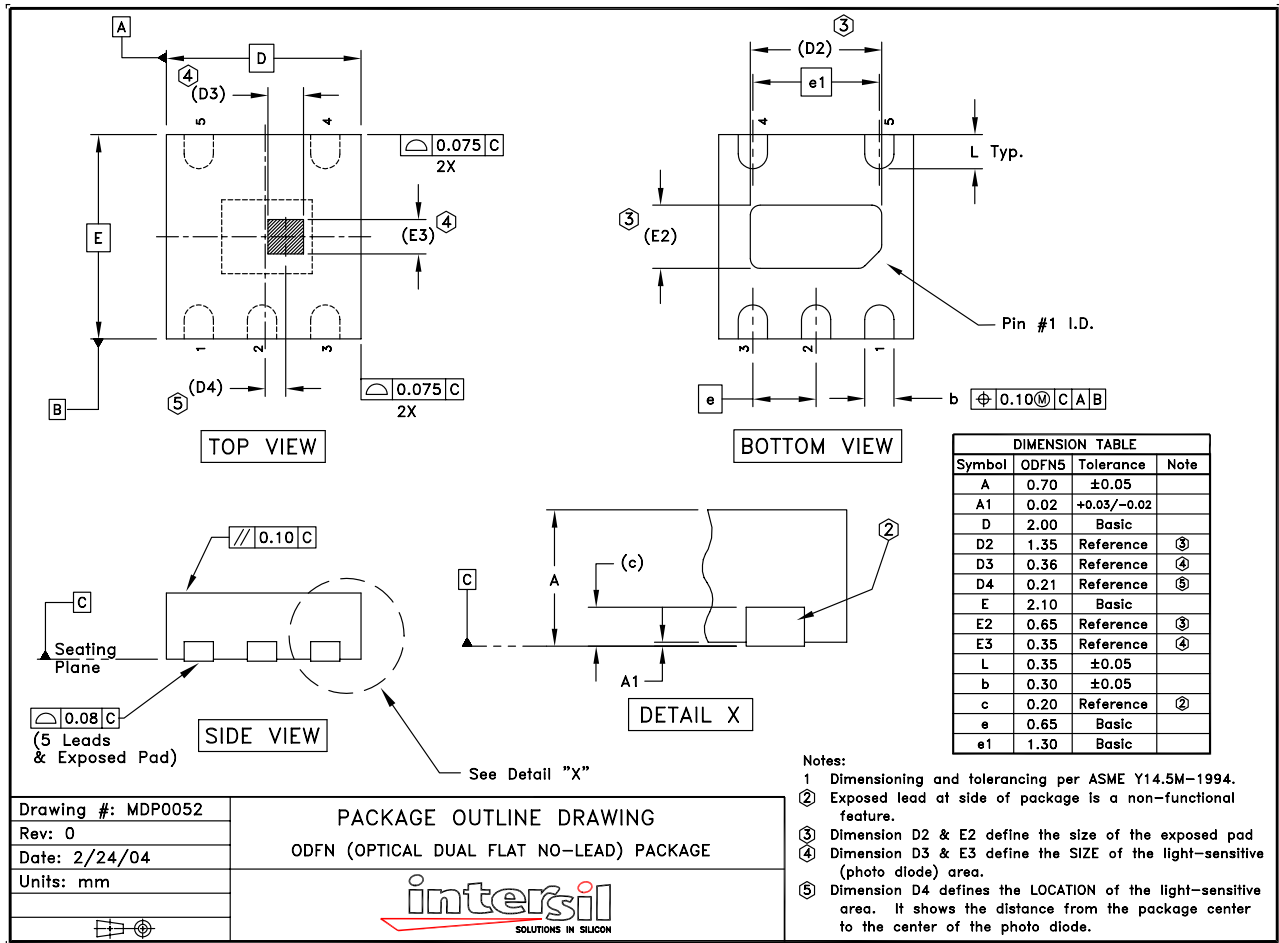
Pin Descriptions

PIN	NAME	DESCRIPTION
1	VCC	Supply, 2.5V to 5.5V
2	GND	Ground
3	EN	Enable
4	NC	No connect
5	Output	Current output pin

Block Diagram



Package Outline Drawing



NOTE: The package drawing shown here may not be the latest version. To check the latest revision, please refer to the Intersil website at <http://www.intersil.com/design/packages/index.asp>

All Intersil U.S. products are manufactured, assembled and tested utilizing ISO9000 quality systems. Intersil Corporation's quality certifications can be viewed at www.intersil.com/design/quality

Intersil products are sold by description only. Intersil Corporation reserves the right to make changes in circuit design, software and/or specifications at any time without notice. Accordingly, the reader is cautioned to verify that data sheets are current before placing orders. Information furnished by Intersil is believed to be accurate and reliable. However, no responsibility is assumed by Intersil or its subsidiaries for its use; nor for any infringements of patents or other rights of third parties which may result from its use. No license is granted by implication or otherwise under any patent or patent rights of Intersil or its subsidiaries.

For information regarding Intersil Corporation and its products, see www.intersil.com