

Advance Information
The RF Line
VHF Power Transistor

The TP2325 is designed for use in 12.5 V VHF amplifiers operating under Class A, B or C conditions.

Its construction which incorporates gold metallization and diffused ballast resistors enables the part to be used at its maximum ratings and be able to withstand an infinite VSWR at all phase angles.

- 175 MHz
- 25 W — P_{out}
- 12.5 V — V_{CC}
- Gold Metallization for Reliability

TP2325

25 W — 175 MHz
VHF POWER
TRANSISTOR
NPN SILICON

2



CASE 145D-01, STYLE 1
 (.380 SOE)

MAXIMUM RATINGS

Rating	Symbol	Value	Unit
Collector-Emitter Voltage	V_{CEO}	16	Vdc
Collector-Base Voltage	V_{CBO}	36	Vdc
Emitter-Base Voltage	V_{EBO}	4	Vdc
Collector Current — Continuous	I_C	8	Adc
Operating Junction Temperature	T_J	200	°C
Storage Temperature Range	T_{stg}	-65 to +200	°C

THERMAL CHARACTERISTICS

Characteristic	Symbol	Max	Unit
Thermal Resistance, Junction to Case	$R_{\theta JC}$	2.2	°C/W

ELECTRICAL CHARACTERISTICS ($T_C = 25^\circ\text{C}$ unless otherwise noted)

Characteristic	Symbol	Min	Typ	Max	Unit
----------------	--------	-----	-----	-----	------

OFF CHARACTERISTICS

Collector-Emitter Breakdown Voltage ($I_C = 50\text{ mA}$, $I_B = 0$)	$V_{(BR)CEO}$	16	—	—	Vdc
Collector-Base Breakdown Voltage ($I_C = 50\text{ mA}$, $I_E = 0$)	$V_{(BR)CBO}$	36	—	—	Vdc
Emitter-Base Breakdown Voltage ($I_E = 5\text{ mA}$, $I_C = 0$)	$V_{(BR)EBO}$	4	—	—	Vdc
Collector Cutoff Current ($V_{CB} = 15\text{ V}$, $I_E = 0$)	I_{CBO}	—	—	5	mAdc
Collector-Emitter Breakdown Voltage ($I_C = 50\text{ mA}$, $R_{\theta E} = 10\ \Omega$)	$V_{(BR)CER}$	35	—	—	Vdc

ON CHARACTERISTICS

DC Current Gain ($I_C = 1\text{ A}$, $V_{CE} = 5\text{ V}$)	h_{FE}	10	—	—	—
--	----------	----	---	---	---

FUNCTIONAL TESTS

Common-Emitter Amplifier Power Gain ($V_{CE} = 12.5\text{ V}$, $P_{out} = 25\text{ W}$, $f = 175\text{ MHz}$)	G_{PE}	6.2	—	—	dB
Collector Efficiency ($V_{CE} = 12.5\text{ V}$, $P_{out} = 25\text{ W}$, $f = 175\text{ MHz}$)	η_c	60	—	—	%

This document contains information on a new product. Specifications and information herein are subject to change without notice.

The RF Line
VHF Power Transistors

2

The TP2330 device is intended for use in VHF transmitter output stages where high gain is desired.

Use of gold metallization and diffused emitter ballast resistors result in enhanced reliability and ruggedness.

- 175 MHz
- 30 W — P_{out}
- 12.5 V — V_{CC}
- High Gain — 10 dB @ 175 MHz

MAXIMUM RATINGS

Rating	Symbol	Value	Unit
Collector-Emitter Voltage	V_{CEO}	16	Vdc
Collector-Base Voltage	V_{CBO}	36	Vdc
Emitter-Base Voltage	V_{EBO}	4	Vdc
Collector Current — Continuous	I_C	8	Adc
Total Device Dissipation @ $T_C = 25^\circ\text{C}$ Derate above 25°C	P_D	80 0.48	Watts W/°C
Operating Junction Temperature	T_J	200	°C
Storage Temperature Range	T_{stg}	-65 to +200	°C

THERMAL CHARACTERISTICS

Characteristic	Symbol	Max	Unit
Thermal Resistance, Junction to Case	$R_{\theta JC}$	2.2	°C/W

ELECTRICAL CHARACTERISTICS ($T_C = 25^\circ\text{C}$ unless otherwise noted)

Characteristic	Symbol	Min	Typ	Max	Unit
----------------	--------	-----	-----	-----	------

OFF CHARACTERISTICS

Collector-Emitter Breakdown Voltage ($I_C = 50\text{ mA}$, $I_B = 0$)	$V_{(BR)CEO}$	16	—	—	Vdc
Collector-Base Breakdown Voltage ($I_C = 50\text{ mA}$, $I_E = 0$)	$V_{(BR)CBO}$	36	—	—	Vdc
Emitter-Base Breakdown Voltage ($I_E = 5\text{ mA}$, $I_C = 0$)	$V_{(BR)EBO}$	4	—	—	Vdc
Collector Cutoff Current ($V_{CE} = 15\text{ V}$, $V_{BE} = 0$)	I_{CES}	—	—	10	mA dc

ON CHARACTERISTICS

DC Current Gain ($I_C = 1\text{ A}$, $V_{CE} = 5\text{ V}$)	h_{FE}	20	—	250	—
--	----------	----	---	-----	---

DYNAMIC CHARACTERISTICS

Output Capacitance ($V_{CB} = 15\text{ V}$, $I_E = 0$, $f = 1\text{ MHz}$)	C_{ob}	—	70	100	pF
--	----------	---	----	-----	----

(continued)

TP2330
TP2330F

30 W — 175 MHz
VHF POWER
TRANSISTORS
NPN SILICON



CASE 145D-01, STYLE 1
 (389 SOE)
 TP2330



CASE 211-07, STYLE 1
 (389 SOE F)
 TP2330F

ELECTRICAL CHARACTERISTICS — continued (T_C = 25°C unless otherwise noted)

Characteristic	Symbol	Min	Typ	Max	Unit	
FUNCTIONAL TESTS						
Common-Emitter Amplifier Power Gain (V _{CE} = 12.5 V, P _{out} = 30 W, f = 175 MHz)	TP2330 TP2330F	G _{PE}	10 9	— —	— —	dB
Collector Efficiency (V _{CE} = 12.5 V, P _{out} = 30 W, f = 175 MHz)		η _c	60	—	—	%
Load Mismatch (V _{CE} = 12.5 V, P _{out} = 30 W, f = 175 MHz, Load VSWR = ∞, All Phase Angles)		φ	No Degradation in Output Power			
Input Impedance, Common Emitter (Typ) (V _{CE} = 12.5 V, P _{out} = 30 W, f = 175 MHz)			Z _{in} = 1.05 + j0.5 Ohms			
Load Impedance, Common Emitter (Typ) (V _{CE} = 12.5 V, P _{out} = 30 W, f = 175 MHz)			Z _{Load} = 2.7 + j0.2 Ohms			

2

TYPICAL CHARACTERISTICS

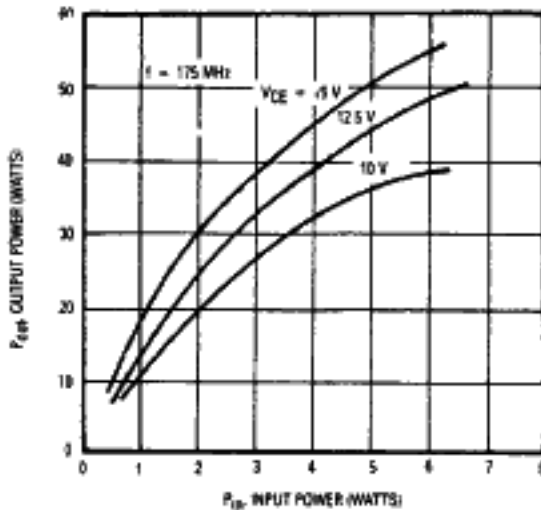


Figure 1. Output Power versus Frequency

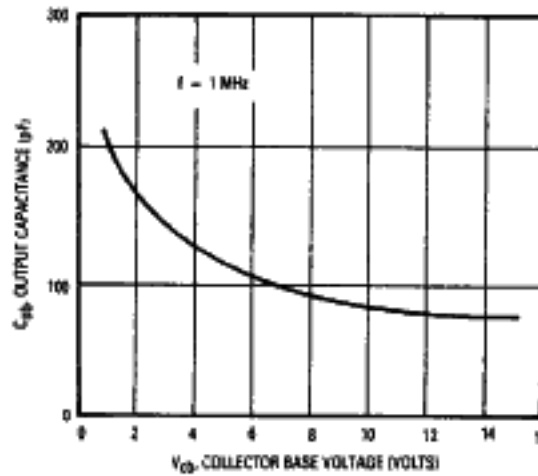


Figure 2. Output Capacitance versus Voltage

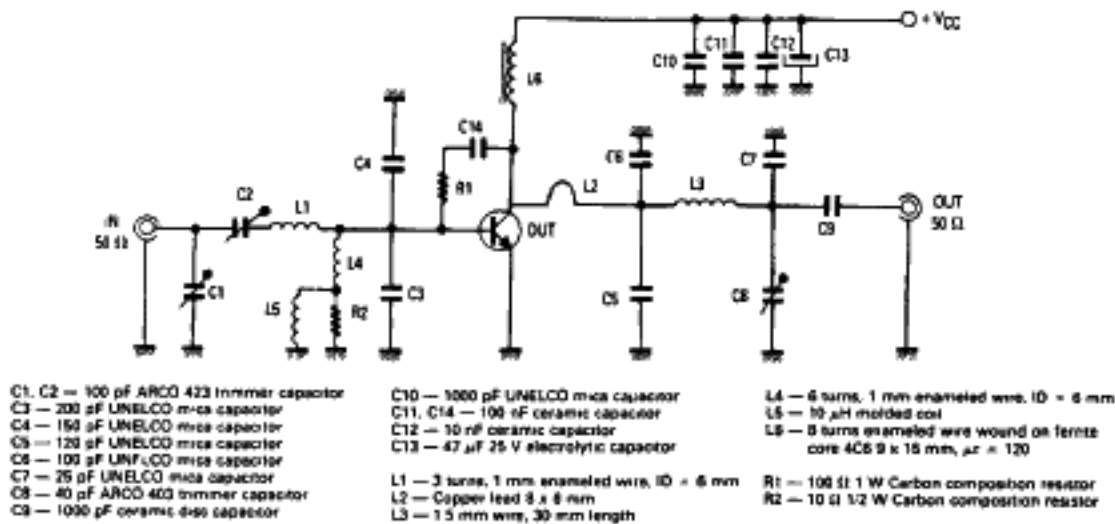


Figure 3. 175 MHz Test Circuit