



# LB8649W — Monolithic Digital IC

## Digital Camera Motor Driver

### Overview

The LB8649W integrates the actuator drivers required by digital cameras on a single chip.

### Features

- Integrates the actuator drivers required by digital cameras on a single chip.
  1. Shutter drive ("SH") /AE system constant current output stepping motor or two VCM drivers
  2. Zoom system constant voltage output stepping motor or DC motor driver (forward/reverse/brake)
  3. AF system constant voltage output stepping motor driver
- Zero standby mode current consumption (allows batteries to be connected directly)
- Four independent power supply systems (SH/AE, AF, zoom, and input logic systems)
- Low-voltage drive (allows operation from two NiMH batteries)
- Built-in thermal protection circuit

### Specifications

**Absolute Maximum Ratings** at Ta = 25°C

Parameter	Symbol	Conditions	Ratings	Unit
Maximum supply voltage	VB max	VB power supply	10.5	V
	VCC max	VCC power supply	10.5	V
Maximum input voltage	VIN max		10.5	V
Maximum output voltage	VOU max		10.5	V
Maximum output current	IO max	Per channel	600	mA
Allowable power dissipation	Pd max	When mounted on a circuit board *1	1.0	W
Operating temperature	Topr		-20 to +80	°C
Storage temperature	Tstg		-55 to +150	°C

\*1 Specified circuit board : 76.1 × 114.3 × 1.6mm<sup>3</sup>, glass epoxy.

■ Any and all SANYO Semiconductor Co.,Ltd. products described or contained herein are, with regard to "standard application", intended for the use as general electronics equipment (home appliances, AV equipment, communication device, office equipment, industrial equipment etc.). The products mentioned herein shall not be intended for use for any "special application" (medical equipment whose purpose is to sustain life, aerospace instrument, nuclear control device, burning appliances, transportation machine, traffic signal system, safety equipment etc.) that shall require extremely high level of reliability and can directly threaten human lives in case of failure or malfunction of the product or may cause harm to human bodies, nor shall they grant any guarantee thereof. If you should intend to use our products for applications outside the standard applications of our customer who is considering such use and/or outside the scope of our intended standard applications, please consult with us prior to the intended use. If there is no consultation or inquiry before the intended use, our customer shall be solely responsible for the use.

■ Specifications of any and all SANYO Semiconductor Co.,Ltd. products described or contained herein stipulate the performance, characteristics, and functions of the described products in the independent state, and are not guarantees of the performance, characteristics, and functions of the described products as mounted in the customer's products or equipment. To verify symptoms and states that cannot be evaluated in an independent device, the customer should always evaluate and test devices mounted in the customer's products or equipment.

# LB8649W

## Allowable Operating Ranges at $T_a = 25^\circ\text{C}$

Parameter	Symbol	Conditions	Ratings	Unit
Supply voltage range	VB1, 2, 3	*2	1.9 to 10	V
	V <sub>CC</sub>		1.9 to 10	
High-level input pin voltage	V <sub>INH</sub>		1.8 to 10	V
Low-level input pin voltage	V <sub>INL</sub>		-0.3 to 0.4	V
Constant voltage setting input range	V <sub>OC</sub>	VC1, VC2	0.1 to VB	V
Constant current setting input range	V <sub>OI</sub>	IAE, ISH	0.1 to 1.0	V

\*2 There are no restraints on the relative magnitudes of the VB1, VB2, V<sub>DD</sub>, V<sub>CC</sub>, and V<sub>IN</sub> power supply system voltages.

Example 1 : VB1 = VB2 = V<sub>DD</sub> = 2.4V (battery power supply), V<sub>CC</sub> = 4V (stepped up power supply), V<sub>IN</sub> (CPU power supply) = 5V

Example 2 : VB1 = VB2 = 2.4V, V<sub>IN</sub> = 3.3 V, V<sub>DD</sub> = V<sub>CC</sub> = 5V

## Electrical Characteristics at $T_a = 25^\circ\text{C}$ , VB = V<sub>CC</sub> = 2.4V, R<sub>f</sub> = 1Ω

Parameter	Symbol	Conditions	Ratings			Unit
			min	typ	max	
Standby mode current consumption	I <sub>CC0</sub>	VB1 = VB2 = V <sub>CC</sub> = V <sub>DD</sub> = 8.0V *3		0.1	5.0	μA
Operating mode current consumption	I <sub>CC1</sub>	IN1, IN2, IN3 or IN4 = High *3		6	9	mA
	I <sub>CC2</sub>	IN5, IN6, IN7 or IN8 = High *3		14	19	
	I <sub>CC3</sub>	IN9, IN10, IN11 or IN12 = High *3		18	25	
Reference voltage	V <sub>ref1</sub>	I <sub>ref</sub> = -1mA, INHD = Low	0.95	1.0	1.05	V
	V <sub>ref2</sub>	I <sub>ref</sub> = -1mA, INHD = High	0.64	0.67	0.70	
Control pin input current	I <sub>IN</sub>	V <sub>IN</sub> = 5.0V		60	90	μA
Thermal shutdown operating temperature	TSD	Design guarantee *4	160	180	200	°C
<b>AF System Constant Voltage Stepping Motor Driver (OUT1, 2, 3, 4)</b>						
Output constant voltage 1	V <sub>O1</sub>	VC1 = 0.30V	1.46	1.53	1.60	V
Output saturation voltage 1	VSAT1	I <sub>O</sub> = 0.2A (High and low side total)	0.27	0.37	0.50	V
<b>Zoom System Constant Voltage Driver (OUT5, 6, 7, 8)</b>						
Output constant voltage 2	V <sub>O2</sub>	VC2 = 0.30V	1.46	1.53	1.60	V
Output saturation voltage 2	VSAT2	I <sub>O</sub> = 0.2A (High and low side total)	0.27	0.37	0.50	V
<b>SH/AE System Constant Current Driver (OUT9, 10, 11, 12)</b>						
Output constant current	I <sub>O</sub>	R <sub>f</sub> = 1Ω, ISH = 0.3V	271	285	302	mA
Output saturation voltage 3	VSAT3	I <sub>O</sub> = 0.3A (High and low side total)	0.33	0.44	0.60	V

\*3 : This is stipulated to be the sum of the current consumption for the VB1, VB2, V<sub>DD</sub>, and V<sub>CC</sub> lines.

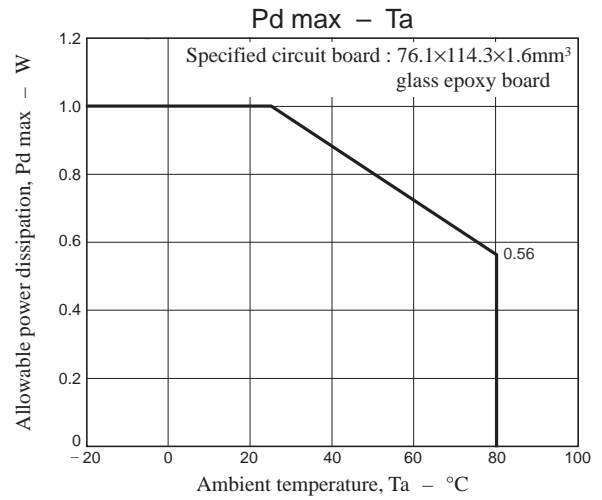
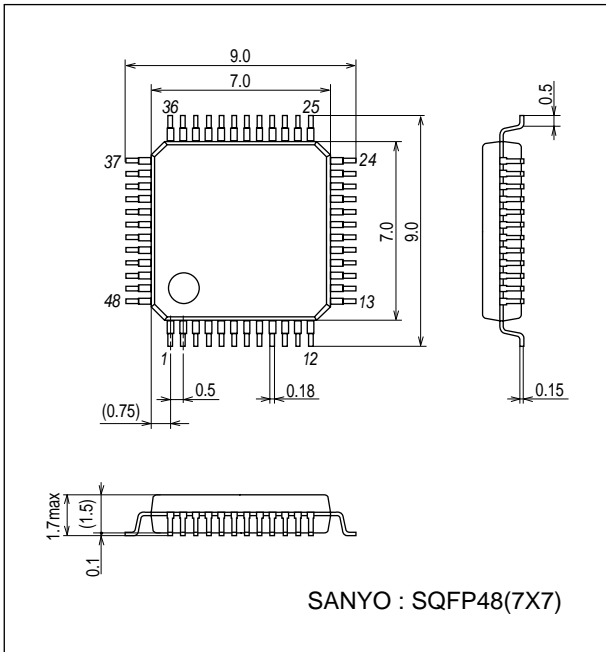
\*4 : The device characteristics are not tested at all temperatures. They are only tested at  $T_a = 25^\circ\text{C}$  at shipment; the characteristics in the guaranteed temperature range are design guarantees.

# LB8649W

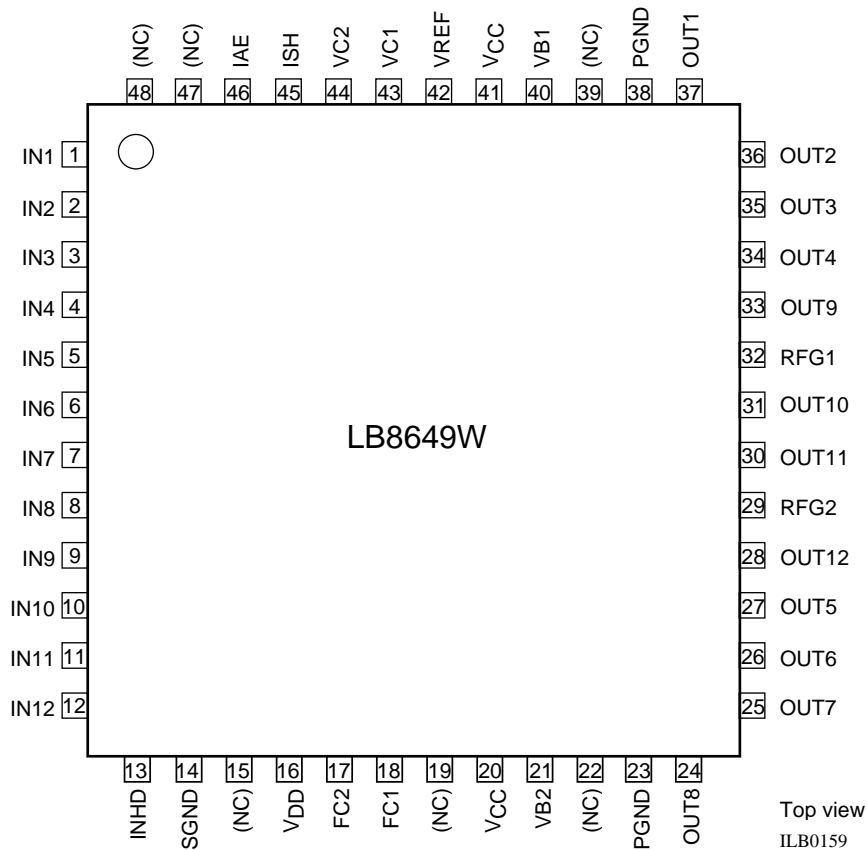
## Package Dimensions

unit : mm (typ)

3163B



## Pin Assignment



Top view  
ILB0159

Note : Both PGNDs must be connected.

V<sub>DD</sub> : Power supply for the input system, reference voltage, and logic blocks.

V<sub>CC</sub> : Power supply for the constant current control block and output blocks (OUT9, 10, 11, and 12)

VB1 : Power supply for the constant voltage control block and output blocks (OUT1, 2, 3, and 4)

VB2 : Power supply for the constant voltage control block and output blocks (OUT5, 6, 7, and 8)

**Truth Table**

**(1) AF system stepping motor constant voltage control**

Input					Output					Mode
IN1	IN2	IN3	IN4	INHD	OUT1	OUT2	OUT3	OUT4	Vref	
Low	Low	Low	Low	Low	-	-	-	-	-	Standby
High	Low	Low	Low	Low	High	Low	-	-	1.0V	1-2 phase excitation
High	Low	High	Low		High	Low	High	Low		
Low	Low	High	Low		-	-	High	Low		
Low	High	High	Low		Low	High	High	Low		
Low	High	Low	Low		Low	High	-	-		
Low	High	Low	High		Low	High	Low	High		
Low	Low	Low	High		-	-	Low	High		
High	Low	Low	High		High	Low	Low	High		
High	High	*	*		-	-	-	-		
*	*	High	High		-	-	-	-		
*	*	*	*	Low					1.0V	
				High					0.67V	

Notes

1. "-" indicates the output off state.
2. When the output is high, a level that is  $VC1 \times 5.1$  will be output.

**(2) Zoom stepping motor constant voltage control, or DC motor drive**

Input					Output					Mode
IN5	IN6	IN7	IN8	INHD	OUT5	OUT6	OUT7	OUT8	Vref	
Low	Low	Low	Low	Low	-	-	-	-	-	Standby
High	Low	Low	Low	Low	High	Low	-	-	1.0V	1-2 phase excitation
High	Low	High	Low		High	Low	High	Low		
Low	Low	High	Low		-	-	High	Low		
Low	High	High	Low		Low	High	High	Low		
Low	High	Low	Low		Low	High	-	-		
Low	High	Low	High		Low	High	Low	High		
Low	Low	Low	High		-	-	Low	High		
High	Low	Low	High		High	Low	Low	High		
High	High	*	*		High	High	-	-		
*	*	High	High		-	-	High	High		
*	*	*	*	Low					1.0V	
				High					0.67V	

Notes

1. "-" indicates the output off state, "\*" indicates "Don't care".
2. When the output is high, a level that is  $VC2 \times 5.1$  will be output.

**(3) SH/AE system VCM driver constant current control or stepping motor drive**

Input					Output						Mode	
IN9	IN10	IN11	IN12	INHD	OUT9	OUT10	OUT11	OUT12	Vref	ISH		
Low	Low	Low	Low	Low	–	–	–	–	–	–	Setting voltage state	Standby
High	Low	*	*		High	Low			1.0V	SH & AE		
Low	High	*	*		Low	High						
*	*	High	Low				High	Low				
*	*	Low	High				Low	High				
High	Low	*	*	High	High	Low			0.67V			Hold
Low	High	*	*		Low	High						
*	*	High	Low				High	Low				
*	*	Low	High				Low	High				
Low	Low	Low	Low		–	–	–	–		Discharged		Standby

Notes

1. "–" indicates the output off state, "\*" indicates "Don't care".
2. OUT9 and OUT10 are for SH, and provide stable startup characteristics with fast charge and fast discharge circuits.
3. OUT10 and OUT11 are for AE.
4. In standby mode, the ISH pin voltage is discharged by an internal transistor and thus is set to 0V.
5. Furthermore, the ISH pin is also set to the discharged state when inputs are provided to IN1 through IN8. This is for startup correction.
6. When INHD is low, the Vref voltage will be 1.0V, and when high, the Vref voltage will be 0.67V.

**Notes on Application Design**

**(1) Constant current level setting (ISH, IAE, RFG1/2, and OUT9 to OUT12)**

The constant current level for the OUT9/10 pair is set by the ISH input voltage and the resistor connected to RFG1. As shown in the block diagram, the current is controlled so that the voltage generated across the current detection resistor connected between RFG1 and ground and the ISH input voltage become equal. The output current can be determined from the following equation.

$$(\text{Output current between OUT9 and OUT10}) = (\text{ISH input voltage}) \div (\text{RFG1 resistance} + 0.05\Omega)$$

The 0.05Ω here is the shared impedance of the emitter of the output transistor that drives the constant current and the constant current control amplifier's sensing line.

Similarly, the constant current level for the OUT11/12 pair is set by the IAE input voltage and the resistor connected to RFG2.

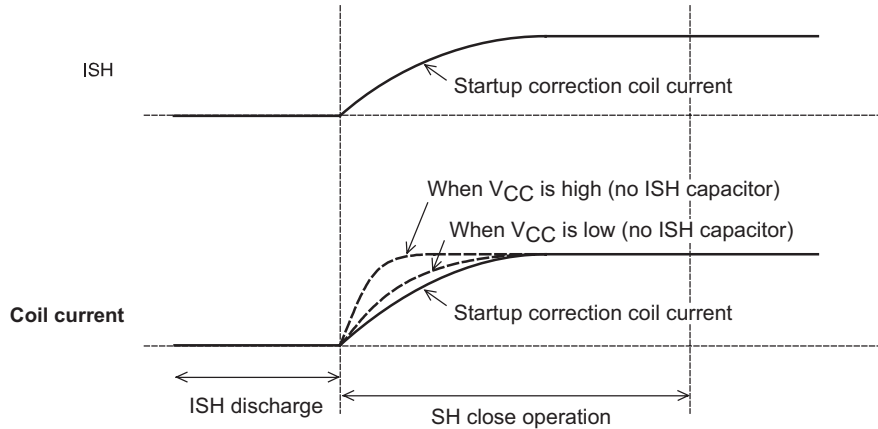
Note that since the constant current control block is connected to PGND internally to the IC, if voltage is provided to ISH and IAE through a voltage divider, the voltage divider resistor ground must be connected to PGND.

**(2) Rapid charge and discharge circuits (FC1, OUT9, and OUT10)**

The SH control block (OUT9/10) includes rapid charge and rapid discharge circuits to support burst (rapid sequential) imaging.

Since this type of circuit is not included in the AE control block (OUT11/12), the OUT9/10 block must be used for shutter drive.

**(3) Startup correction function (ISH, OUT9, and OUT10)**



Startup correction is applied to the coil waveform by setting the ISH pin input voltage to a time constant larger than that of the coil with an external RC circuit. This makes it possible to provide stable shutter operation even in the presence of power supply fluctuations.

Note : For the ISH startup correction, the capacitance is determined by, in the state where the ISH capacitor is not present, verifying the coil current startup waveform when V<sub>CC</sub> is at a reduced level and choosing a capacitance such that the time constant is lower than that of this waveform.

Note, however, that in cases where, for example, the supply voltage is stabilized and a startup correction function is not needed, this startup correction capacitor is not needed.

**(4) Phase correction capacitor (FC1, FC2)**

Consider values in the range 0.0015 to 0.033μF for the FC1/2 capacitors, and select values such that oscillation in the output is not a problem. If a coil with a particularly high impedance is used, an adequate margin must be provided in the capacitor value. Note that since the constant current control block is connected to PGND internally to the IC, the ground sides of the FC1/2 capacitors must be connected to PGND.

Notes to determine the value of FC1 and FC2 capacitors

FC1 is the connection for the phase compensation capacitor for the OUT9/10 output constant current control circuit.

Similarly, FC2 is the connection for the OUT11/12 phase compensation capacitor.

To determine the value of these capacitors, observe the output waveform and select a value such that the output does not oscillate.

The FC pin is connected in the IC circuit to the constant current control amplifier output blocs and the output transistor is driven by the rise in the FC potential. Therefore, since the FC pin initial state influences the output drive timing, before applying power to the shutter, this IC discharges (with the rapid discharge circuit) the FC pin to a certain fixed potential internally and then when starting to apply power to the shutter, the IC charges (with the rapid charge circuit) the FC pin to a fixed potential internally so that the FC pin state is always fixed when driving the shutter.

This stabilizes the input to output delay time.

However, if the capacitor value is made too large, the time required for the above circuit to charge and discharge that capacitor will become longer and the input to output delay time fluctuations will become larger due to variations in the capacitor value (due both to sample-to-sample variations and to temperature characteristics).

Another disadvantage of making this capacitor larger is that the coil current rising slope will become less steep.

Although the rising slope of the coil current is essentially determined by the inductance component of the coil, if the capacitor is made larger and its time constant increases, the slope of the rise of the coil current will become dependent on the capacitor value.

For the above reasons, especially if high-speed shutter drive is required, the value of the capacitor connected to the FC pin should as small as possible as long as the output does not oscillate (the range roughly from 0.0015 to 0.033 μF).

## (5) Constant voltage control: oscillation stopping capacitors (OUT1 to OUT8)

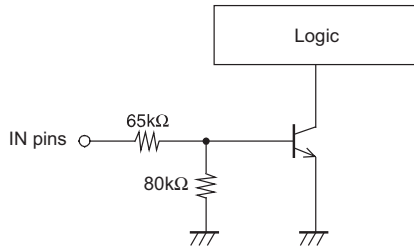
If constant voltage control is used, capacitors must be connected across the outputs to stop oscillation. Consider values in the range 0.01 to 0.1 $\mu$ F and select capacitor values such that oscillation in the output is not a problem. Note that if the output is driven at saturation, these oscillator prevention capacitors are not required.

## (6) Ground and power supply line capacitors (PGND, SGND, V<sub>CC</sub>, VB1, VB2, V<sub>DD</sub>)

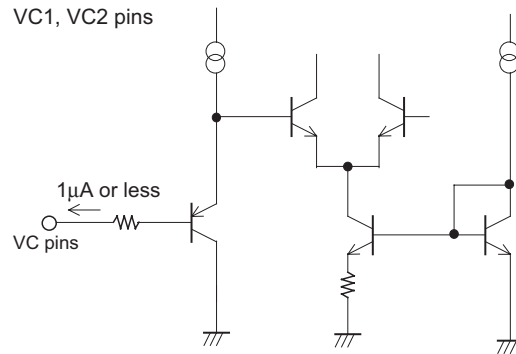
Capacitors must be inserted between PGND (two locations) and SGND and each of the power supply pins. These capacitors must be positioned as close as possible to the IC.

## (7) Input pin equivalent circuits

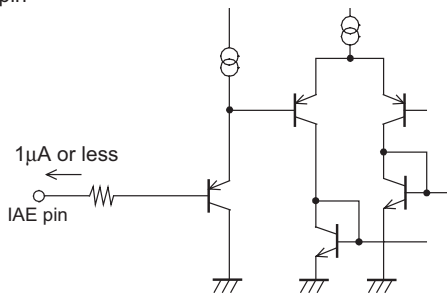
IN1 to IN12, INHD pins



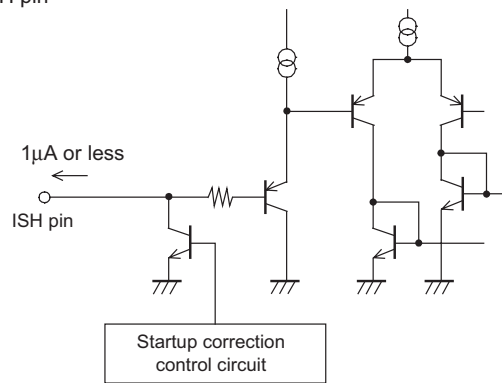
VC1, VC2 pins



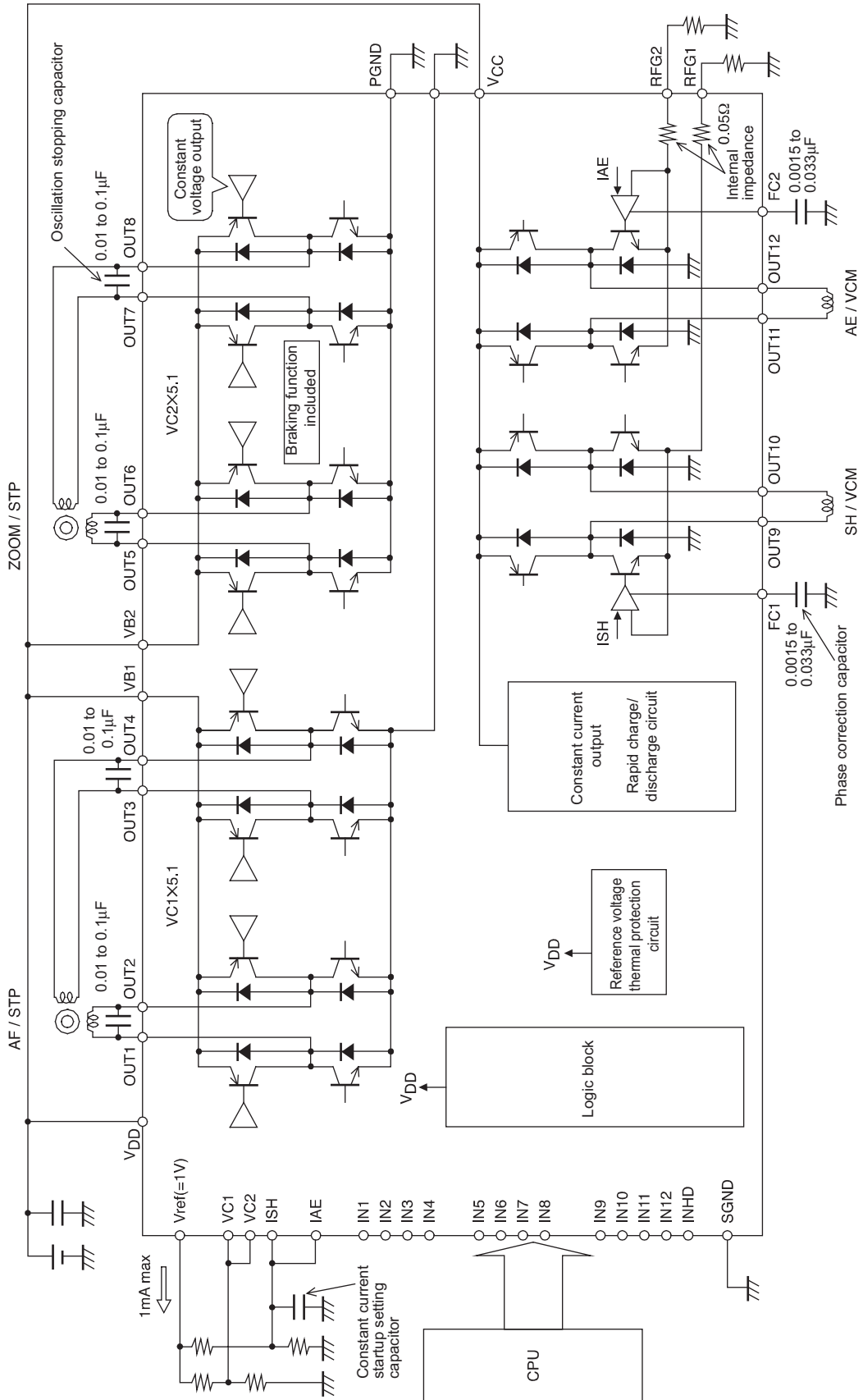
IAE pin



ISH pin



Block Diagram





- SANYO Semiconductor Co.,Ltd. assumes no responsibility for equipment failures that result from using products at values that exceed, even momentarily, rated values (such as maximum ratings, operating condition ranges, or other parameters) listed in products specifications of any and all SANYO Semiconductor Co.,Ltd. products described or contained herein.
- SANYO Semiconductor Co.,Ltd. strives to supply high-quality high-reliability products, however, any and all semiconductor products fail or malfunction with some probability. It is possible that these probabilistic failures or malfunction could give rise to accidents or events that could endanger human lives, trouble that could give rise to smoke or fire, or accidents that could cause damage to other property. When designing equipment, adopt safety measures so that these kinds of accidents or events cannot occur. Such measures include but are not limited to protective circuits and error prevention circuits for safe design, redundant design, and structural design.
- In the event that any or all SANYO Semiconductor Co.,Ltd. products described or contained herein are controlled under any of applicable local export control laws and regulations, such products may require the export license from the authorities concerned in accordance with the above law.
- No part of this publication may be reproduced or transmitted in any form or by any means, electronic or mechanical, including photocopying and recording, or any information storage or retrieval system, or otherwise, without the prior written consent of SANYO Semiconductor Co.,Ltd.
- Any and all information described or contained herein are subject to change without notice due to product/technology improvement, etc. When designing equipment, refer to the "Delivery Specification" for the SANYO Semiconductor Co.,Ltd. product that you intend to use.
- Information (including circuit diagrams and circuit parameters) herein is for example only; it is not guaranteed for volume production.
- Upon using the technical information or products described herein, neither warranty nor license shall be granted with regard to intellectual property rights or any other rights of SANYO Semiconductor Co.,Ltd. or any third party. SANYO Semiconductor Co.,Ltd. shall not be liable for any claim or suits with regard to a third party's intellectual property rights which has resulted from the use of the technical information and products mentioned above.

This catalog provides information as of March, 2007. Specifications and information herein are subject to change without notice.