

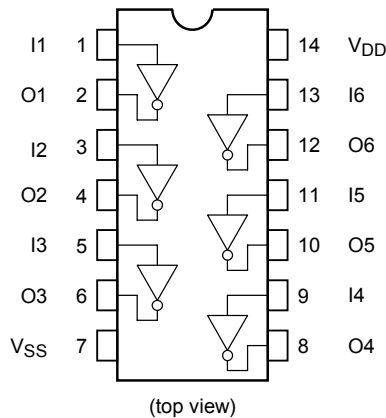
TC4069UBP, TC4069UBF, TC4069UBFN, TC4069UBFT

TC4069UB Hex Inverter

TC4069UB contains six circuits of inverters. Since the internal circuit is composed of a single stage inverter, this is suitable for the applications of CR oscillator circuits, crystal oscillator circuits and linear amplifiers in addition to its application as inverters.

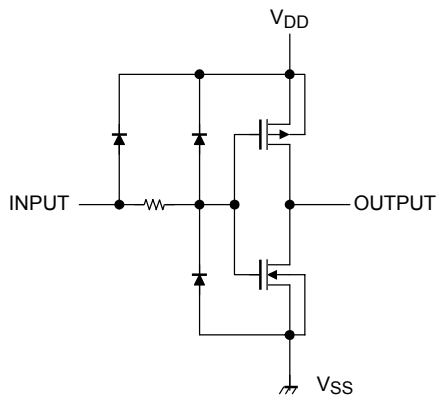
Because of one stage gate configuration, the propagation time has been reduced.

Pin Assignment



Circuit Diagram

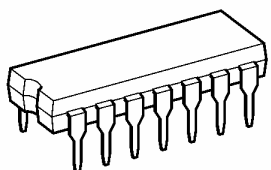
1/6 TC4069UB



Weight	
DIP14-P-300-2.54	: 0.96 g (typ.)
SOP14-P-300-1.27A	: 0.18 g (typ.)
SOP14-P-300-1.27	: 0.18 g (typ.)
SOL14-P-150-1.27	: 0.12 g (typ.)
TSSOP14-P-0044-0.65A	: 0.06 g (typ.)

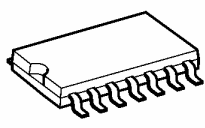
Note: xxxFN (JEDEC SOP) is not available in Japan.

TC4069UBP

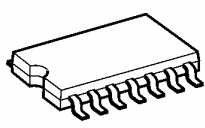


DIP14-P-300-2.54

TC4069UBF

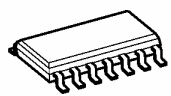


SOP14-P-300-1.27A



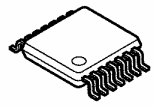
SOP14-P-300-1.27

TC4069UBFN



SOL14-P-150-1.27

TC4069UBFT



TSSOP14-P-0044-0.65A

Absolute Maximum Ratings (Note)

Characteristics	Symbol	Rating	Unit
DC supply voltage	V_{DD}	$V_{SS} - 0.5$ to $V_{SS} + 20$	V
Input voltage	V_{IN}	$V_{SS} - 0.5$ to $V_{DD} + 0.5$	V
Output voltage	V_{OUT}	$V_{SS} - 0.5$ to $V_{DD} + 0.5$	V
DC input current	I_{IN}	± 10	mA
Power dissipation	P_D	300 (DIP)/180 (SOIC)	mW
Operating temperature range	T_{opr}	-40 to 85	°C
Storage temperature range	T_{stg}	-65 to 150	°C

Note: Exceeding any of the absolute maximum ratings, even briefly, lead to deterioration in IC performance or even destruction.

Recommended Operating Conditions ($V_{SS} = 0$ V) (Note)

Characteristics	Symbol	Test Condition	Min	Typ.	Max	Unit
DC supply voltage	V_{DD}	—	3	—	18	V
Input voltage	V_{IN}	—	0	—	V_{DD}	V

Note: The recommended operating conditions are required to ensure the normal operation of the device. Unused inputs must be tied to either VCC or GND.

Static Electrical Characteristics (V_{SS} = 0 V)

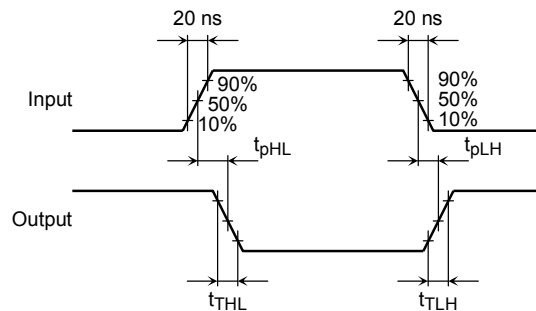
Characteristics	Symbol	Test Condition	V _{DD} (V)	-40°C		25°C			85°C		Unit
				Min	Max	Min	Typ.	Max	Min	Max	
High-level output voltage	V _{OH}	I _{OUT} < 1 μA V _{IN} = V _{SS} , V _{DD}	5	4.95	—	4.95	5.00	—	4.95	—	V
			10	9.95	—	9.95	10.00	—	9.95	—	
			15	14.95	—	14.95	15.00	—	14.95	—	
Low-level output voltage	V _{OL}	I _{OUT} < 1 μA V _{IN} = V _{SS} , V _{DD}	5	—	0.05	—	0.00	0.05	—	0.05	V
			10	—	0.05	—	0.00	0.05	—	0.05	
			15	—	0.05	—	0.00	0.05	—	0.05	
Output high current	I _{OH}	V _{OH} = 4.6 V	5	-0.61	—	-0.51	-1.0	—	-0.42	—	mA
		V _{OH} = 2.5 V	5	-2.50	—	-2.10	-4.0	—	-1.70	—	
		V _{OH} = 9.5 V	10	-1.50	—	-1.30	-2.2	—	-1.10	—	
		V _{OH} = 13.5 V	15	-4.00	—	-3.40	-9.0	—	-2.80	—	
		V _{IN} = V _{SS}									
Output low current	I _{OL}	V _{OL} = 0.4 V	5	0.61	—	0.51	1.2	—	0.42	—	mA
		V _{OL} = 0.5 V	10	1.50	—	1.30	3.2	—	1.10	—	
		V _{OL} = 1.5 V	15	4.00	—	3.40	12.0	—	2.80	—	
		V _{IN} = V _{DD}									
Input high voltage	V _{IH}	V _{OUT} = 0.5 V, 4.5 V	5	4.0	—	4.0	—	—	4.0	—	mA
		V _{OUT} = 1.0 V, 9.0 V	10	8.0	—	8.0	—	—	8.0	—	
		V _{OUT} = 1.5 V, 13.5 V	15	12.0	—	12.0	—	—	12.0	—	
		I _{OUT} < 1 μA									
Input low voltage	V _{IL}	V _{OUT} = 0.5 V, 4.5 V	5	—	1.0	—	—	1.0	—	1.0	mA
		V _{OUT} = 1.0 V, 9.0 V	10	—	2.0	—	—	2.0	—	2.0	
		V _{OUT} = 1.5 V, 13.5 V	15	—	3.0	—	—	3.0	—	3.0	
		I _{OUT} < 1 μA									
Input current	"H" level	I _{IH}	V _{IL} = 18 V	18	—	0.1	—	10 ⁻⁵	0.1	—	μA
	"L" level	I _{IL}	V _{IL} = 0 V	18	—	-0.1	—	-10 ⁻⁵	-0.1	—	
Quiescent supply current	I _{DD}	V _{IN} = V _{SS} , V _{DD} (Note)	5	—	0.25	—	0.001	0.25	—	7.5	μA
			10	—	0.50	—	0.001	0.50	—	15.0	
			15	—	1.00	—	0.002	1.00	—	30.0	

Note: All valid input combinations.

Dynamic Electrical Characteristics (Ta = 25°C, VSS = 0 V, CL = 50 pF)

Characteristics	Symbol	Test Condition	VDD (V)	Min	Typ.	Max	Unit
Output transition time (low to high)	t _{TLH}	—	5	—	70	200	ns
			10	—	35	100	
			15	—	30	80	
Output transition time (high to low)	t _{THL}	—	5	—	70	200	ns
			10	—	35	100	
			15	—	30	80	
Propagation delay time (low to high)	t _{pLH}	—	5	—	55	110	ns
			10	—	30	60	
			15	—	25	50	
Propagation delay time (high to low)	t _{pHL}	—	5	—	55	110	ns
			10	—	30	60	
			15	—	25	50	
Input capacitance	C _{IN}	—	—	7.5	15	pF	

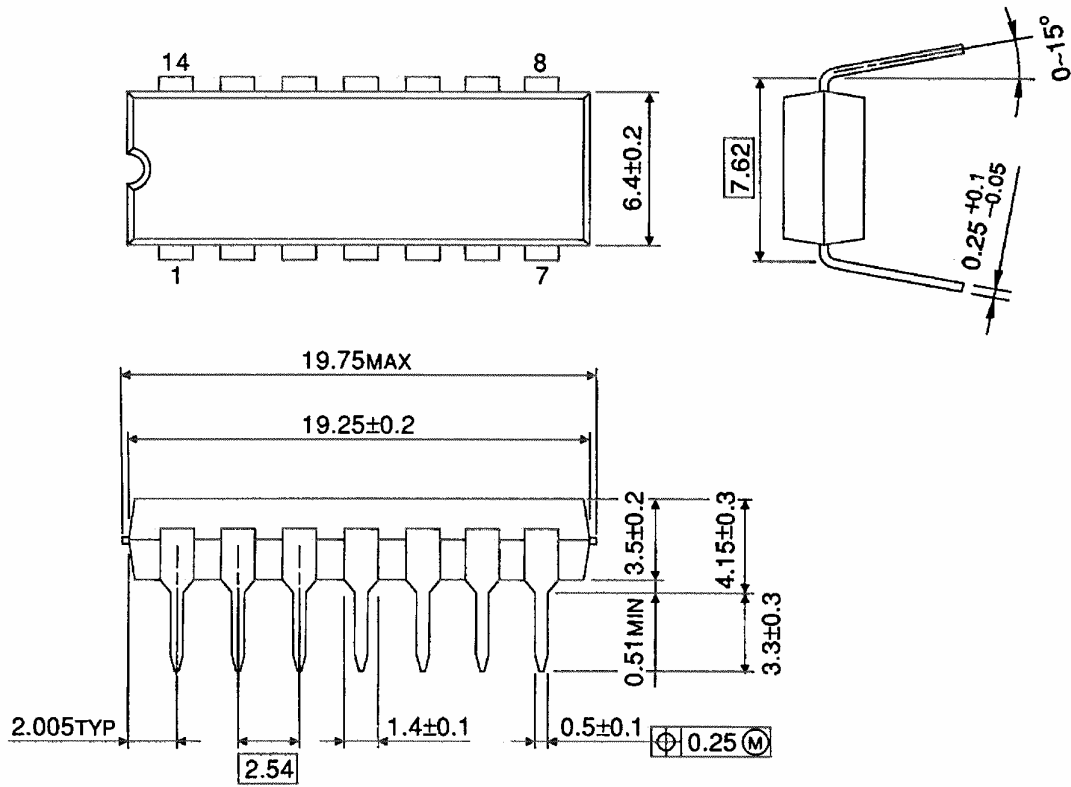
Waveform for Measurement of Dynamic Characteristics



Package Dimensions

DIP14-P-300-2.54

Unit : mm

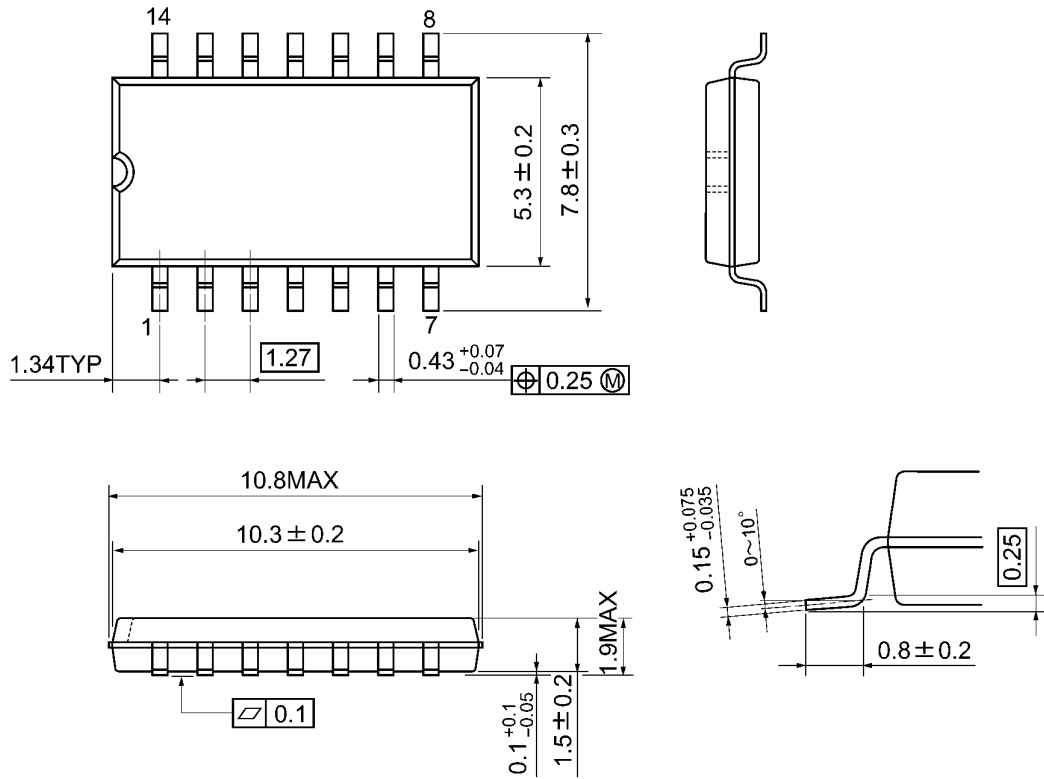


Weight: 0.96 g (typ.)

Package Dimensions

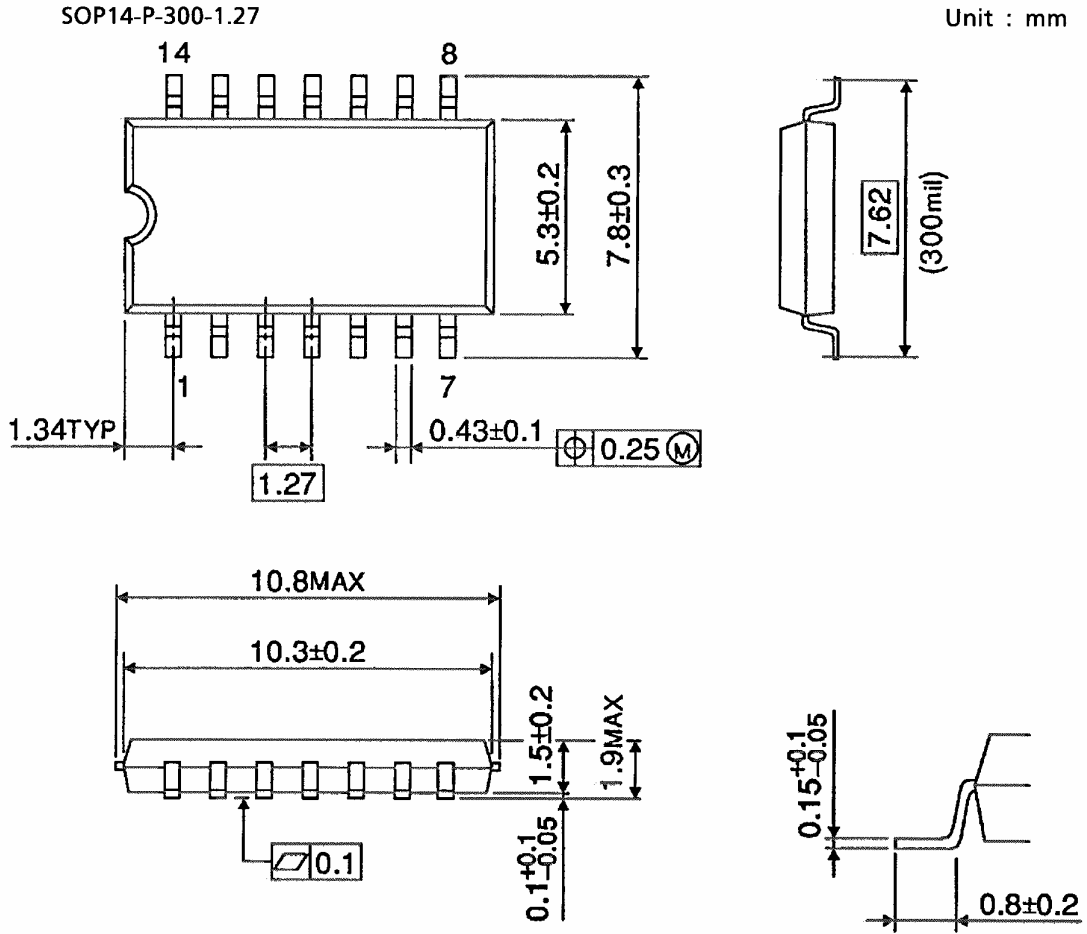
SOP14-P-300-1.27A

Unit: mm



Weight: 0.18 g (typ.)

Package Dimensions

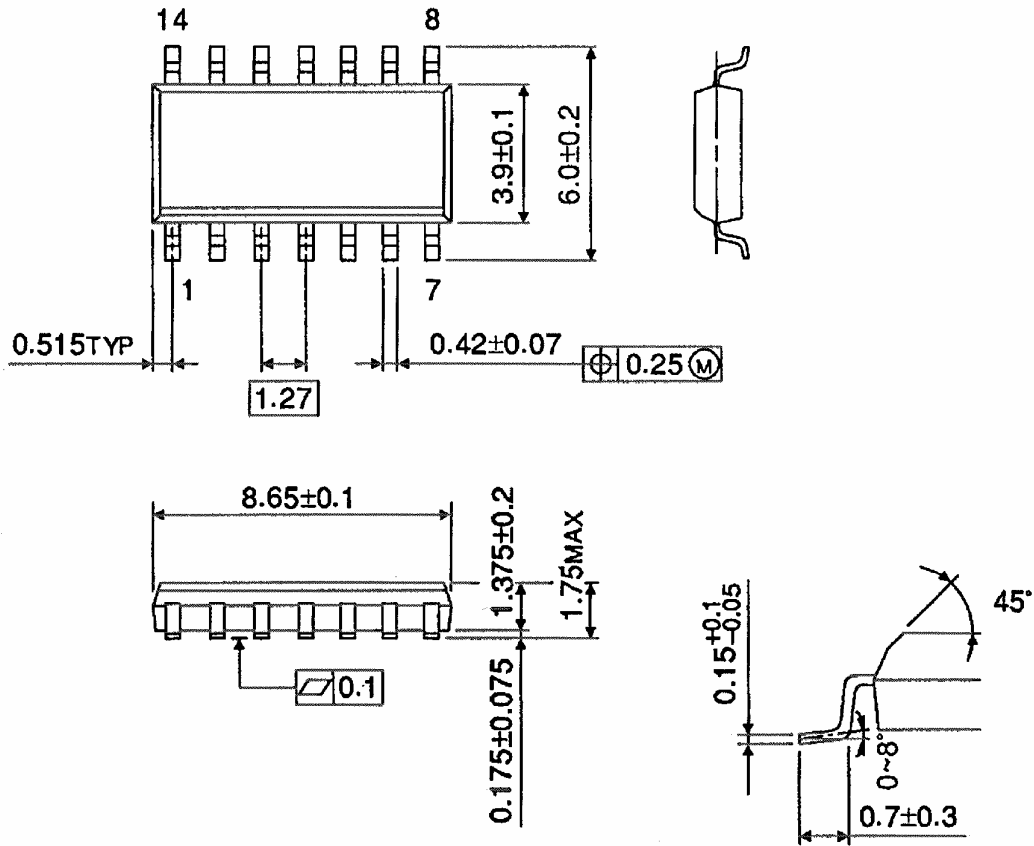


Weight: 0.18 g (typ.)

Package Dimensions (Note)

SOL14-P-150-1.27

Unit : mm



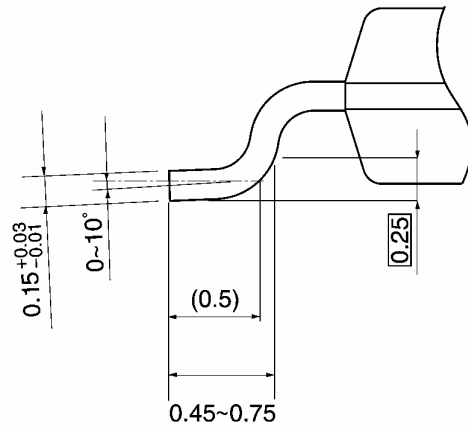
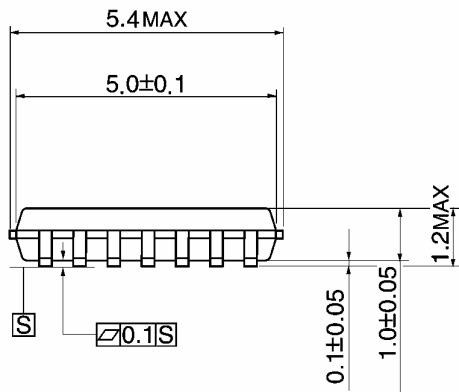
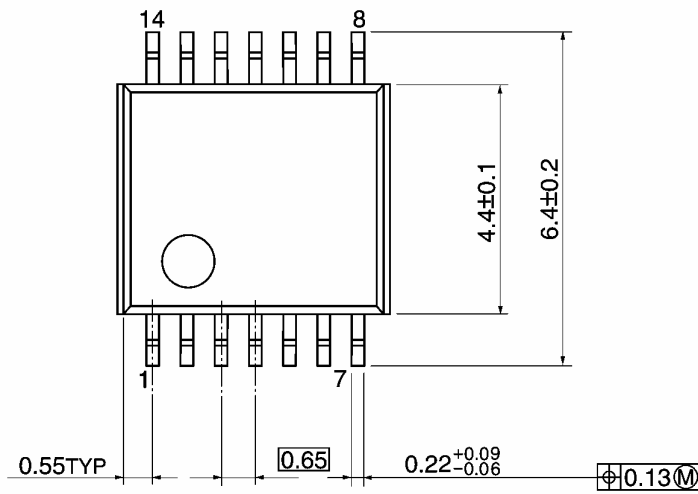
Note: This package is not available in Japan.

Weight: 0.12 g (typ.)

Package Dimensions

TSSOP14-P-0044-0.65A

Unit: mm



Weight: 0.06 g (typ.)

Note: Lead (Pb)-Free Packages**DIP14-P-300-2.54 SOP14-P-300-1.27A SOL14-P-150-1.27 TSSOP14-P-0044-0.65A****RESTRICTIONS ON PRODUCT USE**

060116EBA

- The information contained herein is subject to change without notice. 021023_D
- TOSHIBA is continually working to improve the quality and reliability of its products. Nevertheless, semiconductor devices in general can malfunction or fail due to their inherent electrical sensitivity and vulnerability to physical stress. It is the responsibility of the buyer, when utilizing TOSHIBA products, to comply with the standards of safety in making a safe design for the entire system, and to avoid situations in which a malfunction or failure of such TOSHIBA products could cause loss of human life, bodily injury or damage to property.
In developing your designs, please ensure that TOSHIBA products are used within specified operating ranges as set forth in the most recent TOSHIBA products specifications. Also, please keep in mind the precautions and conditions set forth in the "Handling Guide for Semiconductor Devices," or "TOSHIBA Semiconductor Reliability Handbook" etc. 021023_A
- The TOSHIBA products listed in this document are intended for usage in general electronics applications (computer, personal equipment, office equipment, measuring equipment, industrial robotics, domestic appliances, etc.). These TOSHIBA products are neither intended nor warranted for usage in equipment that requires extraordinarily high quality and/or reliability or a malfunction or failure of which may cause loss of human life or bodily injury ("Unintended Usage"). Unintended Usage include atomic energy control instruments, airplane or spaceship instruments, transportation instruments, traffic signal instruments, combustion control instruments, medical instruments, all types of safety devices, etc. Unintended Usage of TOSHIBA products listed in this document shall be made at the customer's own risk. 021023_B
- The products described in this document shall not be used or embedded to any downstream products of which manufacture, use and/or sale are prohibited under any applicable laws and regulations. 060106_Q
- The information contained herein is presented only as a guide for the applications of our products. No responsibility is assumed by TOSHIBA for any infringements of patents or other rights of the third parties which may result from its use. No license is granted by implication or otherwise under any patent or patent rights of TOSHIBA or others. 021023_C
- The products described in this document are subject to the foreign exchange and foreign trade laws. 021023_E