

**Characteristics**

$C_N$	1x 100 $\mu$ F $\pm$ 5 %	
$U_N$	AC 400 V	
$f_N$	50 Hz	60 Hz
$Q_N$	5 kvar	6 kvar
$I_N$	1x 13 A	16 A
$\tan \delta_0$	0,2 W/kvar (dielectric)	

**Maximum ratings**

$U_{max}$	AC 440 V, 8 h daily AC 520 V, 1 min
$I_r(40)$	1x 35 A ( $\Theta_A = 40^\circ\text{C}$ , $U_N$ )
$I_s$	3500 A
$(du/dt)_{max}$	14 V/ $\mu$ s
$(du/dt)_s$	35 V/ $\mu$ s

**Test data**

$U_{TT}$	AC 900 V, 10 s
$U_{TC}$	AC 3000 V, 10 s
$\tan \delta$ (50 Hz)	$\leq 0,5$ W/kvar (total)

**Climatic category -40/D**

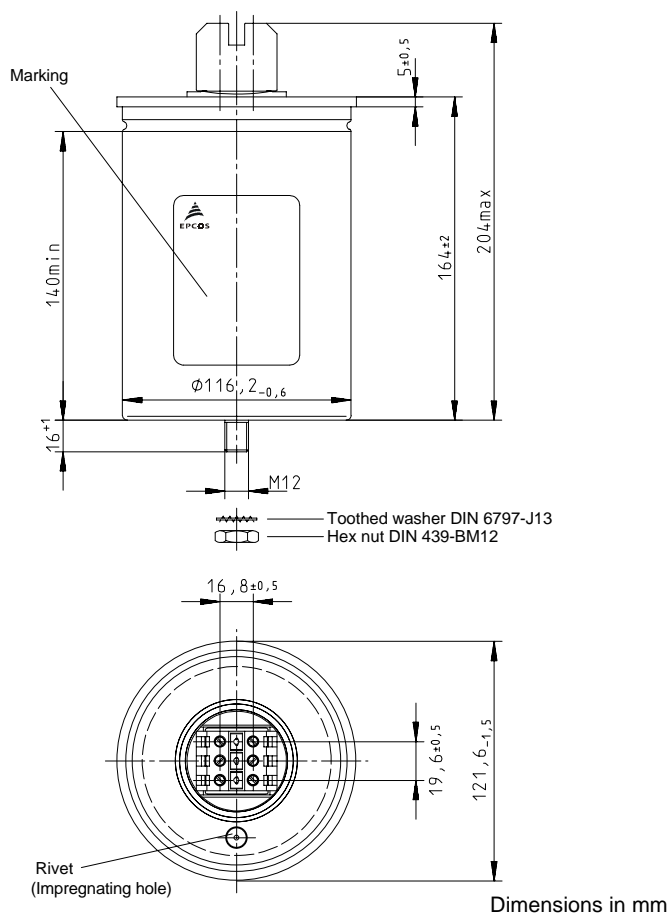
$\Theta_{min}$	-40 °C
$\Theta_{max}$	+55 °C
Humidity	Max. relative Humidity $\leq 95$ %
$\Theta_{stg}$	-55 bis +70 °C

**Life expectancy**

$t_{LD}$	100 000 h
----------	-----------

**Remarks**

Natural cooling



**Design data**

Dimensions $\varnothing$ x l	121,6 x 164 mm (4,79 x 6,46 in)
Approx. weight	1,1 kg (2,4 lb)
Impregnation	Gas
Fixing	Threaded bolt M12
Mounting hole	14 mm (0,55 in)
Max. torque	10 Nm
Terminals	Isolated terminal, IP20
Max. torque	1,2 Nm
Terminal cross section	16 mm <sup>2</sup> (5 AWG)
Creepage distance	12,7 mm (0,50 in)
Clearance	9,6 mm (0,38 in)
Overpressure disconnecter	
Any mounting position possible	