

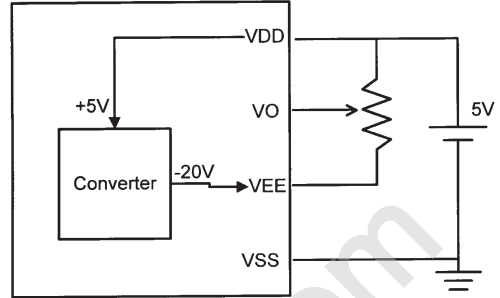
AG-240128C

•240x128 dots 1/128 Duty

FEATURE

- 1.Construction : STN/FSTN LCD, Bezel, Heat Seal, Zebra and PCB.
- 2.Optional LED or EL back-light.
- 3.Built-in Controller / Pure Driver.
- 4.5V single power input. Built-in DC/DC converter for LCD driving.
- 5.Normal / Extended temperature type.

POWER SUPPLY



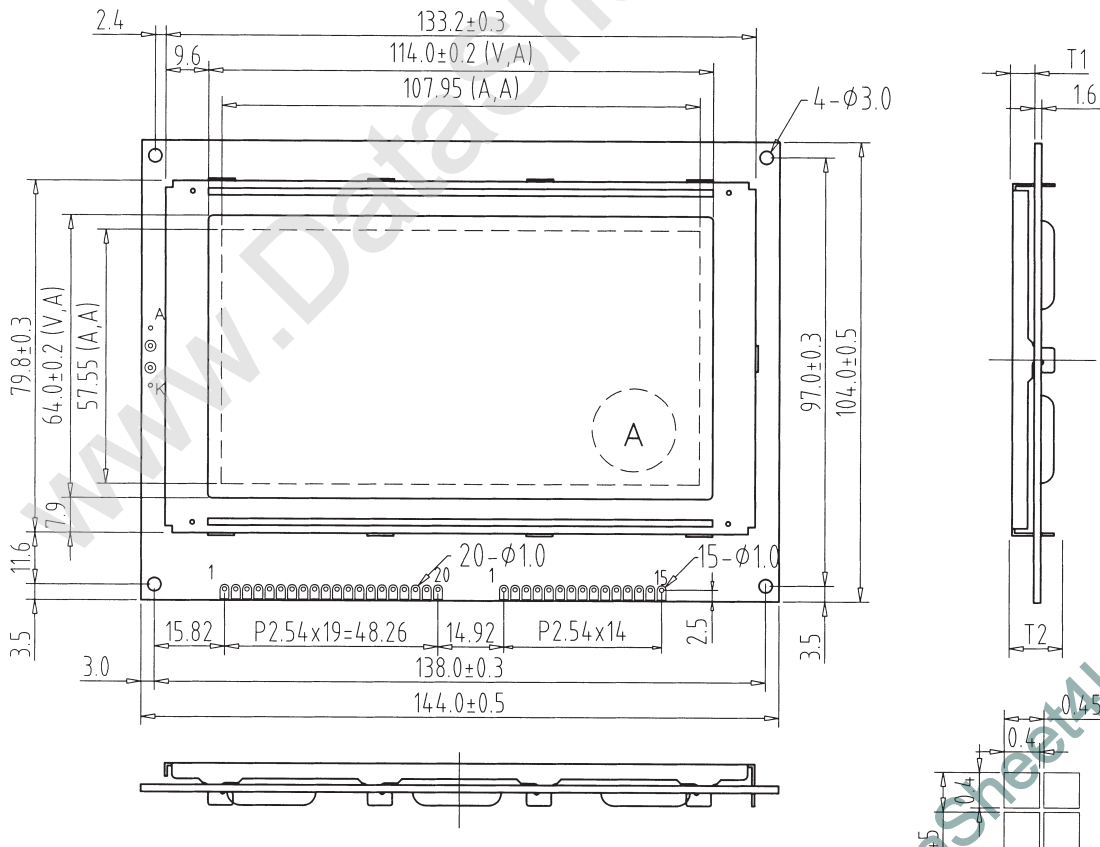
ELECTRICAL CHARACTERISTICS

| Item | Symbol | Condition | Typ.Value | Unit. |
|-----------------------------|--------|-----------|-----------|-------|
| LCD Driving Voltage | VDD-VO | 25°C | 18.9 | V |
| Supply Current (Controller) | IDD | VDD=5.0V | 25 | mA |
| Supply Current (Driver) | IDD | VDD=5.0V | 15 | mA |

BUILT-IN CONTROLLER

PURE DRIVER

| 1 | 2 | 3 | 4 | 5 | 6 | 7 | 8 | 9 | 10 | 1 | 2 | 3 | 4 | 5 | 6 | 7 | 8 | 9 | 10 |
|-----|-----|-----|-----|-----|-----|-----|-----|-------|-------|-----|----|----------|-------|-------|-----|-----|----|----|----|
| VEE | VSS | VDD | VO | /WR | /RD | /CE | C/D | /RES | DB0 | FLM | CP | LP | M | VDD | VSS | VEE | DO | D1 | D2 |
| 11 | 12 | 13 | 14 | 15 | 16 | 17 | 18 | 19 | 20 | 11 | 12 | 13 | 14 | 15 | | | | | |
| DB1 | DB2 | DB3 | DB4 | DB5 | DB6 | DB7 | FS | A/EL1 | K/EL2 | D3 | VO | /DISPOFF | A/EL1 | K/EL2 | | | | | |



THICKNESS:

| VERSION | T1 | T2 |
|-------------------|-----------|---------|
| EL & NO BACKLIGHT | 5.5 ± 0.3 | 12.0Max |
| LED BACKLIGHT | 9.0 ± 0.3 | 15.0Max |