



SGF31

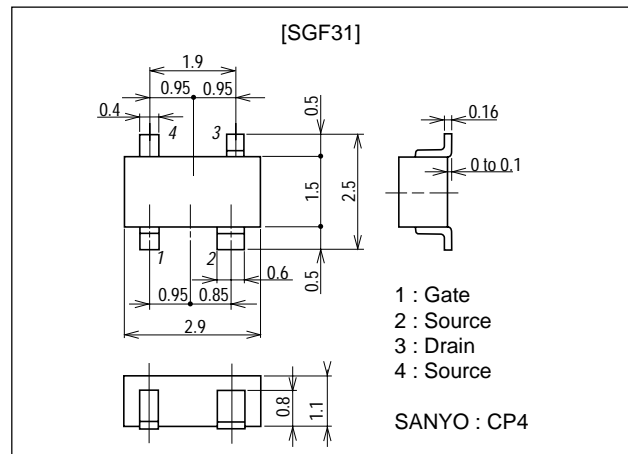
For C to Ku-band Local Oscillator and Amplifier

Features

- Lower phase noise.
- The chip surface is covered with the highly reliable protection film.
- Super miniaturized plastic-mold package (CP4).
- Automatic surface mounting is available.

Package Dimensions

unit : mm
2134A



Specifications

Absolute Maximum Ratings at Ta=25°C

Parameter	Symbol	Conditions	Ratings	Unit
Drain-to-Source Voltage	V _{DS}		6	V
Gate-to-Source Voltage	V _{GS}		-5	V
Drain Current	I _D		100	mA
Allowable Power Dissipation	P _D		200	mW
Junction Temperature	T _J		150	°C
Storage Temperature	T _{stg}		-55 to +150	°C

Electrical Characteristics at Ta=25°C

Parameter	Symbol	Conditions	Ratings			Unit
			min	typ	max	
Gate-to-Source Leakage Current	I _{GSO}	V _{GS} =-5V			-10	μA
Saturated Drain Current	I _{DSS}	V _{DS} =3V, V _{GS} =0	30	50	70	mA
Gate-to-Source Cutoff Voltage	V _{GS(off)}	V _{DS} =3V, I _D =100μA	-0.5	-1.6	-2.7	V
Forward Transfer Admittance	y _{fs}	V _{DS} =3V, I _D =10mA		34		mS

■ Any and all SANYO products described or contained herein do not have specifications that can handle applications that require extremely high levels of reliability, such as life-support systems, aircraft's control systems, or other applications whose failure can be reasonably expected to result in serious physical and/or material damage. Consult with your SANYO representative nearest you before using any SANYO products described or contained herein in such applications.

■ SANYO assumes no responsibility for equipment failures that result from using products at values that exceed, even momentarily, rated values (such as maximum ratings, operating condition ranges, or other parameters) listed in products specifications of any and all SANYO products described or contained herein.

SGF31

S-Parameter

SGF31

V_{DS}=3V I_{DS}=30mA

FREQUENCY MHz	S11		S21		S12		S22	
	MAG	ANG	MAG	ANG	MAG	ANG	MAG	ANG
3000.0000	.671	-120.6	2.964	81.8	.098	34.1	.514	-39.1
4000.0000	.585	-148.0	2.559	61.8	.104	31.2	.441	-52.3
5000.0000	.552	-173.3	2.276	43.0	.114	27.9	.389	-66.5
6000.0000	.550	163.0	2.044	24.7	.131	23.5	.342	-82.7
7000.0000	.573	141.4	1.850	6.8	.154	16.7	.299	-102.3
8000.0000	.611	122.0	1.686	-10.6	.178	7.6	.261	-126.3
9000.0000	.656	104.6	1.541	-27.6	.200	-2.5	.236	-155.4
10000.0000	.702	88.9	1.408	-44.2	.220	-13.0	.235	172.0
11000.0000	.747	74.5	1.284	-60.3	.240	-23.7	.263	140.4
12000.0000	.789	61.1	1.167	-76.1	.260	-35.0	.316	113.3
13000.0000	.827	48.4	1.058	-91.6	.277	-47.0	.384	90.7
14000.0000	.858	35.8	.954	-107.0	.289	-59.5	.457	71.4
15000.0000	.883	23.4	.848	-122.3	.296	-72.0	.533	54.1
16000.0000	.905	11.5	.716	-137.8	.299	-83.6	.625	37.8

SGF31

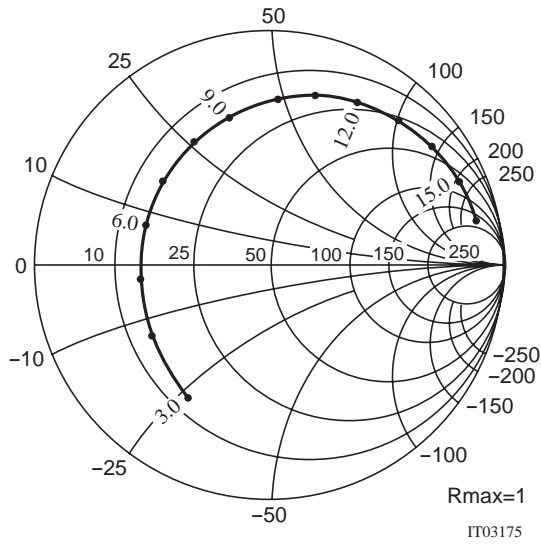
V_{DS}=3V I_{DS}=30mA

FREQUENCY MHz	G _{Umax} dB	G _{Amax} dB	S ₂₁ ² dB	S ₁₂ ² dB	K	Delay nsec	Mason's U dB	G ₁ dB	G ₂ dB
3000.0000	13.37		9.44	-20.21	.81	.057	20.258	2.60	1.33
4000.0000	10.93	12.95	8.16	-19.66	1.02	.054	18.447	1.82	.94
5000.0000	9.43	10.83	7.15	-18.87	1.13	.052	17.436	1.58	.71
6000.0000	8.32	9.79	6.21	-17.66	1.12	.051	17.386	1.56	.54
7000.0000	7.48	9.39	5.34	-16.27	1.05	.049	18.673	1.73	.41
8000.0000	6.87		4.54	-15.01	.97	.048	23.592	2.03	.31
9000.0000	6.45		3.76	-13.99	.88	.047		2.44	.25
10000.0000	6.17		2.97	-13.14	.80	.046		2.95	.25
11000.0000	6.02		2.17	-12.39	.73	.044		3.54	.31
12000.0000	6.03		1.34	-11.70	.65	.044		4.22	.46
13000.0000	6.17		.49	-11.14	.57	.043		4.99	.69
14000.0000	6.40		-.41	-10.77	.49	.043		5.79	1.02
15000.0000	6.57		-1.43	-10.58	.43	.043		6.55	1.45
16000.0000	6.68		-2.90	-10.50	.36	.043		7.43	2.15

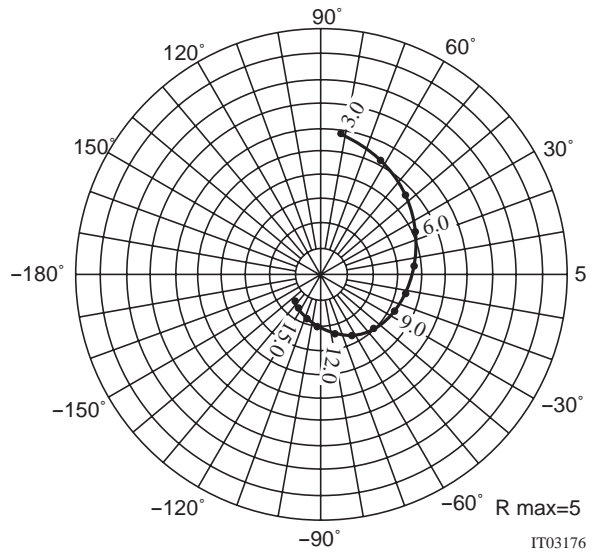
SGF31

S-Parameter $V_{DS}=3V$ $I_{DS}=30mA$, START 3 GHz STOP 16 GHz

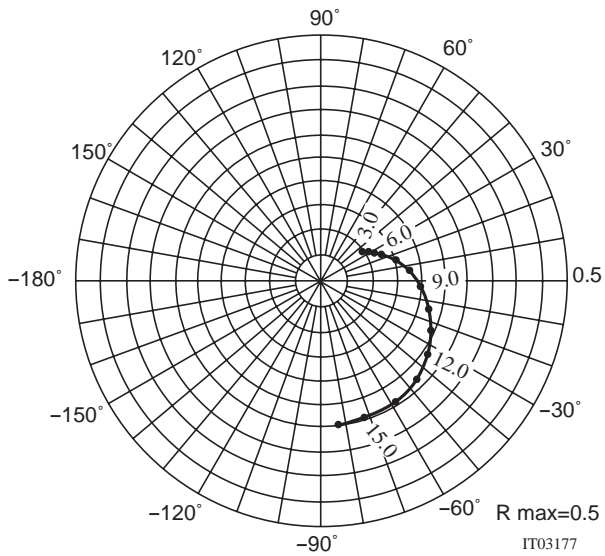
S11



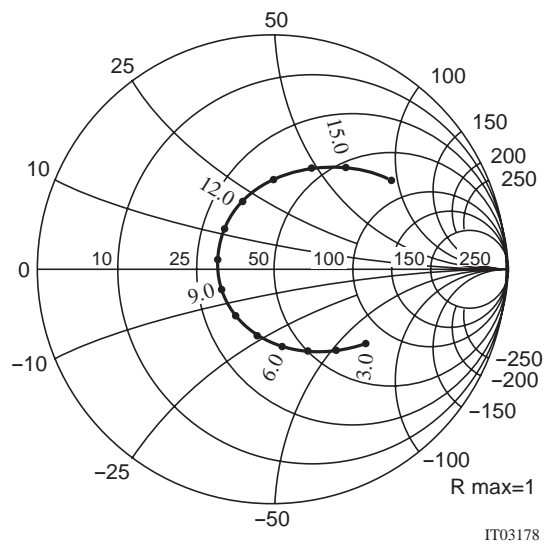
S21



S12



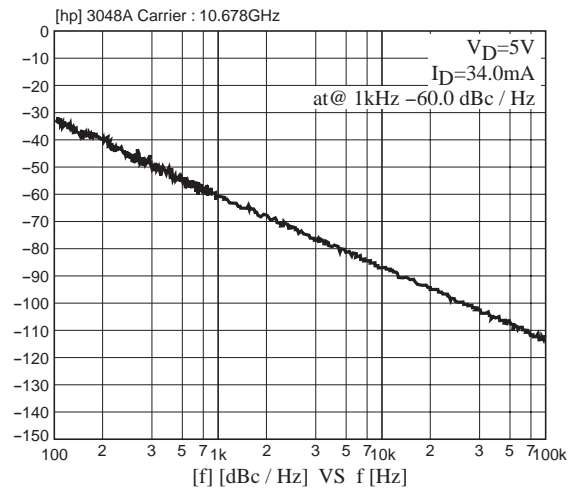
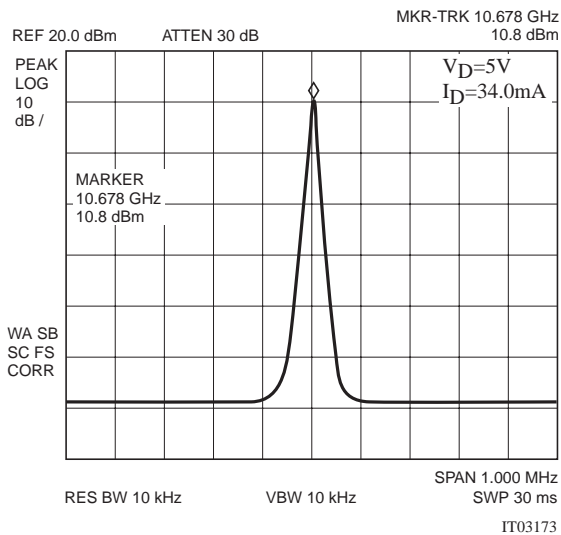
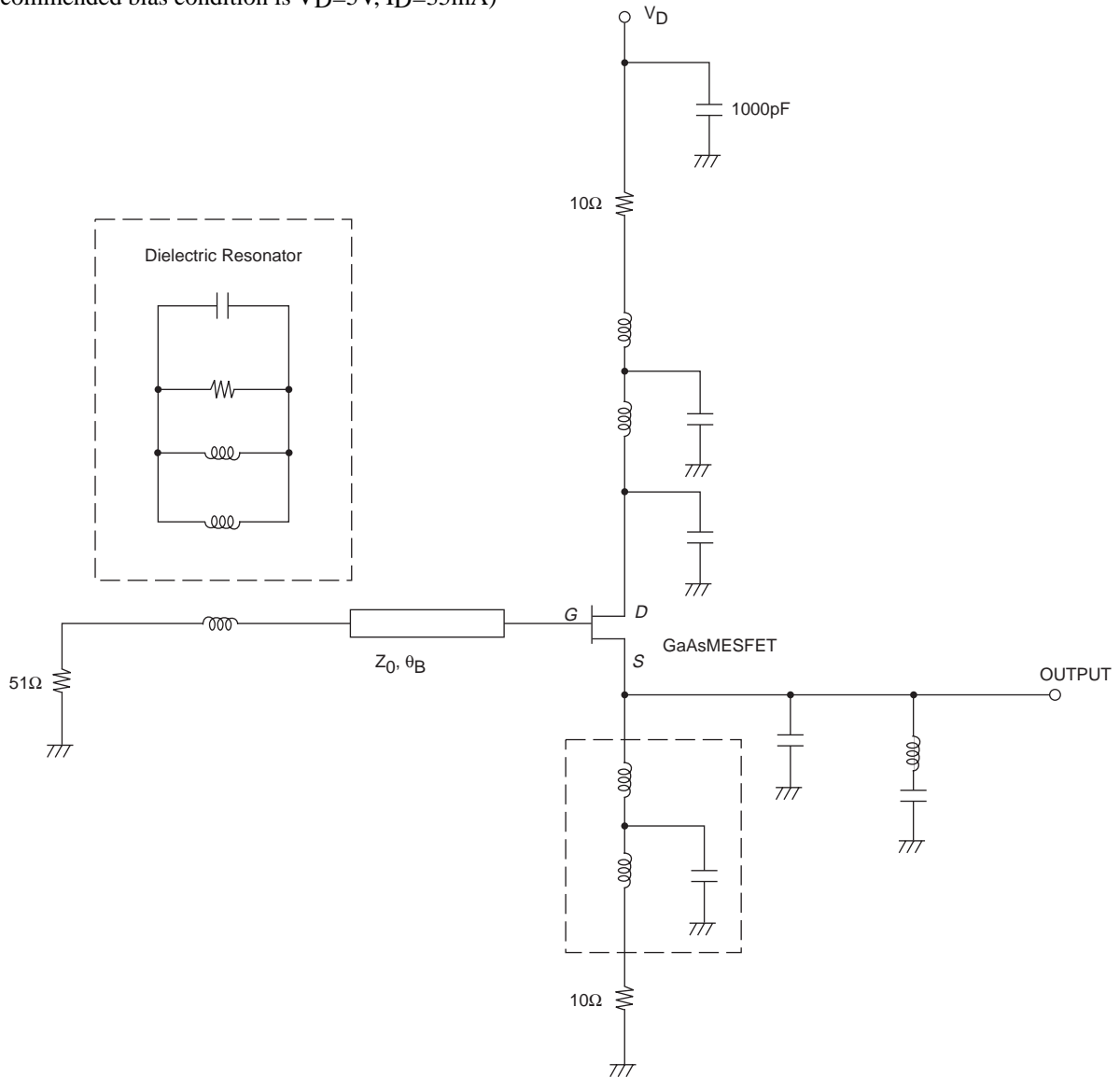
S22



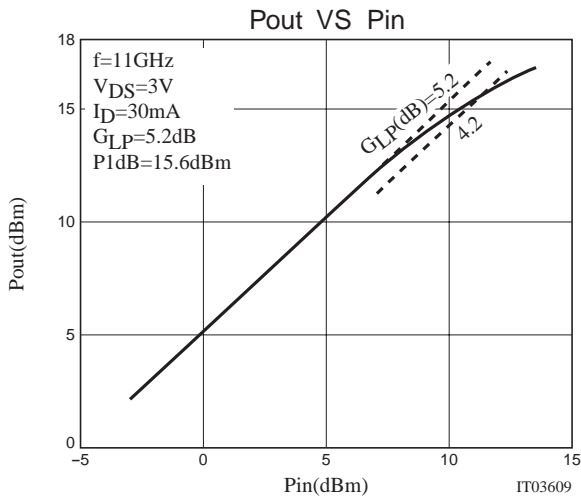
SGF31

Oscillation Characteristics Measured by the Application JIG for SGF31

Equivalent Circuit of the Application JIG
 (Recommended bias condition is $V_D=5V$, $I_D=35mA$)



Amplification Characteristics Measured by the DUT



- Specifications of any and all SANYO products described or contained herein stipulate the performance, characteristics, and functions of the described products in the independent state, and are not guarantees of the performance, characteristics, and functions of the described products as mounted in the customer's products or equipment. To verify symptoms and states that cannot be evaluated in an independent device, the customer should always evaluate and test devices mounted in the customer's products or equipment.
- SANYO Electric Co., Ltd. strives to supply high-quality high-reliability products. However, any and all semiconductor products fail with some probability. It is possible that these probabilistic failures could give rise to accidents or events that could endanger human lives, that could give rise to smoke or fire, or that could cause damage to other property. When designing equipment, adopt safety measures so that these kinds of accidents or events cannot occur. Such measures include but are not limited to protective circuits and error prevention circuits for safe design, redundant design, and structural design.
- In the event that any or all SANYO products (including technical data, services) described or contained herein are controlled under any of applicable local export control laws and regulations, such products must not be exported without obtaining the export license from the authorities concerned in accordance with the above law.
- No part of this publication may be reproduced or transmitted in any form or by any means, electronic or mechanical, including photocopying and recording, or any information storage or retrieval system, or otherwise, without the prior written permission of SANYO Electric Co., Ltd.
- Any and all information described or contained herein are subject to change without notice due to product/technology improvement, etc. When designing equipment, refer to the "Delivery Specification" for the SANYO product that you intend to use.
- Information (including circuit diagrams and circuit parameters) herein is for example only; it is not guaranteed for volume production. SANYO believes information herein is accurate and reliable, but no guarantees are made or implied regarding its use or any infringements of intellectual property rights or other rights of third parties.

This catalog provides information as of January, 2002. Specifications and information herein are subject to change without notice.