

SG12864I (128 DOTS X 64 DOTS)

FEATURES

- BUILT-IN CONTROLLER (KS0107 OR EQUIVALENT)
- +5 V POWER SUPPLY
- 1/64 DUTY CYCLE
- 8-BIT PARALLEL INTERFACE

MECHANICAL DATA

ITEM	DIMENSIONS	UNIT
Module Size (W x H x T)	78.0 x 70.0 x 10.5 (13.2 LED)	mm
Viewing Area (W x H)	62.0 x 44.0	mm
Active Area (W x H)	56.28 x 38.36	mm
Dot Size (W x H)	0.40 x 0.56	mm
Dot Pitch (W x H)	0.44 x 0.6	mm

INTERFACE PIN CONNECTIONS

NO.	SYMBOL	LEVEL	FUNCTION
1	/CS1	L	Chip Select Signal For IC1
2	/CS2	L	Chip Select Signal For IC2
3	Vss	0V	Power Supply Ground
4	VDD	5V	Power Supply Voltage
5	Vo	-	Contrast Adjustment Voltage
6	RS	H/L	Register Select
7	R/W	H/L	H : Read / L : Wrtie
8	E	H→L	Enable Signal
9~16	DB0~DB7	H/L	Data Bus Line
17	/RES	L	Reset Signal
18	Vout	-	Power Supply Voltage For LCD
19	A	4.2V	LED Power (+)
20	K	0V	LED Power (-)

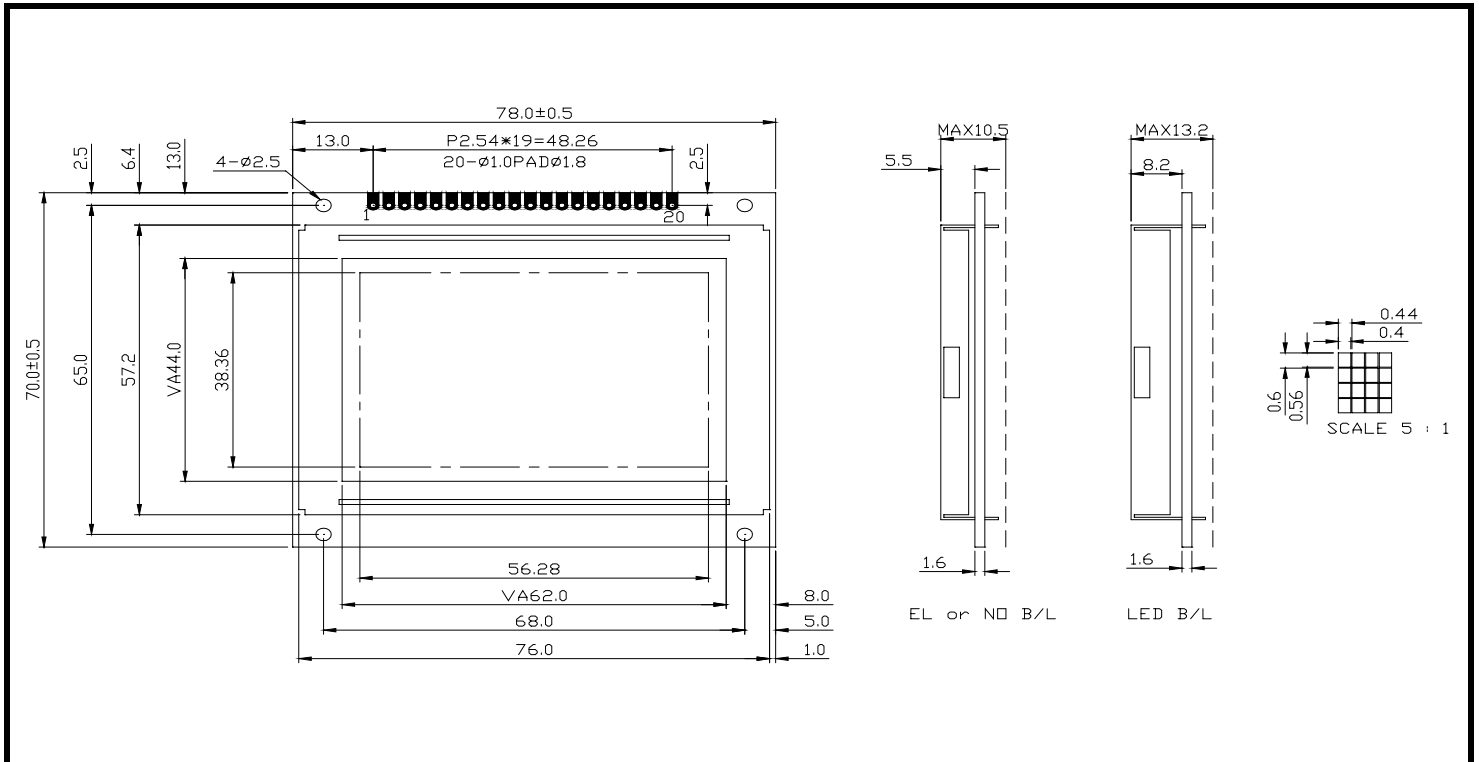
ABSOLUTE MAXIMUM RATINGS

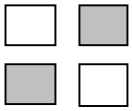
ITEM	SYMBOL	MIN.	TYP.	MAX.	UNIT
Supply Voltage For Logic	VDD-VSS	0	-	7	V
Supply Voltage For LCD Drive	VDD-Vo	0	-	14	V
Input Voltage	VI	VSS	-	VDD	V

ELECTRICAL CHARACTERISTICS

ITEM	SYMBOL	CONDITION	MIN.	TYP.	MAX.	UNIT	
Supply Voltage For Logic	VDD-VSS	-	4.5	5	5.5	V	
Supply Voltage For LCD	VDD-Vo	VDD=5V Ta=25	9.3	10.5	11.7	V	
Supply Current	IDD	VDD=5V	-	4.5	10	mA	
Input Voltage	"HIGH" Level	V _{IH}	-	2.2	-	V _{DD}	V
	"LOW" Level	V _{IL}	-	-	-	0.6	V
Output Voltage	"HIGH" Level	V _{OH}	-	2.4	-	-	V
	"LOW" Level	V _{OL}	-	-	-	0.4	V

EXTERNAL DIMENSIONS





SG12864I (128 DOTS X 64 DOTS)

TIMING CHARACTERISTICS

ITEM	SYMBOL	MIN.	TYP.	MAX.	UNIT.	FIG
E Cycle Time	t_{CYC}	1000	-	-	ns	1,2
E High Level Width	P_{WEH}	450	-	-	ns	1,2
E Low Level Width	P_{WEL}	450	-	-	ns	1,2
E Rise Time	t_r	-	-	25	ns	1,2
E Fall Time	t_f	-	-	25	ns	1,2
Address Setup Time	t_{AS}	140	-	-	ns	1,2
Address Hold Time	t_{AH}	10	-	-	ns	1,2
Data Setup Time	t_{DSW}	200	-	-	ns	1
Data Delay Time	t_{DDR}	-	-	320	ns	2
Data Hold Time	Write	t_{DHW}	10	-	ns	1
Data Hold Time	Read	t_{DHR}	20	-	ns	2

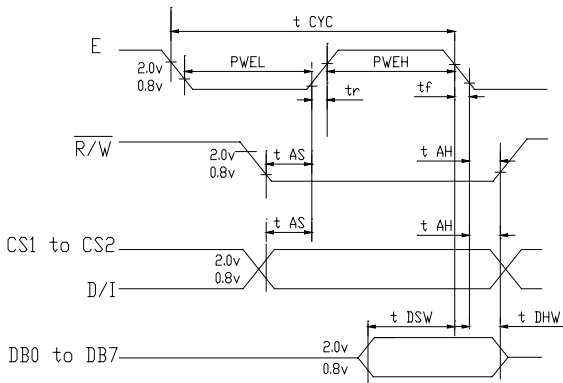


Fig1:CPU Write Timing

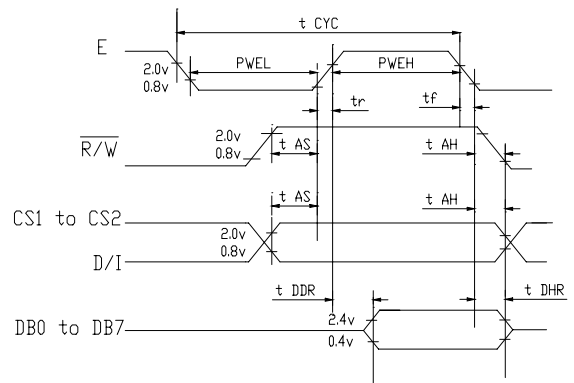


Fig2:CPU Read Timing

BLOCK DIAGRAM

