

# DATA SHEET

## **SA57608**

One-cell Lithium-ion battery protection  
with over/undercharge and overcurrent  
protection

Product data

2001 Oct 03



# One-cell Lithium-ion battery protection with over/undercharge and overcurrent protection

SA57608

## ORDERING INFORMATION

TYPE NUMBER	PACKAGE		TEMPERATURE RANGE
	NAME	DESCRIPTION	
SA57608XD	SOT-26A	small outline plastic surface mount, 6-pin	-20 to +85 °C

**NOTE:**

The device has six protection parameter options, indicated by the X on the order code, and defined in the following table.

## TYPICAL PROTECTION PARAMETERS

Part Number	Overcharge detection voltage (V)	Overcharge detection hysteresis voltage (mV)	Over-discharge detection voltage (V)	Overcurrent detection voltage (mV)
SA57608Y	4.350 ±0.050	180	2.30 ±0.070	150 ±30
SA57608B	4.280 ±0.025	180	2.30 ±0.058	75 ±30
SA57608C	4.295 ±0.025	150	2.30 ±0.058	200 ±30
SA57608D	4.350 ±0.050	180	2.30 ±0.070	200 ±30
SA57608E	4.275 ±0.025	200	2.30 ±0.058	100 ±30
SA57608G	4.280 ±0.025	200	2.30 ±0.058	100 ±30

## Part number marking

Each device is marked with a four letter code. The first three letters designate the product. The fourth letter, represented by 'x', is a date tracking code.

Part number	Marking
SA57608YD	A G X x
SA57608BD	A G Y x
SA57608CD	A G Z x
SA57608DD	A H A x
SA57608ED	A H B x
SA57608GD	A H D x

## PIN CONFIGURATION

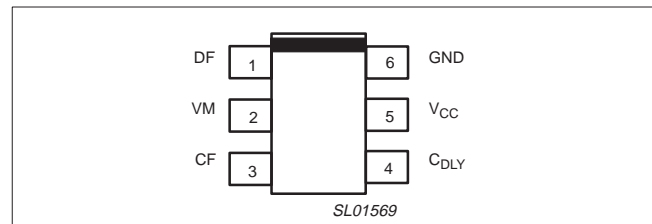


Figure 2. Pin configuration.

## PIN DESCRIPTION

PIN	SYMBOL	DESCRIPTION
1	DF	Discharge detection pin. This drives the gate of the discharge N-ch FET
2	VM	Monitor pin. Detects overcurrent and the presence of a charger.
3	CF	Charge FET pin. This drives the gate of the charge control N-ch FET
4	C <sub>DLY</sub>	Charge Time Delay pin. The capacitor connected to this pin sets the delay
5	V <sub>CC</sub>	Positive supply voltage input pin. Connect to positive terminal of the cell.
6	GND	Ground pin. Connect to negative terminal of the cell

## MAXIMUM RATINGS

SYMBOL	PARAMETER	MIN.	MAX.	UNIT
V <sub>IN</sub>	Input voltage	-0.3	+12	V
V <sub>CF(max)</sub>	CF pin voltage	V <sub>CC</sub> - 28	V <sub>CC</sub> + 0.3	V
V <sub>VM(max)</sub>	VM pin voltage	V <sub>CC</sub> - 28	V <sub>CC</sub> + 0.3	V
T <sub>opr</sub>	Operating ambient temperature range	-40	+85	°C
T <sub>stg</sub>	Storage temperature	-40	+125	°C
P <sub>D</sub>	Power dissipation	-	150	mW

# One-cell Lithium-ion battery protection with over/undercharge and overcurrent protection

SA57608

## ELECTRICAL CHARACTERISTICS

Characteristics measured with  $T_{amb} = 25\text{ }^{\circ}\text{C}$ , unless otherwise specified.

SYMBOL	PARAMETER	CONDITIONS	MIN.	TYP.	MAX.	UNIT	
$V_{DD1}$	Operating input voltage	$V_{CC} - \text{GND}$ ; Voltage defined as $V_{DD}$ to $V_M$	1.5	–	10	V	
$I_{DD}$	Supply current	$V_{CC} = 3.9\text{ V}$ ; $V_M = 0\text{ V}$	–	3.0	8.0	mA	
$I_{SLP}$	Sleep current	$V_{CC} = 2.0\text{ V}$	–	0.3	0.6	mA	
$V_{DD(\text{min})}$	Minimum operating voltage for 0 V charging	$V_{CC} - \text{GND}$	–	–	1.2	V	
$V_{OV1(\text{th})}$	Over-charge voltage threshold	$T_{amb} = 0\text{ }^{\circ}\text{C} \sim 50\text{ }^{\circ}\text{C}$ ; $V_{BATT} : \text{L} \rightarrow \text{H}$	SA57608Y	4.30	4.35	4.40	V
			SA57608B	4.255	4.280	4.305	V
			SA57608C	4.27	4.295	4.32	V
			SA57608D	4.30	4.350	4.40	V
			SA57608E	4.25	4.275	4.3	V
			SA57608G	4.255	4.280	4.305	V
$V_{OV1(\text{hyst})}$	Over-charge hysteresis	$V_{CC} : \text{H} \rightarrow \text{L}$	SA57608Y	–	180	–	mV
			SA57608B	–	180	–	mV
			SA57608C	–	150	–	mV
			SA57608D	–	180	–	mV
			SA57608E	–	200	–	mV
			SA57608G	–	200	–	mV
$V_{UV(\text{th})}$	Over-discharge threshold voltage	$V_{CC} : \text{H} \rightarrow \text{L}$	SA57608Y	2.23	2.30	2.37	V
			SA57608B	2.242	2.30	2.358	V
			SA57608C	2.242	2.30	2.358	V
			SA57608D	2.23	2.30	2.37	V
			SA57608E	2.242	2.30	2.358	V
			SA57608G	2.242	2.30	2.358	V
$V_{OC1(\text{th})}$	Overcurrent threshold	$V_{VM} : \text{L} \rightarrow \text{H}$	SA57608Y	120	150	180	mV
			SA57608B	45	75	105	mV
			SA57608C	170	200	230	mV
			SA57608D	170	200	230	mV
			SA57608E	70	100	130	mV
			SA57608G	70	100	130	mV
$V_{OV(\text{rel})}$	Release voltage for over-discharge		4.12	4.17	4.22	V	
$t_{OV(\text{DLY})}$	Over-charge delay time	$C_{TD} = 0.01\text{ }\mu\text{F}$ ; $V_{CC} = 4.0\text{ V to }4.4\text{ V}$	61	77	93	ms	
$t_{OV}$	Over-discharge delay time	$V_{CC} = 3.6\text{ V to }2.2\text{ V}$	5	8	11	ms	
$t_{OC(\text{DLY})}$	Over-current delay time	$V_M : 0\text{ V} \rightarrow 0.5\text{ V}$	9	13	17	ms	
$V_{OC2}$	Short protection voltage	$V_{CC} = 3.0\text{ V}$	$V_{CC}-1.2$	$V_{CC}-0.9$	$V_{CC}-0.6$	V	
$t_{DLY(\text{SC})}$	Short detect delay time	$V_{CC} = 3.0\text{ V}$	–	5	50	ms	
$R_{SC}$	Reset resistance for excess current protection	$V_{CC} = 3.6\text{ V}$ ; $V_M = 1.0\text{ V}$	50	100	150	k $\Omega$	
$V_{CFET(\text{off})}$	Nch ON voltage of CFET	$I_{OL} = 50\text{ mA}$ ; $V_{CC} = 4.4\text{ V}$	–	0.35	0.5	V	
$V_{CFET(\text{on})}$	Pch ON voltage of CFET	$I_{OH} = 50\text{ mA}$ ; $V_{CC} = 3.9\text{ V}$	3.4	3.7	–	V	
$V_{DFET(\text{off})}$	Nch ON voltage of DFET	$I_{OL} = 50\text{ mA}$ ; $V_{CC} = 2.2\text{ V}$	–	0.2	0.5	V	
$V_{DFET(\text{on})}$	Pch ON voltage of DFET	$I_{OH} = 50\text{ mA}$ ; $V_{CC} = 3.9\text{ V}$	3.4	3.7	–	V	

# One-cell Lithium-ion battery protection with over/undercharge and overcurrent protection

SA57608

## TECHNICAL DISCUSSION

### Lithium cell safety

Lithium-ion and lithium-polymer cells have a higher energy density than that of nickel-cadmium or nickel metal hydride cells and have a much lighter weight. This makes the lithium cells attractive for use in portable products. However, lithium cells require a protection circuit within the battery pack because certain operating conditions can be hazardous to the battery or the operator, if allowed to continue.

Lithium cells have a porous carbon or graphite anode where lithium ions can lodge themselves in the pores. The lithium ions are separated, which avoids the hazards of metallic lithium.

If the lithium cell is allowed to become overcharged, metallic lithium plates out onto the surface of the anode and volatile gas is generated within the cell. This creates a **rapid-disassembly hazard** (the battery ruptures). If the cell is allowed to over-discharge ( $V_{cell}$  less than approximately 2.3 V), then the copper metal from the cathode goes into the electrolyte solution. This shortens the cycle life of the cell, but presents no safety hazard. If the cell experiences excessive charge or discharge currents, as happens if the wrong charger is used, or if the terminals short circuit, the internal series resistance of the cell creates heating and generates the volatile gas which could rupture the battery.

The protection circuit continuously monitors the cell voltage for an **overcharged condition** or an **overdischarged condition**. It also continuously monitors the output for an **overcurrent condition**. If any of these conditions are encountered, the protection circuit opens a series MOSFET switch to terminate the abnormal condition. The lithium cell protection circuit is placed within the battery pack very close to the cell.

### Charging control versus battery protection

The battery pack industry does not recommend using the pack's internal protection circuit to end the charging process. The external battery charger should have a charge termination circuit in it, such

as that provided by the SA57611. This provides two levels of overcharge protection, with the primary protection of the external charge control circuit and the backup protection from the battery pack's protection circuit. The charge termination circuit will be set to stop charging at a level around 50 mV less than the overvoltage threshold voltage of the battery pack's own protection circuit.

### Lithium cell operating characteristics

The internal resistance of lithium cells is in the 100 mΩ range, compared to the 5–20 mΩ of the nickel-based batteries. This makes the Lithium-ion and polymer cells better for lower battery current applications (less than 1 ampere) as found in cellular and wireless telephones, palmtop and laptop computers, etc.

The average operating voltage of a lithium-ion or polymer cell is 3.6 V as compared to the 1.2 V of NiCd and NiMH cells. The typical discharge curve for Lithium cell is shown in Figure 3.

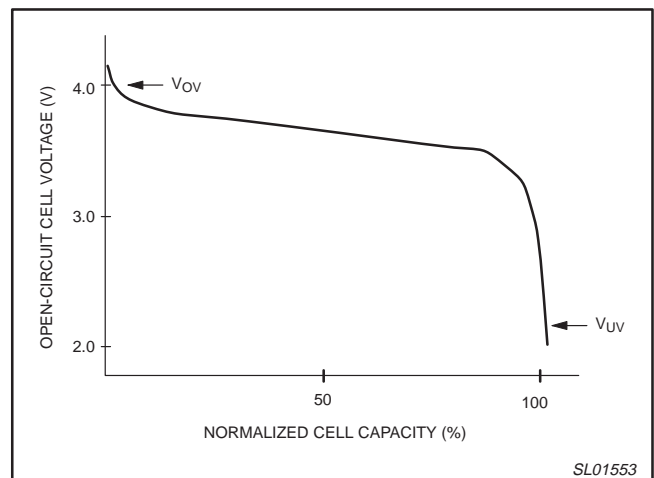


Figure 3. Lithium discharge curve.

# One-cell Lithium-ion battery protection with over/undercharge and overcurrent protection

SA57608

## Charging Lithium cells

The lithium cells must be charged with a dedicated charging IC such as the NE57600. These dedicated charging ICs perform a current-limited, constant-voltage charge, as shown in Figure 4.

The charger IC begins charging with a current that is typically the rating of the cell (1C) or the milliampere rating of the cell. As the cell approaches its full-charge voltage rating ( $V_{OV}$ ), the current entering the cell decreases, and the charger IC provides a constant voltage. When the charge current falls below a preset amount, 50 mA for example, the charge is discontinued.

If charging is begun below the overdischarged voltage rating of the cell, it is important to slowly raise the cell voltage up to this overdischarged voltage level. This is done by a **reconditioning charge**. A small amount of current is provided to the cell (50 mA for example), and the cell voltage is allowed a period of time to rise to the overdischarged voltage. If the cell voltage recovers, then a normal charging sequence can begin. If the cell does not reach the overdischarged voltage level, then the cell is too damaged to charge and the charge is discontinued.

To take advantage of the larger energy density of lithium cells it is important to allow enough time to completely charge the cell. When the charger switches from constant current to constant voltage charge (Point B, Figure 4) the cell only contains about 80 percent of its full capacity. When the cell is 100 mV less than its full rated charge voltage the capacity contained within the cell is 95 percent. Hence, allowing the cell to slowly complete its charge takes advantage of the larger capacity of the lithium cells.

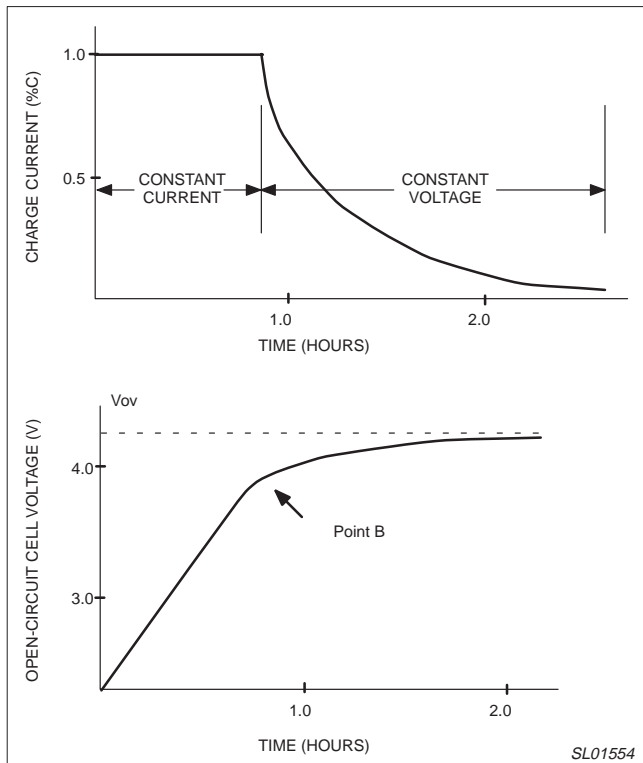


Figure 4. Lithium Cell charging Curves

## SA57608 OPERATION

The SA57608 continuously monitors the terminal voltage and battery pack current of a single Li-ion battery pack. Li-ion cells must be maintained within a set of a very defined operating conditions to operate safely and with a long life. If the cell voltage exceeds the cell's full-charge voltage, the charge current is interrupted. If the cell voltage falls below the overdischarge rating of the cell, the discharge current is interrupted. Also, whenever the discharge current exceeds the threshold voltage across the  $R_{DS(on)}$  of the two MOSFETs, the short-circuit current is interrupted.

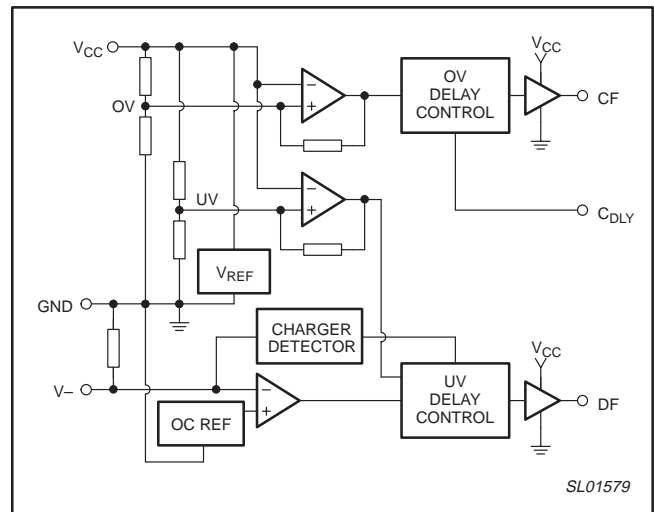


Figure 5. SA57608 block diagram.

## Overvoltage condition

When the cell's terminal voltage exceeds the value of  $V_{OV1}$ , measured from  $V_{CC}$  (pin 5) to GND (pin 6), the overvoltage time delay is initiated. After this time has elapsed, the gate of the charge MOSFET (CF, pin 3) is driven LOW and the charge current is interrupted. The terminal voltage of the cell may immediately fall due to the amount of the charge current times the series resistance of the Li-ion cell ( $I_{chg} \times R_{ESR}$ ). The charge MOSFET will not turn on again until the cell voltage has fallen below  $V_{OV(rel)}$ , or when a load is detected across the battery pack terminals. A load is detected when the VM pin (pin 2) is drawn 0.7 V above the cell's negative terminal (GND, pin 6).

The timing capacitor  $C_{DLY}$  (pin 4) provides a time period between the overvoltage threshold ( $V_{OV1}$ ) being exceeded and when the charge MOSFET is turned off. Its timing period is approximately:

$$t_{DLY} = C_{DLY} (V_{CC} - 0.7 \text{ V}) / 0.43 \mu\text{A} \quad (\text{Equation 1})$$

The variation in timing is approximately  $\pm 16$  percent.

# One-cell Lithium-ion battery protection with over/undercharge and overcurrent protection

SA57608

## Undervoltage condition

When the cell voltage falls below the overdischarge threshold, ( $V_{UV1}$ ), as measured between  $V_{CC}$  (pin 5) and GND (pin 6), the gate of the discharge MOSFET (DF, pin 1) is brought LOW (OFF) after an internal time delay. The SA57608 then assumes a sleep condition where its  $I_{CC}$  assumes a very low state ( $I_{CC(SLP)}$ ). The gate is then brought HIGH (ON) when a charge current is detected, or when the VM pin (pin 2) is brought to 0.7 V higher than the negative terminal of the cell (GND, pin 6) or when the cell voltage is higher than the hysteresis voltage ( $V_{UV2}$ ).

## Discharge overcurrent condition

If a discharge overcurrent condition is experienced as seen when a short-circuit is experienced across the battery terminals, the SA57608 views a high voltage across the MOSFET's  $R_{DS(on)}$ . If this voltage exceeds the threshold voltage ( $V_{SC}$ ), the discharge gate is brought to a LOW condition (OFF) after an internally set of time delays are exceeded. If the overcurrent is LOW, then the  $t_{SC1}$  is enacted. If the overcurrent is higher, as experienced in a hard short-circuit, the time delay is less than 400 ns. This prevents the MOSFETs from failing from an FBSOA failure.

The gate of the discharge MOSFET is turned on again only when the voltage of the VM pin is allowed to fall within the 0.7 volts of the negative terminal of the cell (GND, Pin 6). If the short-circuit persists, the gate of the discharge MOSFET is immediately brought LOW (OFF) again until the short-circuit condition is again removed.

## APPLICATION INFORMATION

The typical single-cell lithium-ion or polymer protection circuit based upon the SA57608 is seen in Figure 6.

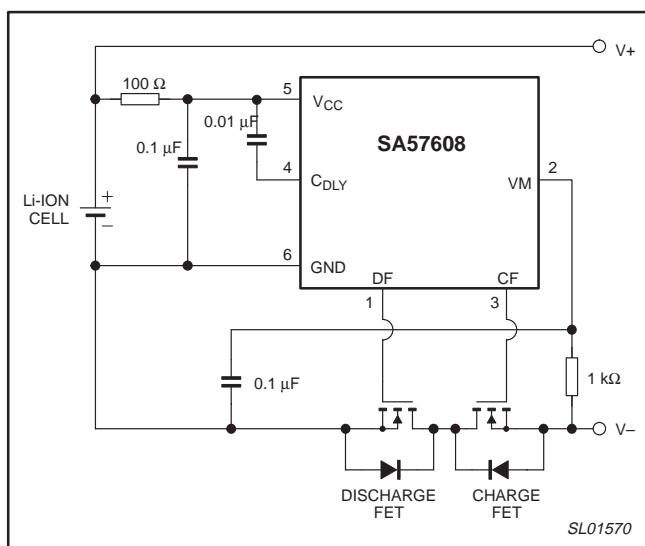


Figure 6. Typical protection circuit

The SA57608 drives the series N-Channel MOSFETs to states determined by the cell's voltage and the battery pack load current. During normal periods of operation, both the discharge and charge MOSFETs are in the ON state, thus allowing bidirectional current flow.

If the battery pack is being charged, and the cell's voltage exceeds the overvoltage threshold, then the charge MOSFET is turned OFF (FET towards the pack's external terminal). The cell's voltage must fall lower than the overvoltage hysteresis voltage ( $V_{OV(Hyst)}$ ) before the charge MOSFET is again turned ON.

If the battery pack is being discharged and the undervoltage threshold ( $V_{UV(Th)}$ ) is exceeded, then the discharge MOSFET is turned OFF. It will not run back ON until a charger is applied to the pack's external terminals **and** the cell's voltage rises above the undervoltage hysteresis voltage ( $V_{UV(Hyst)}$ ).

When the battery pack is being discharged, the load current causes the voltage across the discharge MOSFET to increase past the overcurrent threshold voltage ( $V_{OC(Th)}$ ), then the discharge MOSFET is turned OFF after a fixed 7–18 ms delay. If short-circuit is placed across the pack's terminals, then the discharge MOSFET is turned OFF after a 100–300  $\mu$ s time delay to avoid damaging the MOSFETs.

## The R-C filter on the $V_{CC}$ pin

One needs to place an R-C filters on the  $V_{CC}$  pin. It is to primarily shield the IC from electrostatic occurrences and spikes on the terminals of the battery pack. A secondary need is during the occurrence of a short-circuit across the battery pack terminals. Here, the Li-ion cell voltage could collapse and cause the IC to enter an unpowered state. The R-Cs then provide power during the first instant of the short circuit and allow the IC to turn OFF the discharge MOSFET. The IC can then enter an unpowered state. Lastly, the R-C filter filters any noise voltage caused by noisy load current.

The values shown in Figure 6 are good for these purposes.

## Selecting the Optimum MOSFETs:

For a single-cell battery pack, a logic-level MOSFET should be used. These MOSFETs have turn-on thresholds of 0.9 V and are considered full-ON at 4.5 V VGS. Some problem may be encountered in not having enough gate voltage to fully turn-ON the series MOSFETs over the battery pack's entire operating voltage. If one deliberately selects an N-Channel MOSFET with a much greater current rating, a lower  $R_{DS(on)}$  over the entire range can be attained.

The MOSFETs should have a voltage rating greater than 20 V and should have a high avalanche rating to survive any spikes generated across the battery pack terminals.

The current rating of the MOSFETs should be greater than four times the maximum "C-rating" of the cells. The current rating, though, is more defined by the total series resistance of the battery pack. The total resistance of the battery pack is given by Equation 2.

$$R_{bat(tot)} = R_{DS(on)} + R_{cell} \quad (\text{Equation 2})$$

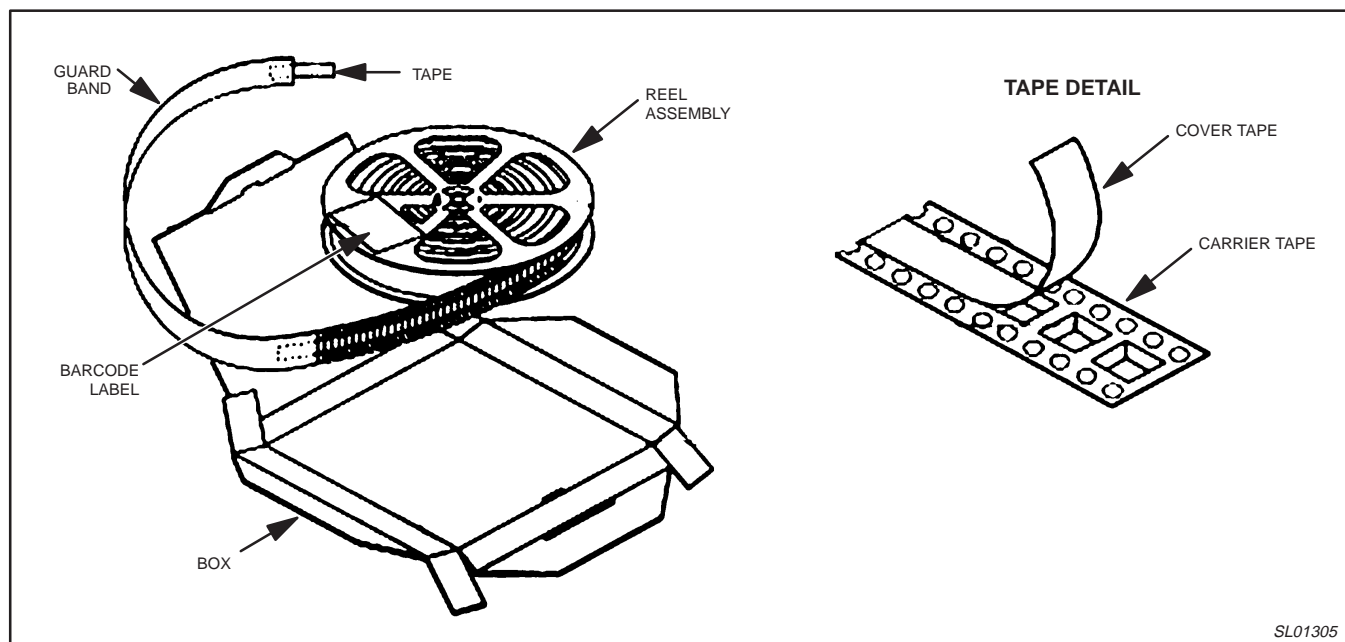
The total pack resistance is typically determined by the system requirements. The total pack resistance directly determines how much voltage droop will occur during pulses in load current.

Another consideration is the forward-biased safe operating area of the MOSFET. During a short-circuit, the discharge current can easily reach 10–15 times the "C-rating" of the cells. The MOSFET must survive this current prior to the discharge MOSFET can be turned OFF. So having an FBSOA envelope that exceeds 20 amperes for 5 ms would be safe.

# One-cell Lithium-ion battery protection with over/undercharge and overcurrent protection

SA57608

## PACKING METHOD



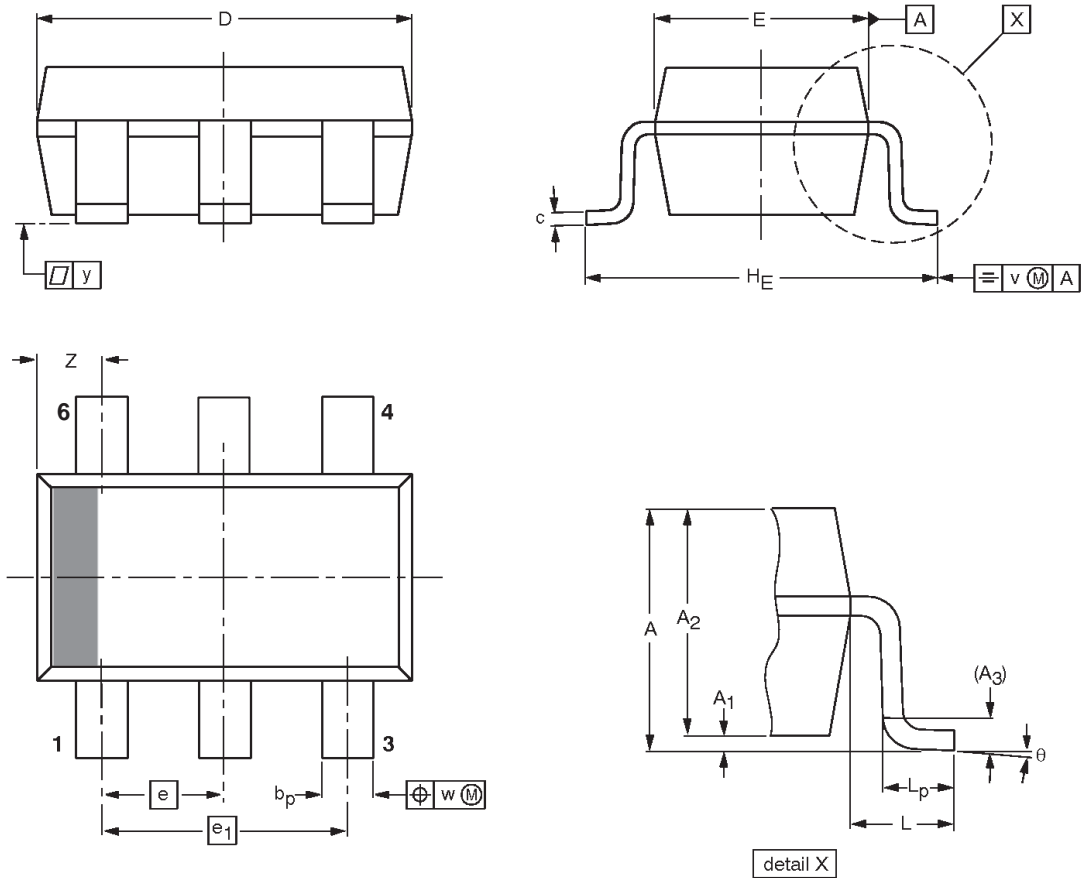
SL01305



# One-cell Lithium-ion battery protection with over/undercharge and overcurrent protection

SA57608

SOT-26A: plastic small outline package; 6 leads; body width 1.8 mm



**DIMENSIONS (mm are the original dimensions)**

UNIT	A max.	A <sub>1</sub>	A <sub>2</sub>	A <sub>3</sub>	b <sub>p</sub>	c	D <sup>(1)</sup>	E <sup>(1)</sup>	e	e <sub>1</sub>	H <sub>E</sub>	L	L <sub>p</sub>			y	θ
mm	1.15	0.05 0.15	1.2 1.0	0.025	0.55 0.41	0.22 0.08	3.00 2.70	1.70 1.50	0.95	1.90	3.00 2.60	0.60	0.55 0.35			0.1	8° 0°

**Note**

1. Plastic or metal protrusions of 0.25 mm maximum per side are not included.

OUTLINE VERSION	REFERENCES			
	IEC	JEDEC	EIAJ	
SOT-26A		MO-178		

# One-cell Lithium-ion battery protection with over/undercharge and overcurrent protection

SA57608

## Data sheet status

Data sheet status <sup>[1]</sup>	Product status <sup>[2]</sup>	Definitions
Objective data	Development	This data sheet contains data from the objective specification for product development. Philips Semiconductors reserves the right to change the specification in any manner without notice.
Preliminary data	Qualification	This data sheet contains data from the preliminary specification. Supplementary data will be published at a later date. Philips Semiconductors reserves the right to change the specification without notice, in order to improve the design and supply the best possible product.
Product data	Production	This data sheet contains data from the product specification. Philips Semiconductors reserves the right to make changes at any time in order to improve the design, manufacturing and supply. Changes will be communicated according to the Customer Product/Process Change Notification (CPCN) procedure SNW-SQ-650A.

[1] Please consult the most recently issued data sheet before initiating or completing a design.

[2] The product status of the device(s) described in this data sheet may have changed since this data sheet was published. The latest information is available on the Internet at URL <http://www.semiconductors.philips.com>.

## Definitions

**Short-form specification** — The data in a short-form specification is extracted from a full data sheet with the same type number and title. For detailed information see the relevant data sheet or data handbook.

**Limiting values definition** — Limiting values given are in accordance with the Absolute Maximum Rating System (IEC 60134). Stress above one or more of the limiting values may cause permanent damage to the device. These are stress ratings only and operation of the device at these or at any other conditions above those given in the Characteristics sections of the specification is not implied. Exposure to limiting values for extended periods may affect device reliability.

**Application information** — Applications that are described herein for any of these products are for illustrative purposes only. Philips Semiconductors make no representation or warranty that such applications will be suitable for the specified use without further testing or modification.

## Disclaimers

**Life support** — These products are not designed for use in life support appliances, devices or systems where malfunction of these products can reasonably be expected to result in personal injury. Philips Semiconductors customers using or selling these products for use in such applications do so at their own risk and agree to fully indemnify Philips Semiconductors for any damages resulting from such application.

**Right to make changes** — Philips Semiconductors reserves the right to make changes, without notice, in the products, including circuits, standard cells, and/or software, described or contained herein in order to improve design and/or performance. Philips Semiconductors assumes no responsibility or liability for the use of any of these products, conveys no license or title under any patent, copyright, or mask work right to these products, and makes no representations or warranties that these products are free from patent, copyright, or mask work right infringement, unless otherwise specified.

## Contact information

For additional information please visit  
<http://www.semiconductors.philips.com>. Fax: +31 40 27 24825

© Koninklijke Philips Electronics N.V. 2001  
 All rights reserved. Printed in U.S.A.

Date of release: 10-01

For sales offices addresses send e-mail to:  
[sales.addresses@www.semiconductors.philips.com](mailto:sales.addresses@www.semiconductors.philips.com)

Document order number:

9397 750 08994

*Let's make things better.*